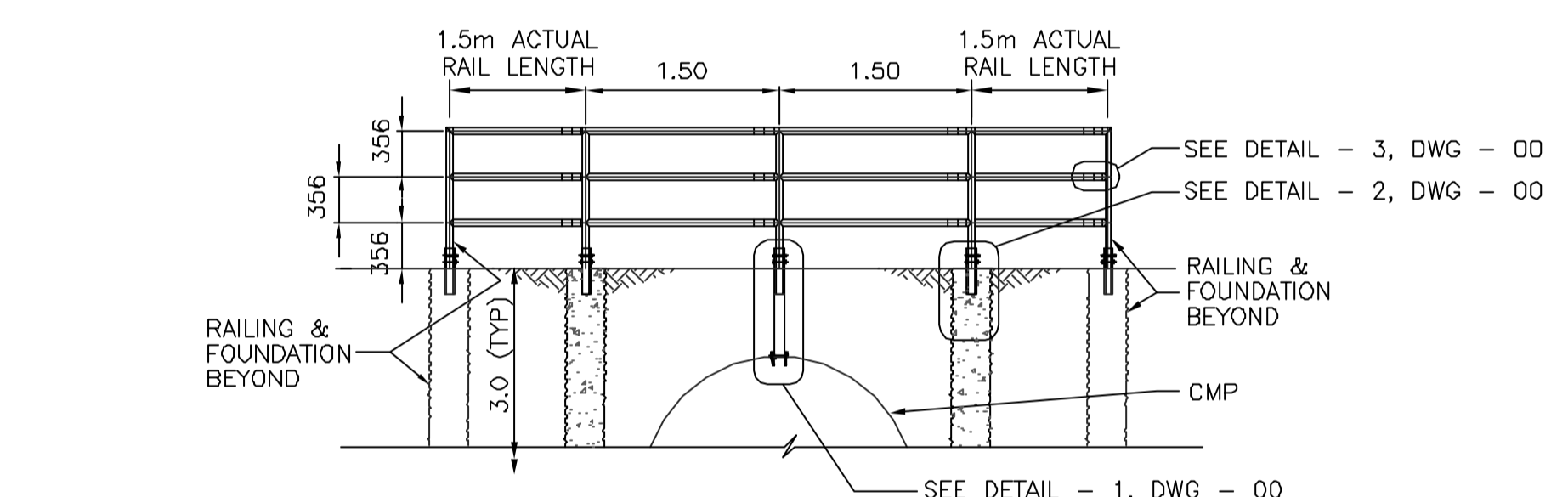
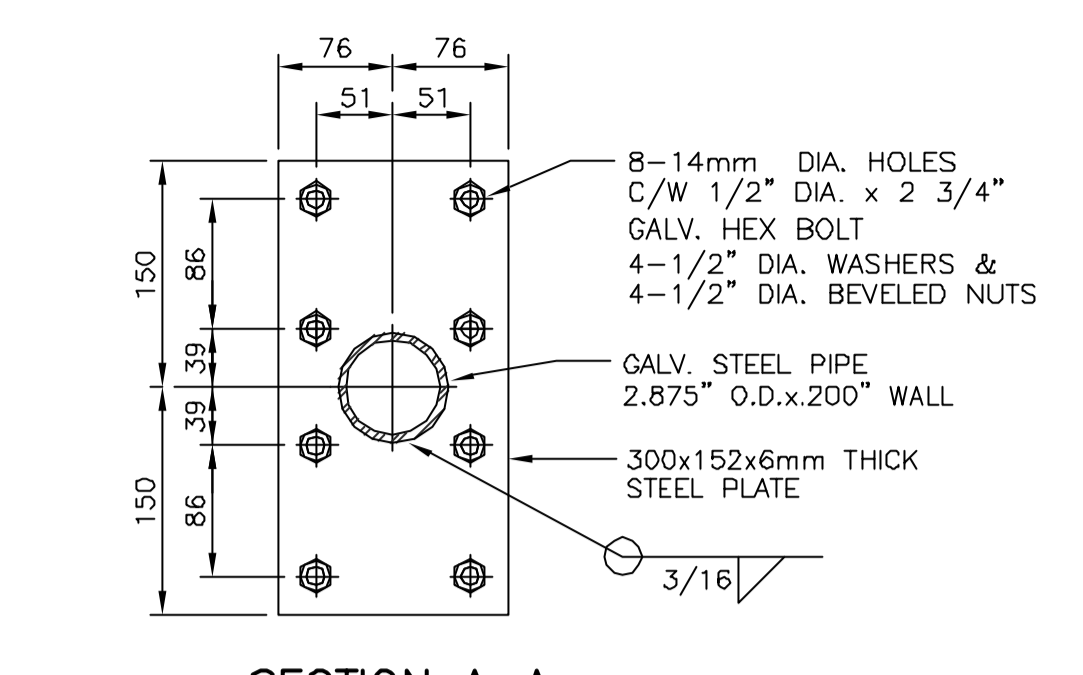


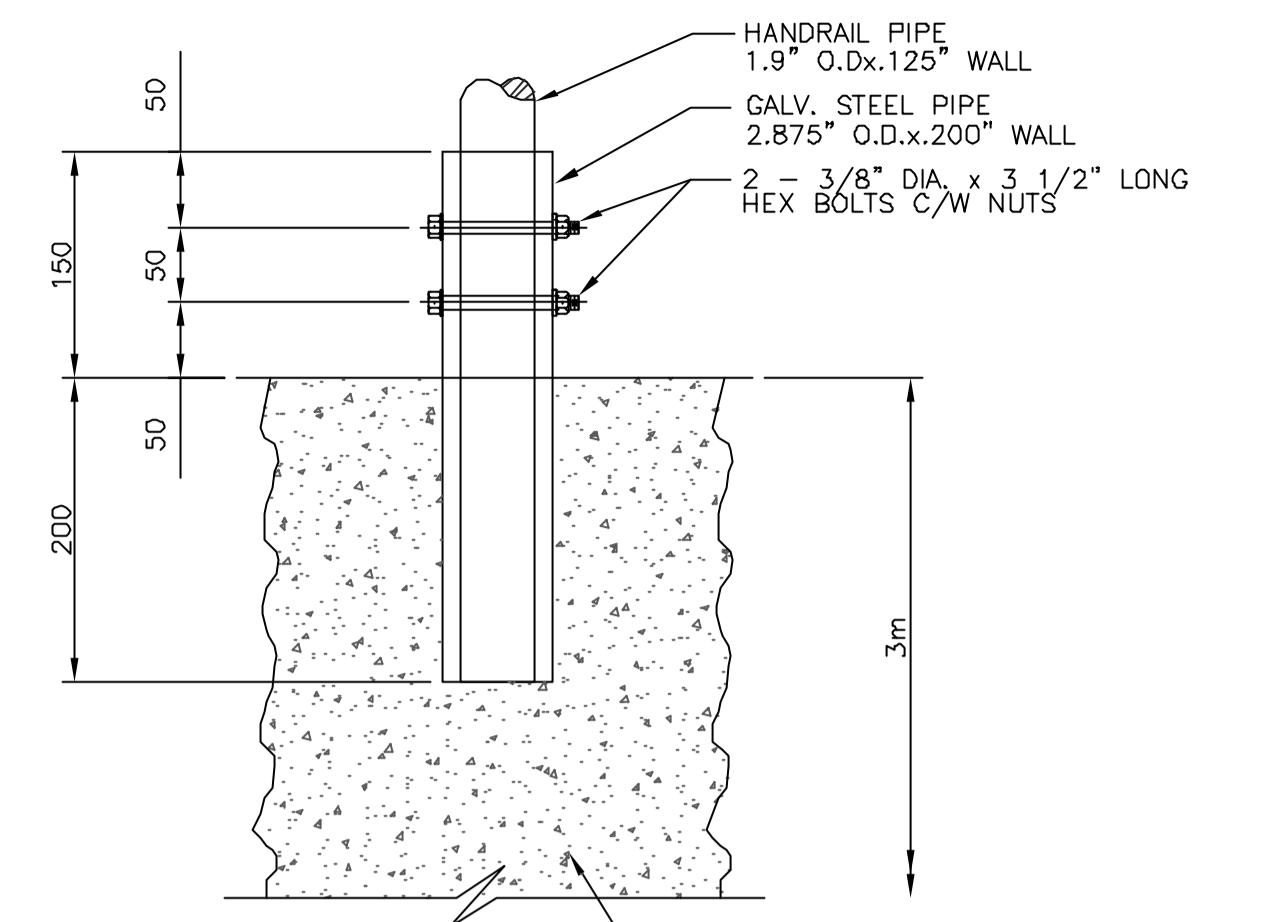
A SECTION
00 SCALE: 1:50



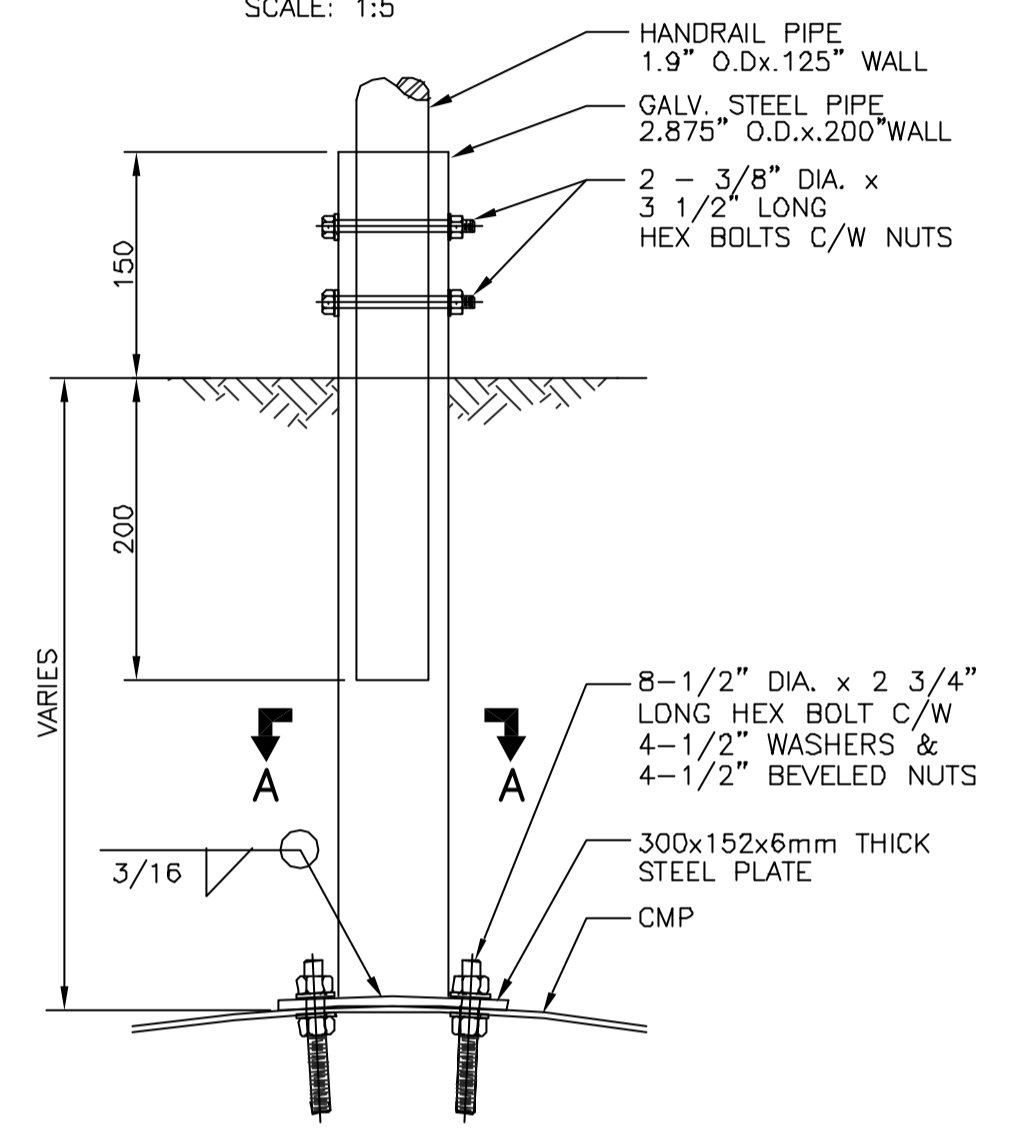
A SECTION
00 SCALE: 1:50



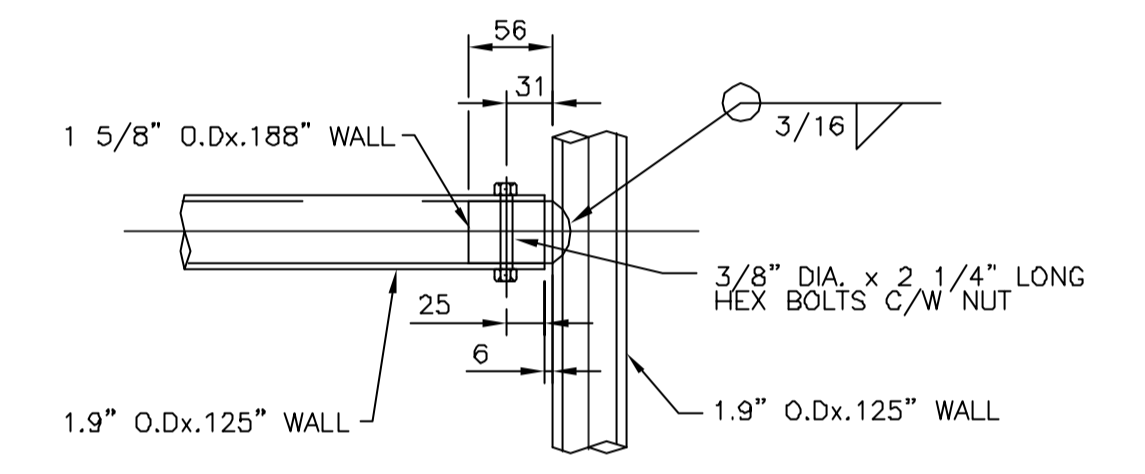
SECTION A-A
SCALE: 1:5



2 DETAIL
SCALE: 1:5



1 DETAIL
SCALE: 1:5



3 DETAIL
SCALE: 1:5

WARNING

IF POWER EQUIPMENT OR EXPLOSIVES ARE TO BE USED FOR EXCAVATION ON THIS PROJECT THE CONTRACTOR MUST:
 1) NOTIFY THE GAS COMPANY OF THE PROPOSED LOCATION OF EXCAVATION.
 2) TAKE PRECAUTION TO AVOID DAMAGE TO GAS COMPANY INSTALLATIONS.
 SEE PROVINCIAL REGULATION 210/72 FOR DETAILS.

METRIC

WHOLE NUMBERS INDICATE MILLIMETRES
 DECIMALIZED NUMBERS INDICATE METRES



THE CITY OF WINNIPEG
 WATER & WASTE DEPARTMENT

OUTFALL REPAIRS
HAND RAIL DETAILS
 PROPOSED UPGRADING DETAILS

SHEET 07 OF 07
 CAD FILE DRAWING NUMBER 03-107-05-DETAILS_rev1
 CITY DRAWING NUMBER LD-2989

LOCATION APPROVED UNDERGROUND STRUCTURES

SUPV. U/G STRUCTURES COMMITTEE	DATE

NOTE:
 LOCATION OF UNDERGROUND STRUCTURES AS SHOWN ARE BASED ON THE BEST INFORMATION AVAILABLE BUT NO GUARANTEE IS GIVEN THAT ALL EXISTING UTILITIES ARE SHOWN OR THAT THE GIVEN LOCATIONS ARE EXACT. CONFIRMATION OF EXISTENCE AND EXACT LOCATION OF ALL SERVICES MUST BE OBTAINED FROM THE INDIVIDUAL UTILITIES BEFORE PROCEEDING WITH CONSTRUCTION.

NO.	REVISIONS	DATE	BY
1	ADDENDUM 1	15/01/04	DGC
D	ISSUED FOR TENDER	06/01/04	DGC
A	ISSUED FOR REVIEW	22/12/03	DGC

KGS GROUP CONSULTING ENGINEERS & PROJECT MANAGERS
 WINNIPEG (204) 896-1209
 THUNDER BAY (807) 345-2233

DESIGNED BY: D.G.G.	CHECKED BY: R.J.H.
DRAWN BY: D.W. A.M.	APPROVED BY:
HOR. SCALE: AS NOTED	RELEASED FOR CONSTRUCTION:
VERTICAL:	DATE: DECEMBER 2003

ENGINEER'S SEAL

 CONSULTANT DRAWING NO. 03-107-05_07