

Field Notes for Installation:

At property line between 79 & 83 Smith.

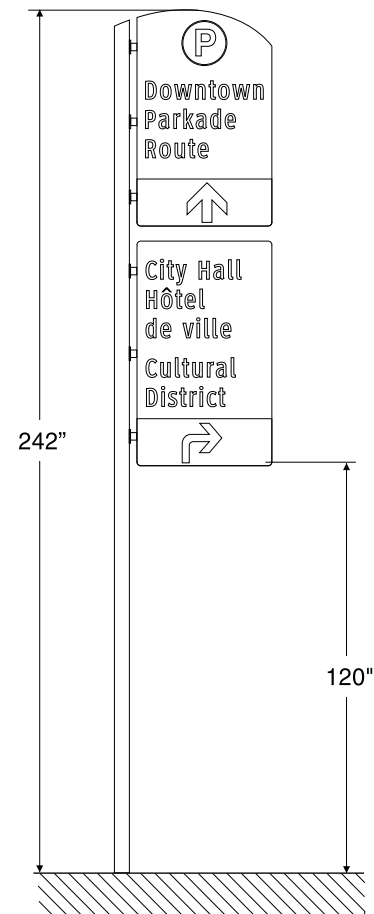
Pole Site Location E/S Smith St north of Navy Wy

Sign Panel	Panel Type
------------	------------

Sm1-U	D "P"
--------------	--------------

Sm1-L	C lower
--------------	----------------

Pole Type	D+C
-----------	------------



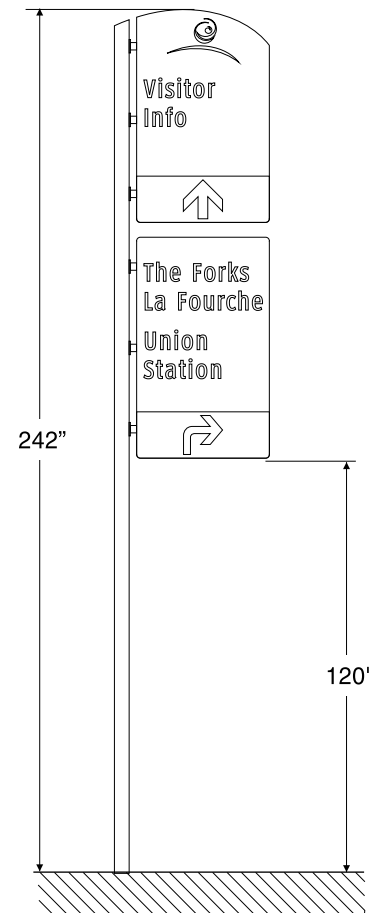


Field Notes for Installation:

At One-Way sign pole just before alley.

Pile Site Location E/S Smith St at alley north of Navy Wy

Sign Panel	Panel Type
Sm2-U	D logo
Sm2-L	C lower
Pole Type	D+C





Field Notes for Installation:

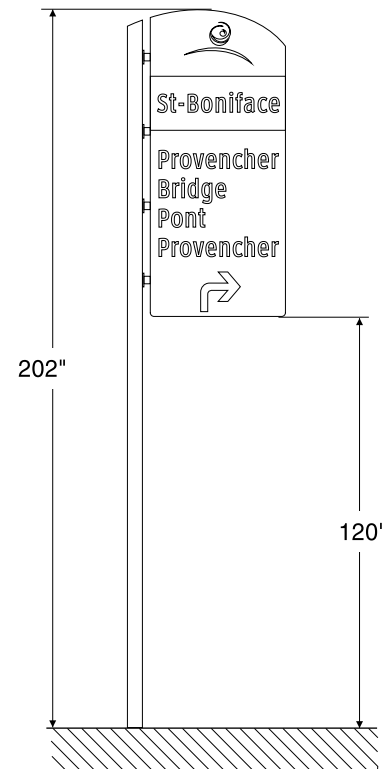
At "No Stopping" sign just before Broadway.

Pole Site Location E/S Smith St south of Broadway

Sign Panel Panel Type

Sm3 **B logo**

Pole Type **B**



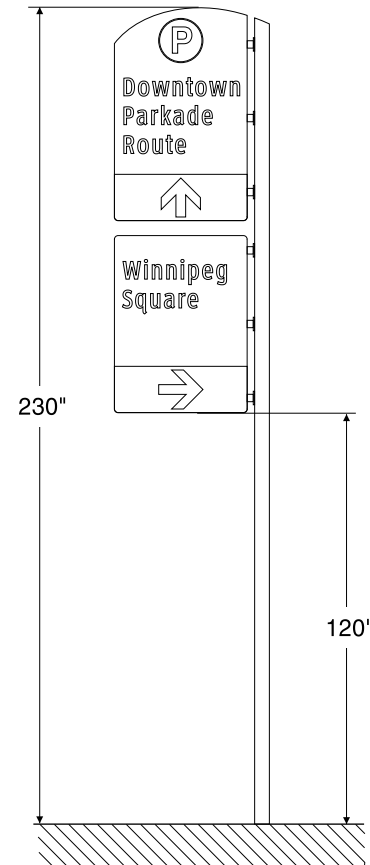


Field Notes for Installation:

12' beyond fire hydrant, before 2nd tree after Broadway — sewer line means right pole installation sign cantilevered left.

Pole Site Location E/S Smith St south of York Av

Sign Panel	Panel Type
Sm4-U	D "P" R
Sm4-L	D lower R
Pole Type	D+D





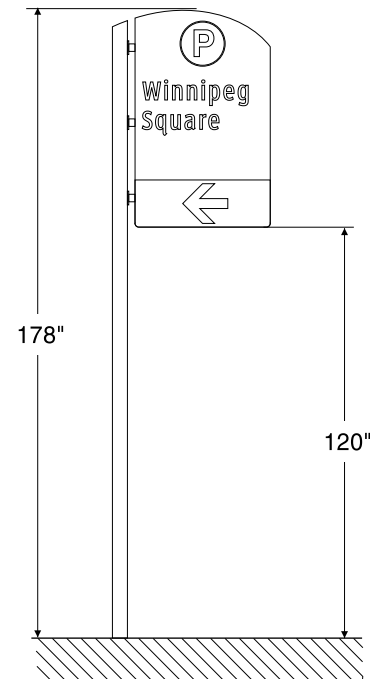
Field Notes for Installation:

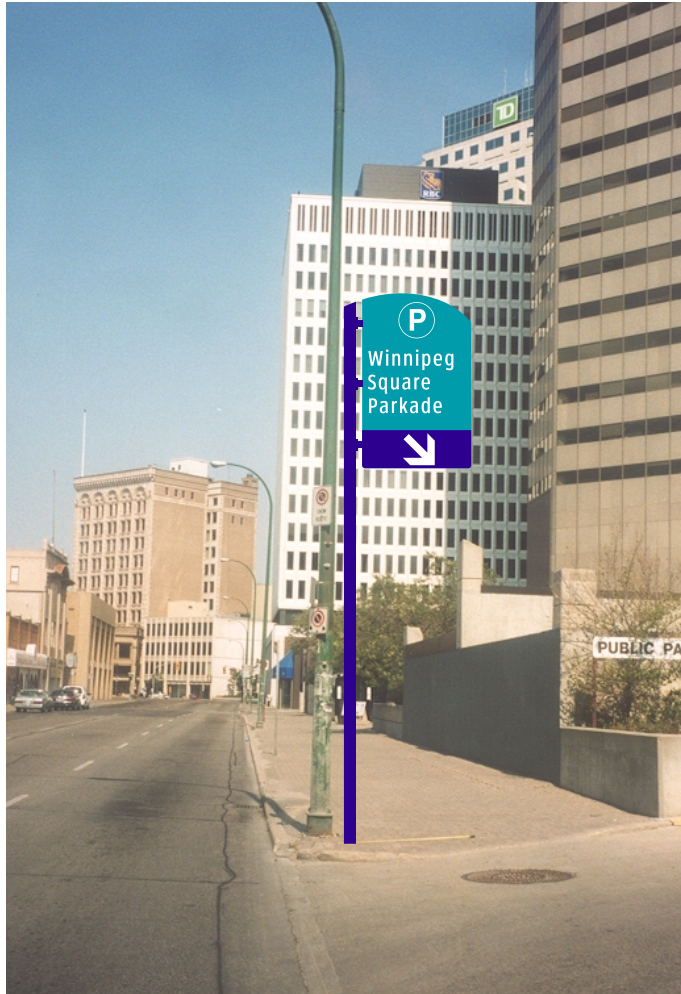
In front of green light pole after alley (only on 1/2 block).

Pole Site Location S/S York Av east of Garry St

Sign Panel	Panel Type
Sm4-F1	D "P"

Pole Type **D**





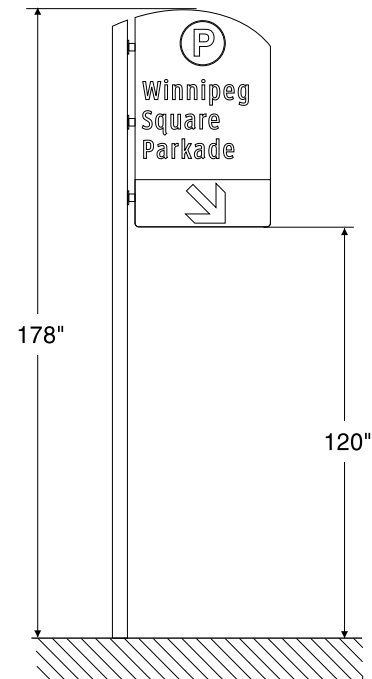
Field Notes for Installation:

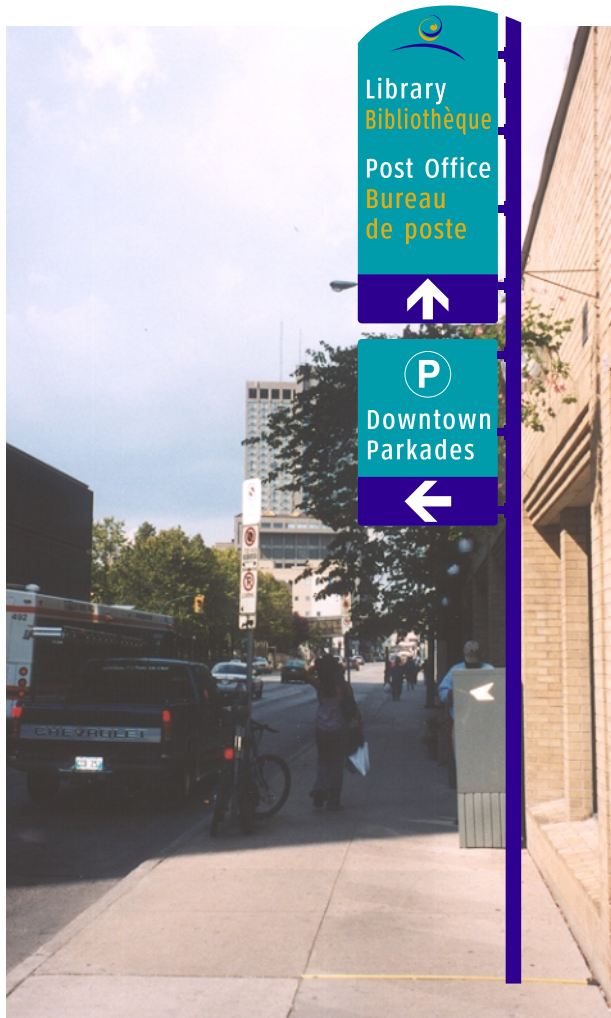
In front of green light pole, just after driveway entrance to parking.

Pole Site Location E/S Fort St north of Graham Av

Sign Panel	Panel Type
Sm4-F2	D "P"

Pole Type	D
-----------	----------



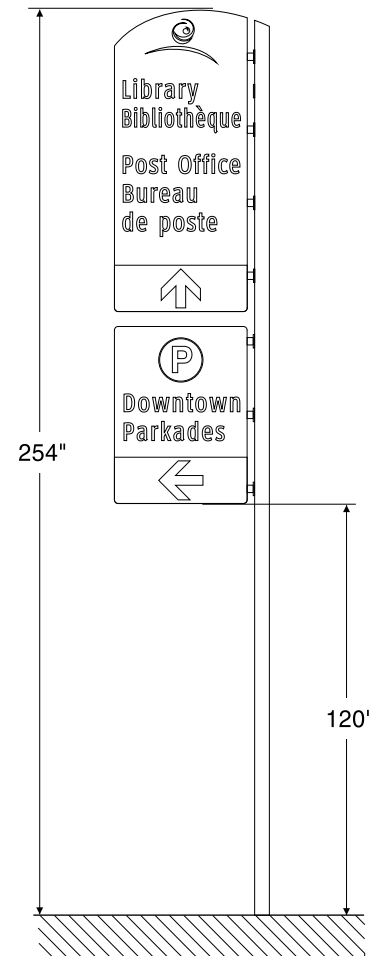


Field Notes for Installation:

Directly opposite entrance to Place Louis Riel, right pole/
left sign because of sewer line.

Pole Site Location E/S Smith St south of St Mary Av

Sign Panel	Panel Type
Sm5-U	B logo R
Sm5-L	D lower R
Pole Type	B+D





Field Notes for Installation:

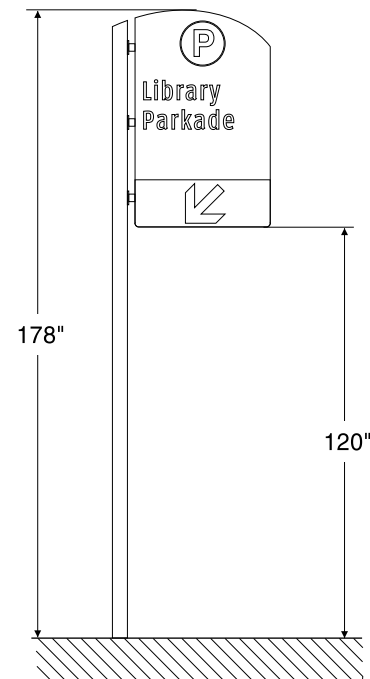
Beyond driveway entrance, behind retaining wall, so that sign edge is 2' from street curb edge.

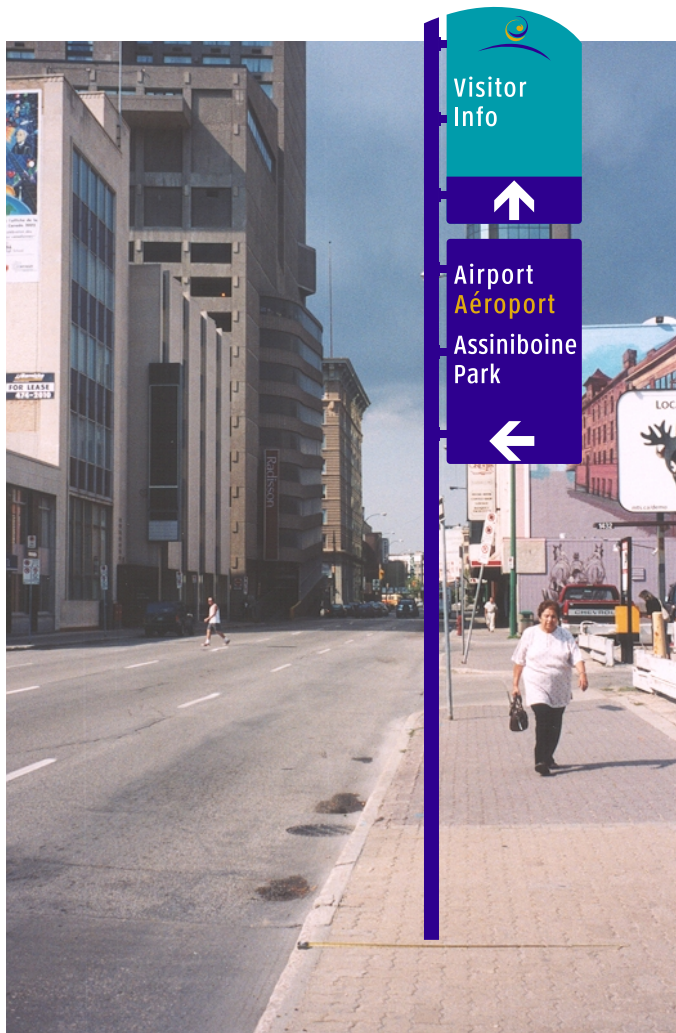
Pole Site Location W/S Smith St north of St Mary Av

Sign Panel Panel Type

Sm5-F **D "P"**

Pole Type **D**



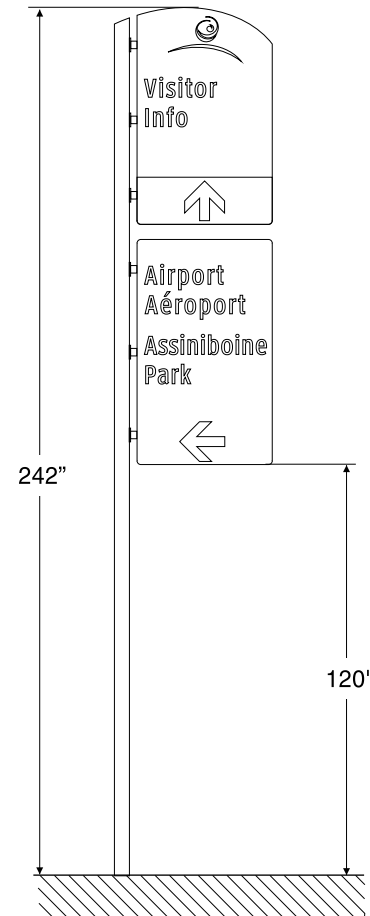


Field Notes for Installation:

At right-mounted “No Stopping” sign, before lot pull-in beyond green light pole.

Pole Site Location E/S Smith St north of Graham Av

Sign Panel	Panel Type
Sm6-U	D logo
Sm6-L	C lower
Pole Type	D+C





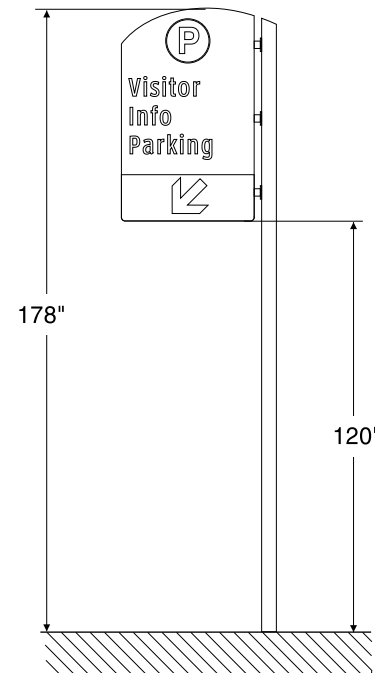
Pole Site Location W/S Smith St north of Portage Av

Sign Panel	Panel Type
Sm6-F	D "P" R

Pole Type	D
-----------	----------

Field Notes for Installation:

Just past driveway entrance to garage.
 Watch overhead illuminated parking sign.
 Pole to right, sign mounts to left.





Field Notes for Installation:

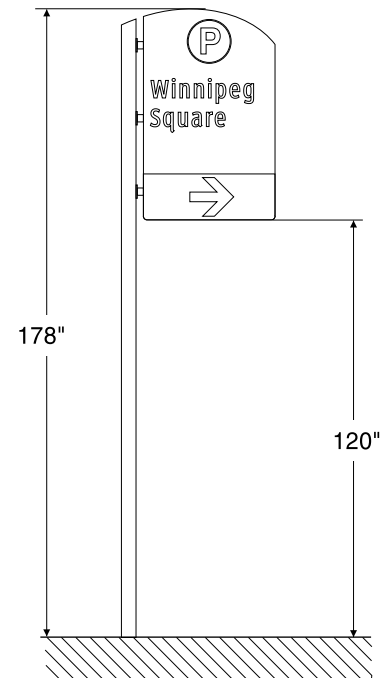
At transit sign, 68' from Fort Street.

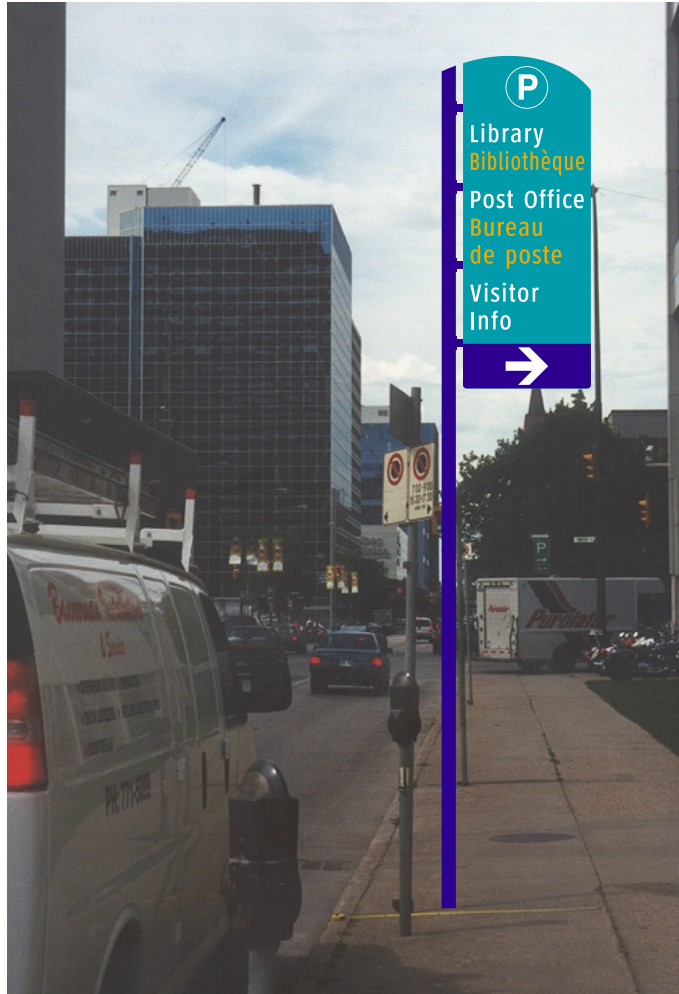
Pole Site Location N/S St Mary Av west of Main St

Sign Panel Panel Type

St1 **D "P"**

Pole Type **D**





Field Notes for Installation:

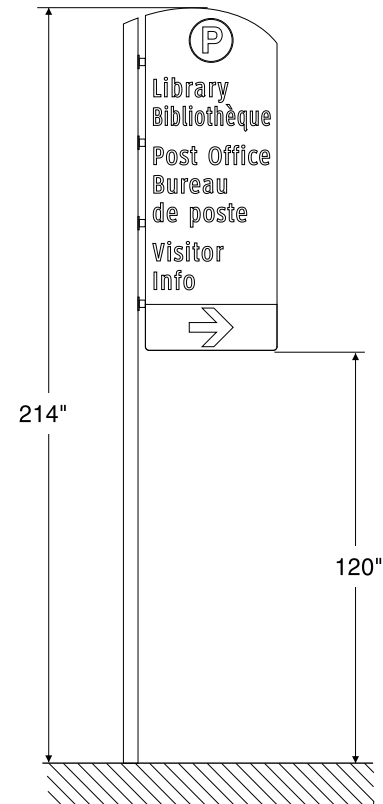
At "One-Way/No Stopping" pole, 124' back from corner.

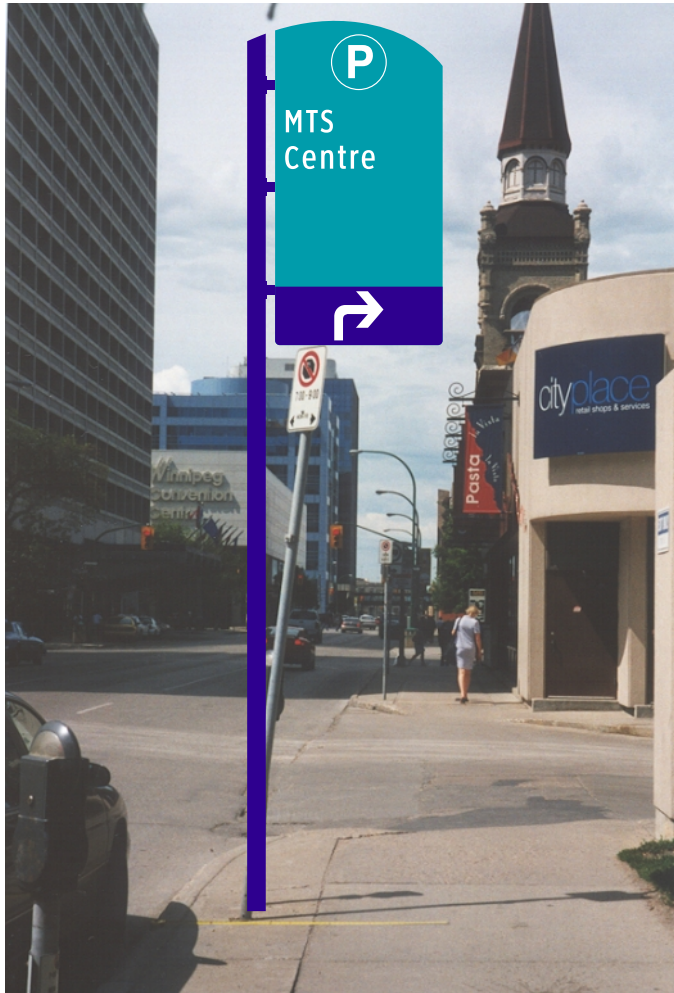
Pole Site Location N/S St Mary Av east of Smith St

Sign Panel Panel Type

St2 **A "P"**

Pole Type **A**





Field Notes for Installation:

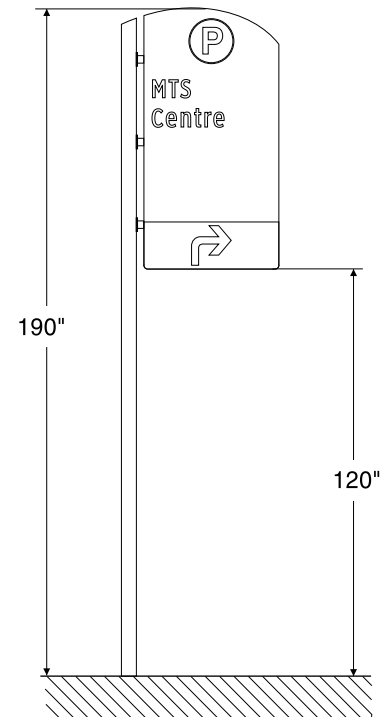
Just before cityplace exit, at One-Way sign pole.

Pole Site Location N/S St Mary Av east of Hargrave St

Sign Panel	Panel Type
------------	------------

St3	C "P"
------------	--------------

Pole Type	C
-----------	----------



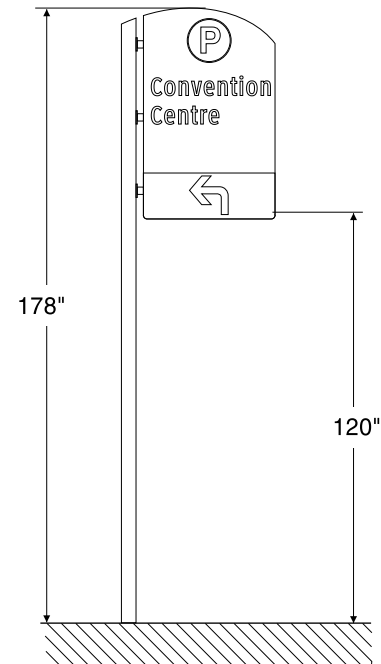


Pole Site Location N/S St Mary Av east of Carlton St

Sign Panel Panel Type

St4 **D "P"**

Pole Type **D**



Field Notes for Installation:

½-way between 2nd & 3rd light poles back from Carlton.
 Because of possible confusion with entrance to Delta parking, use Bent Arrow Left.



Field Notes for Installation:

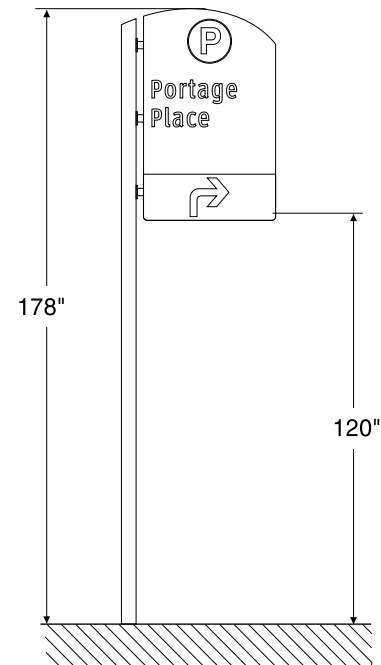
At “No Parking/No Stopping” sign, 50' before driveway.

Pole Site Location N/S St Mary Av west of Kennedy St

Sign Panel Panel Type

St5 **D “P”**

Pole Type **D**





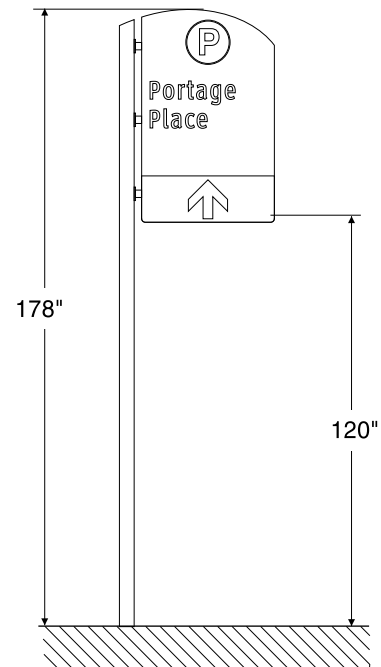
Field Notes for Installation:

In front of tree just after lot driveway.

Pole Site Location E/S Vaughan St south of Portage Av

Sign Panel	Panel Type
St5-F	D "P"

Pole Type **D**





Field Notes for Installation:

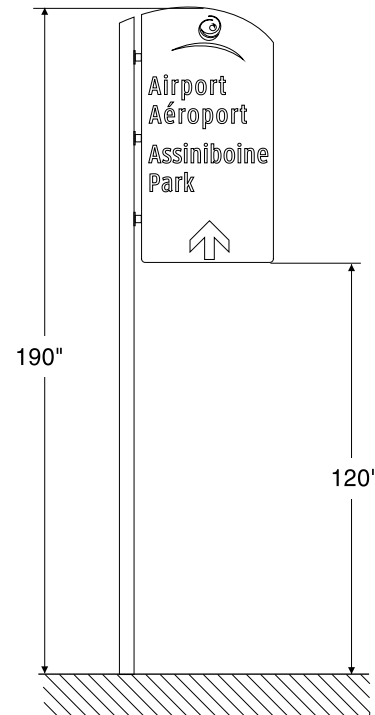
10' before driveway, at old pole site.

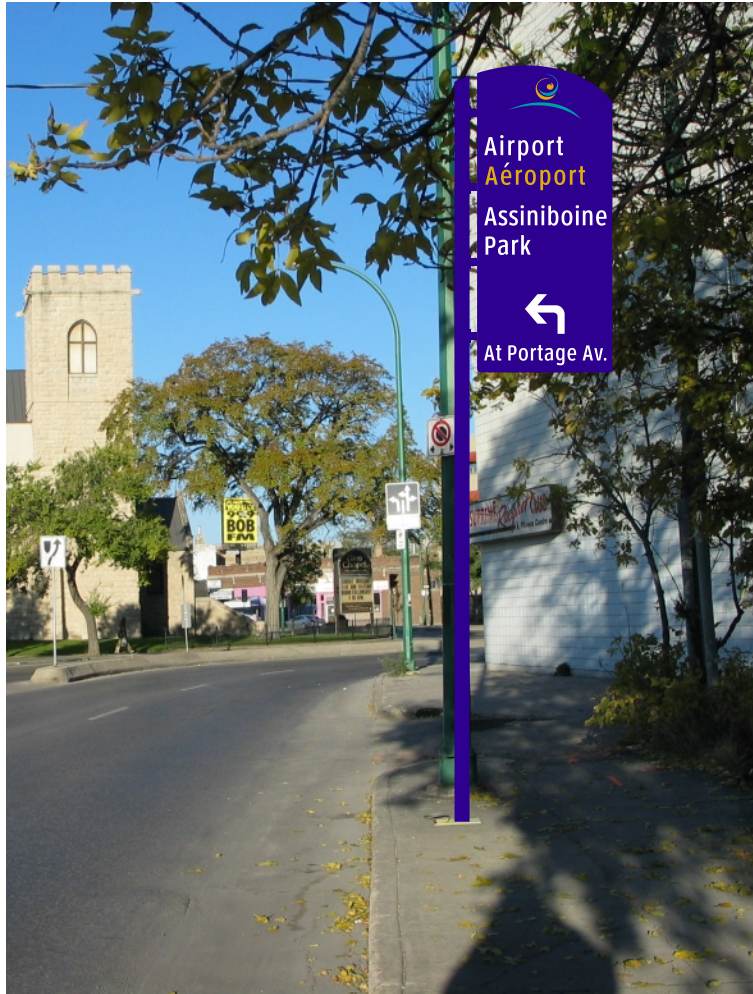
Pole Site Location N/S St Mary Av east of Vaughan St

Sign Panel Panel Type

St6 **C logo**

Pole Type **C**





Field Notes for Installation:

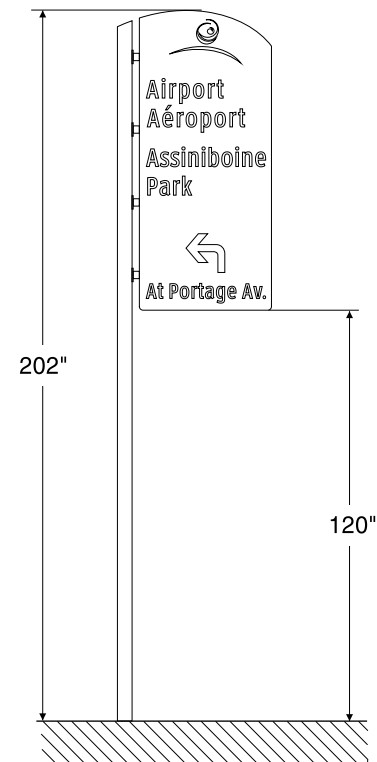
6' before green pole before driveway behind (defunct) Supreme Racquet Club building, before green pole with lane control sign.

Pile Site Location N/S St Mary Av east of Balmoral St

Sign Panel Panel Type

St6-F **B logo**

Pole Type **B**





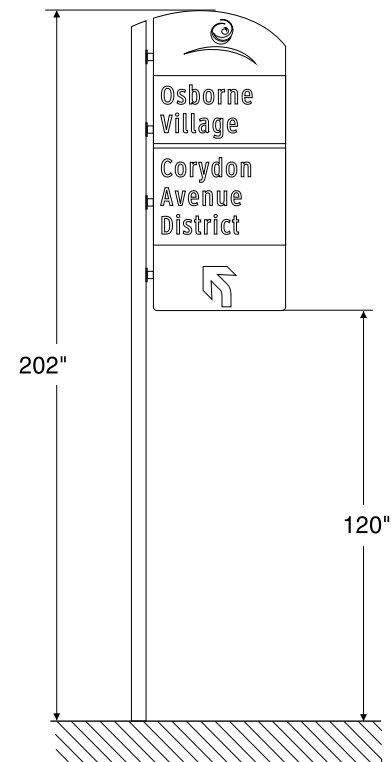
Field Notes for Installation:
140' back from Memorial.

Pole Site Location N/S St Mary Av west of Vaughan St

Sign Panel	Panel Type
------------	------------

St7	B logo
------------	---------------

Pole Type	B
-----------	----------





Field Notes for Installation:

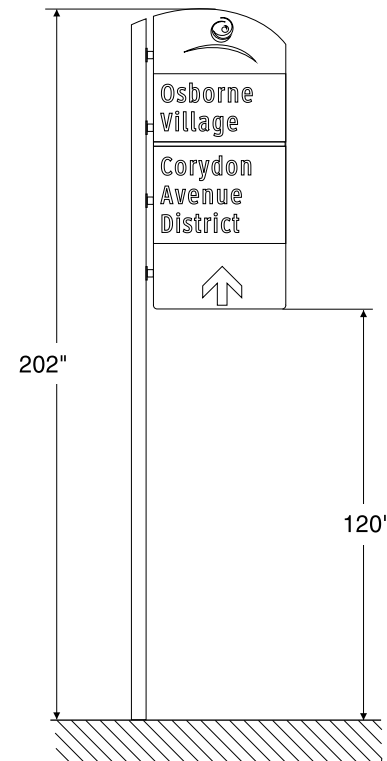
Install 6' in front of 4th green light pole back from Broadway.

Pole Site Location W/S Osborne St north of Broadway

Sign Panel Panel Type

St7-F **B logo**

Pole Type **B**

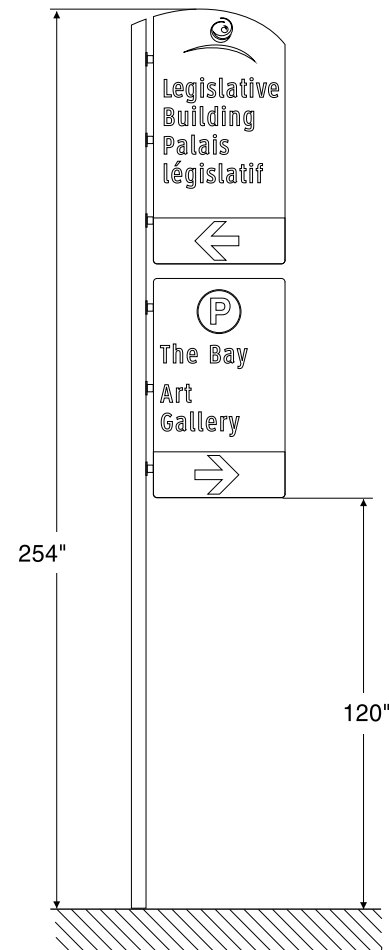


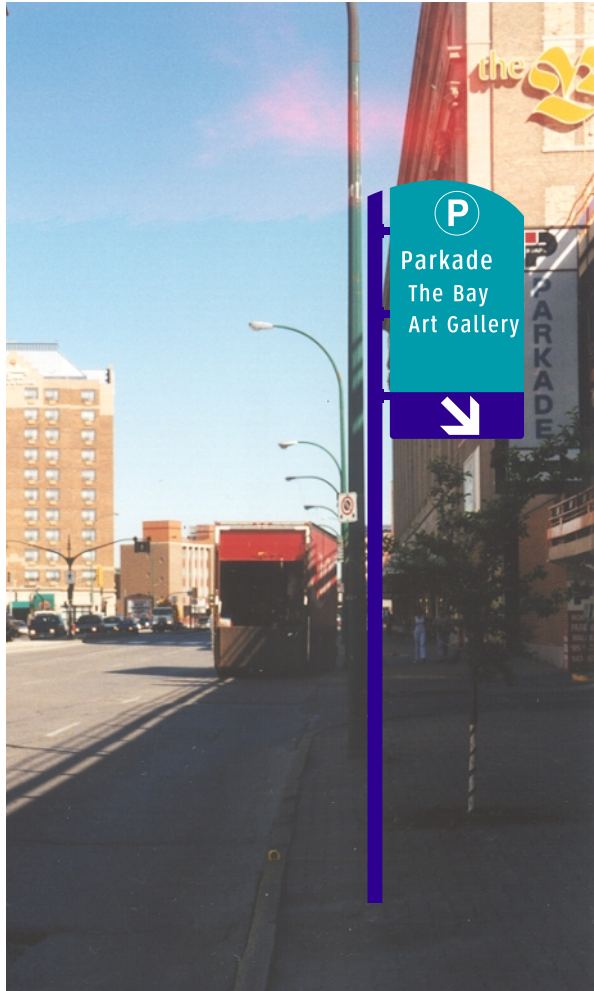


Field Notes for Installation:
70' back from Memorial.

Pole Site Location N/S St Mary Av east of Memorial Blv

Sign Panel	Panel Type
St8-U	C logo
St8-L	C lower
Pole Type	C+C





Field Notes for Installation:

Before tree before driveway into Bay parkade.

Pole Site Location E/S Memorial Blv north of St Mary Av

Sign Panel Panel Type

St8-F **C "P"**

Pole Type **C**

