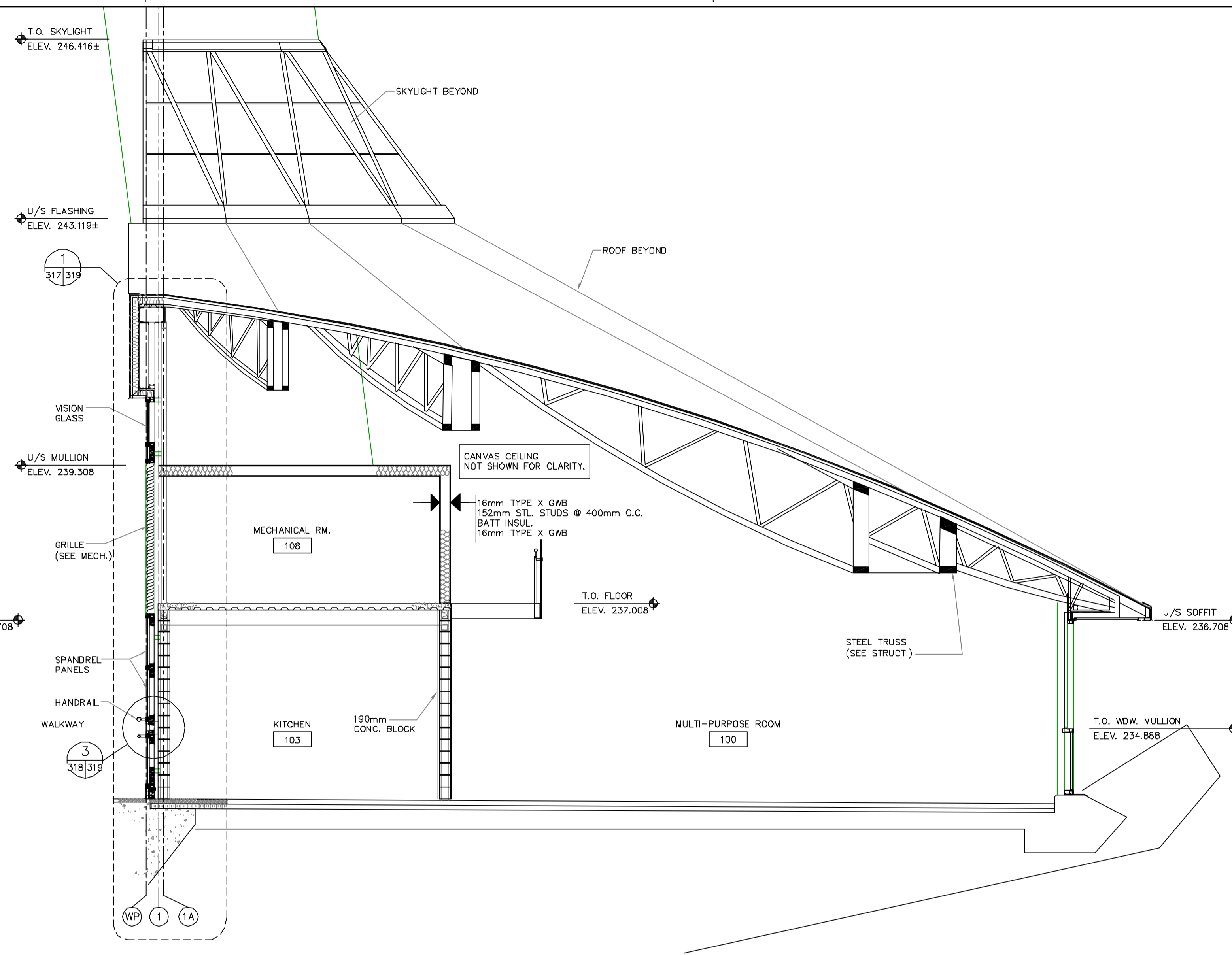
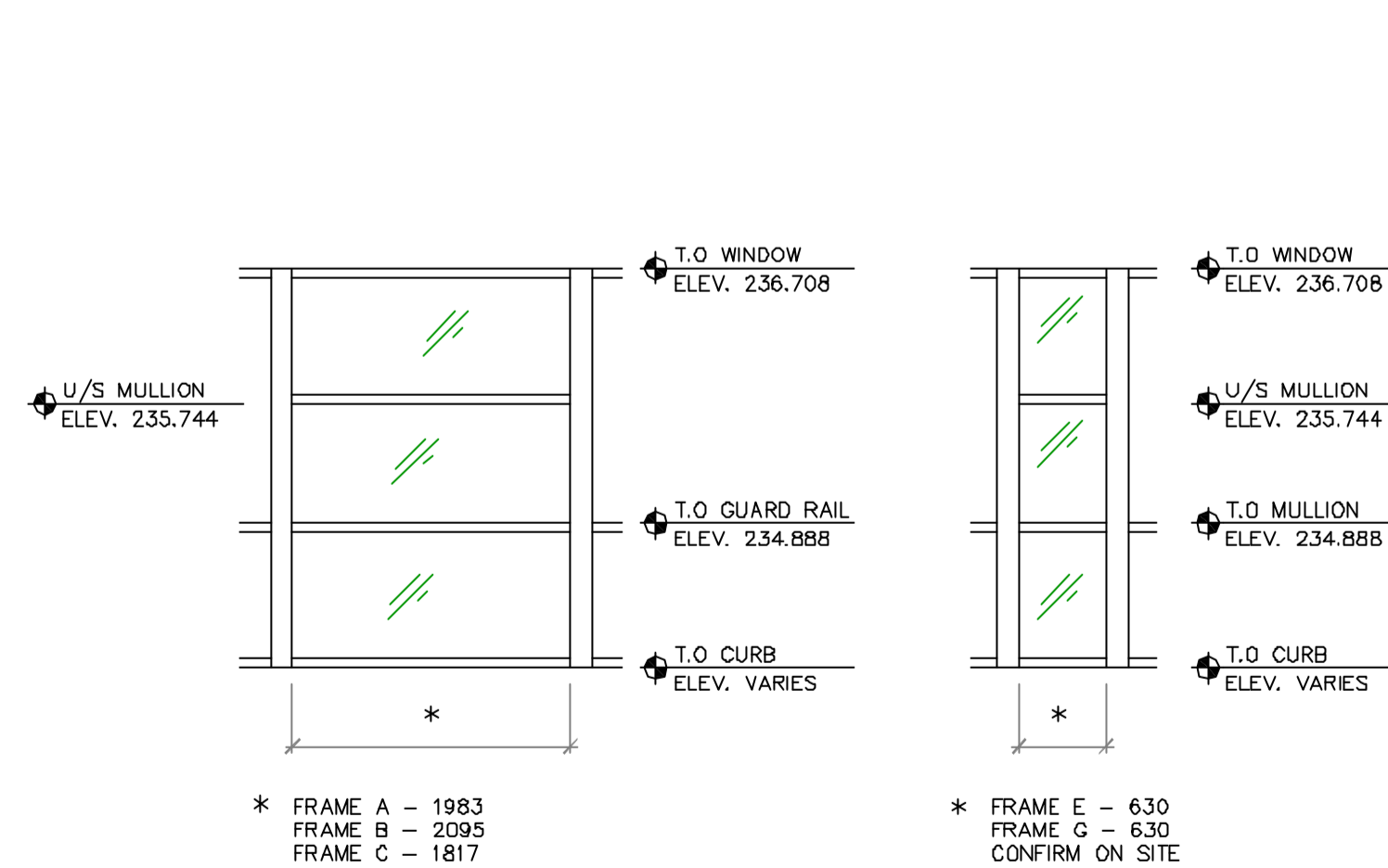


1 SECTION THRU KITCHEN/MECH. ROOM
316/317 1:50

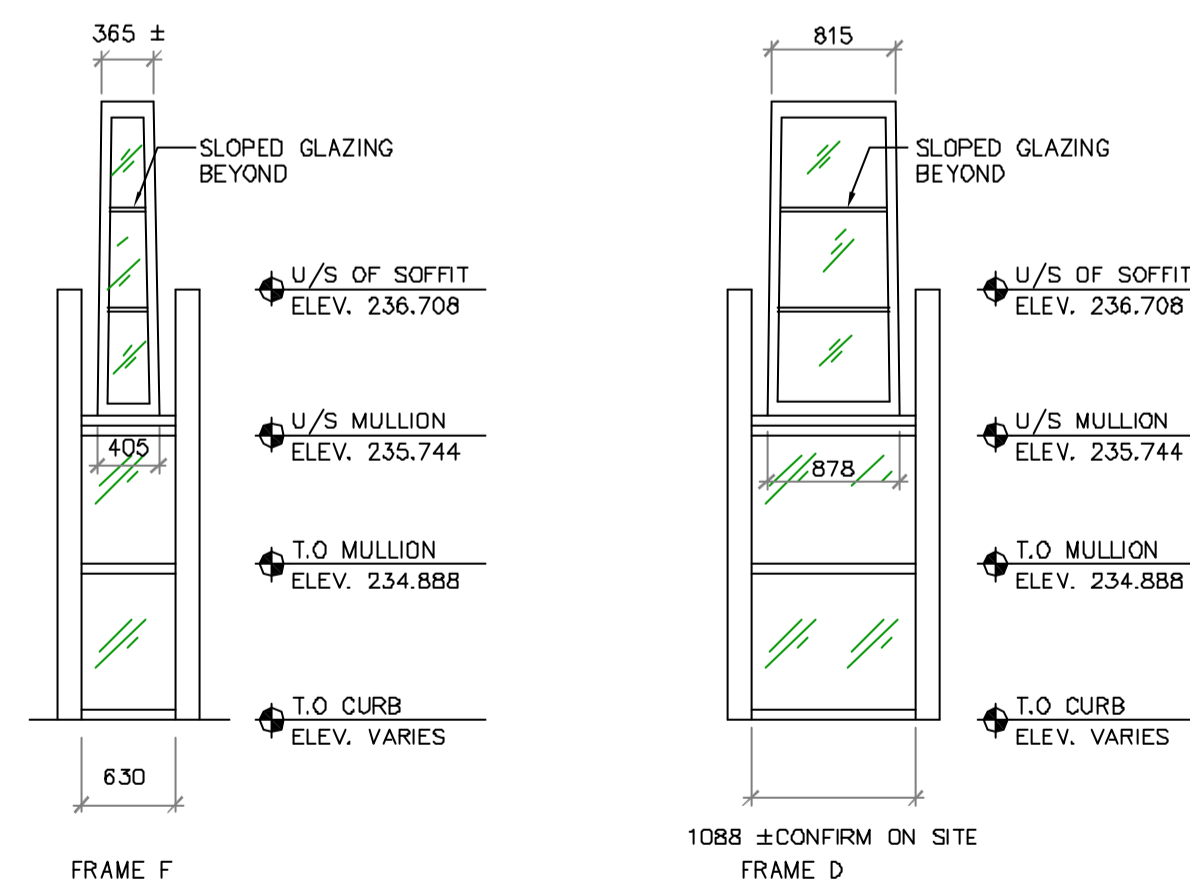


2 SECTION THRU KITCHEN/MECH. ROOM
316/317 1:50

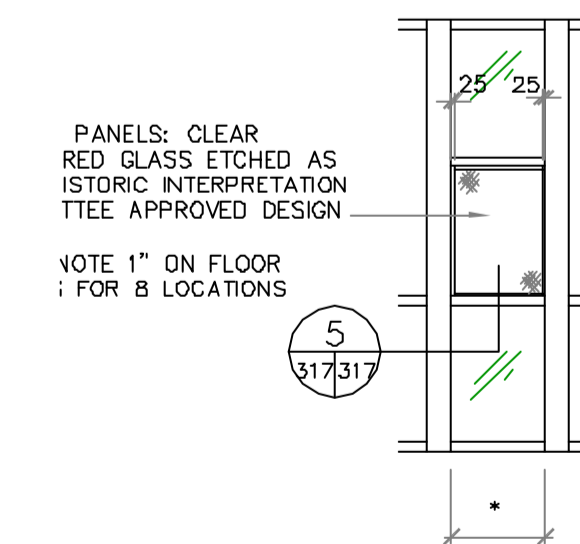


* FRAME A - 1983
FRAME B - 2095
FRAME C - 1817

* FRAME E - 630
FRAME G - 630
CONFIRM ON SITE

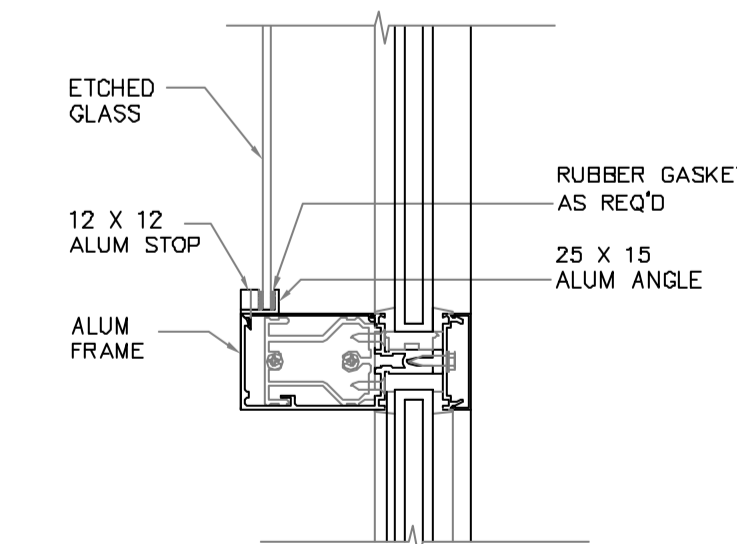


1088 ± CONFIRM ON SITE
FRAME D



PANELS: CLEAR
RED GLASS ETCHED AS
HISTORIC INTERPRETATION
TTEE APPROVED DESIGN
NOTE 1" ON FLOOR
FOR B LOCATIONS

4 ELEVATION
316/317 1:50



5 SECTION
3/3 1:5

3 REVISED WINDOW SCHEDULE
317/317 1:50

ISSUED FOR
INFORMATION ONLY
NOT TO BE USED FOR CONSTRUCTION

Gaboury
Préfontaine
Perry
architect.e.s

B.M. ELEV.	F.B.	WARDROP Engineering Inc.	
		DESIGNED BY E.J.G. Y.L.	CHECKED BY E.J.G.
		DRAWN BY C.B. H.V. Y.L.	APPROVED BY R.V.G.
		ACCEPTED BY DATE	
1	ISSUED FOR CONSTRUCTION	03.08.11	EJL
0	ISSUED FOR PCN 25	03.07.24	
NO.	REVISIONS	DATE	BY
		DATE 03.06.13	

THE CITY OF WINNIPEG PUBLIC WORKS DEPARTMENT ENGINEERING DIVISION		CITY DRAWING NUMBER
PROVENCHER PAIRED BRIDGES PROJECT PEDESTRIAN BRIDGE		SHEET OF
CENTRE PLAZA ENCLOSURE BUILDING SECTIONS		317
CONSULTANT DRAWING NO. 010007-13-01		