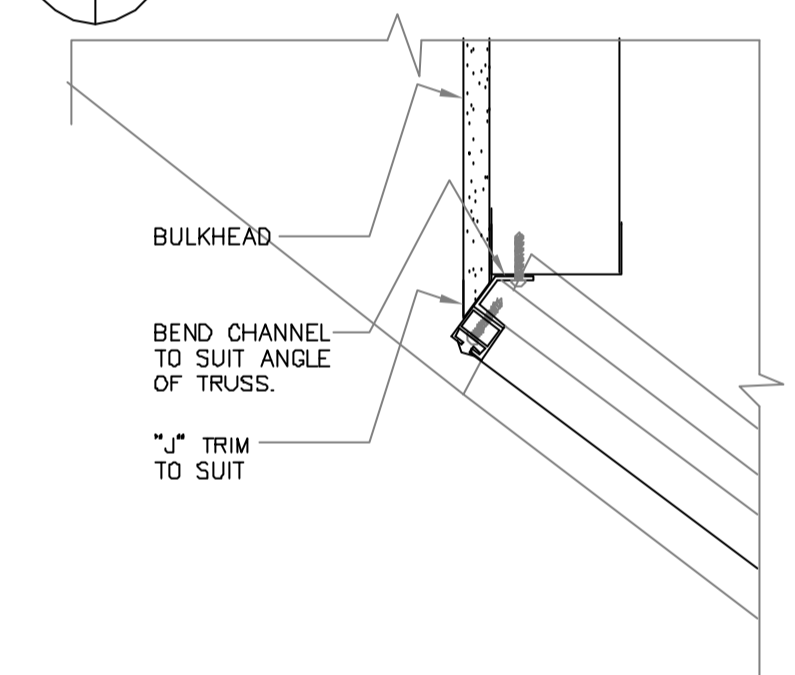
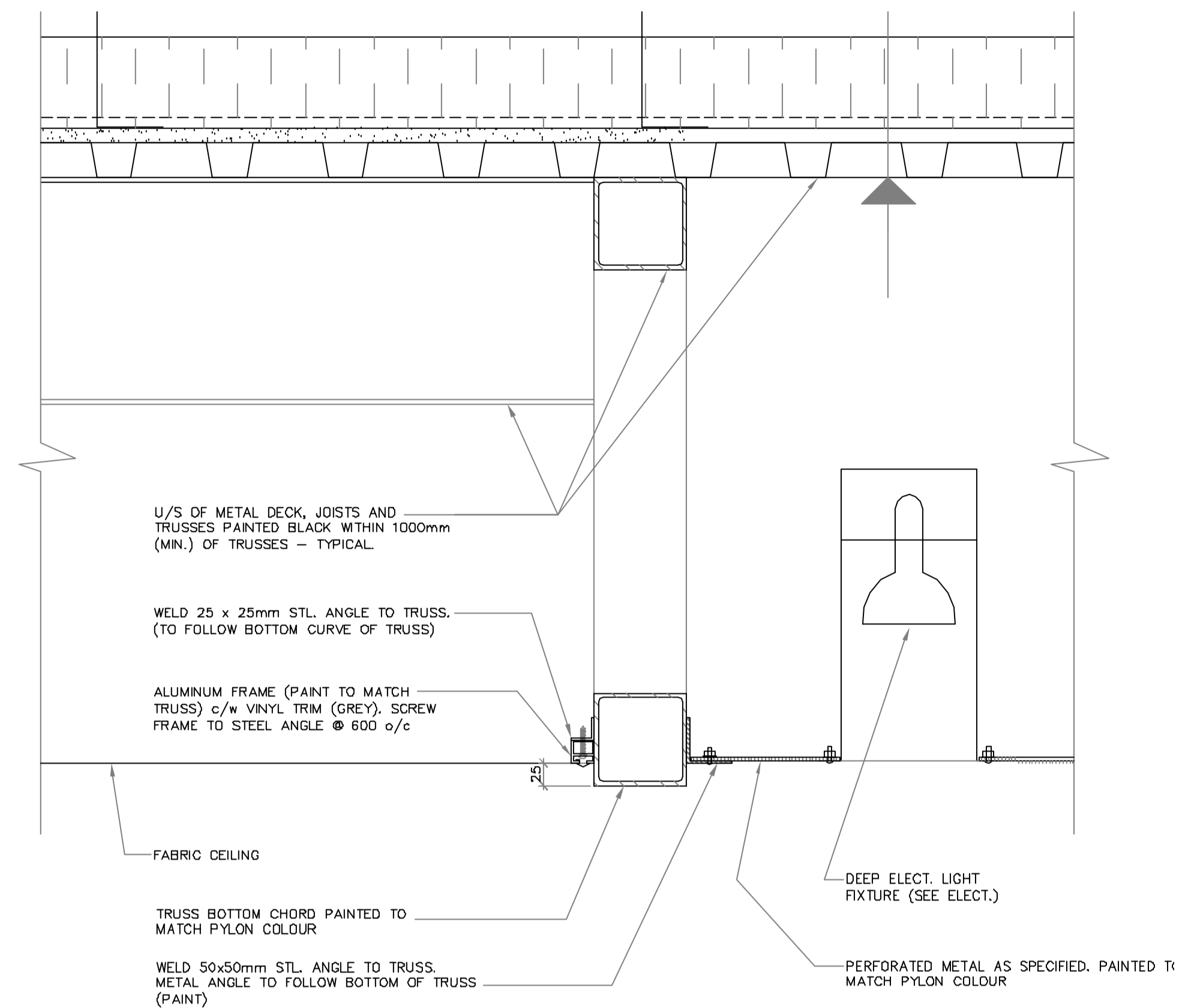


1 CEILING AT SKYLIGHT  
324 325 1:10

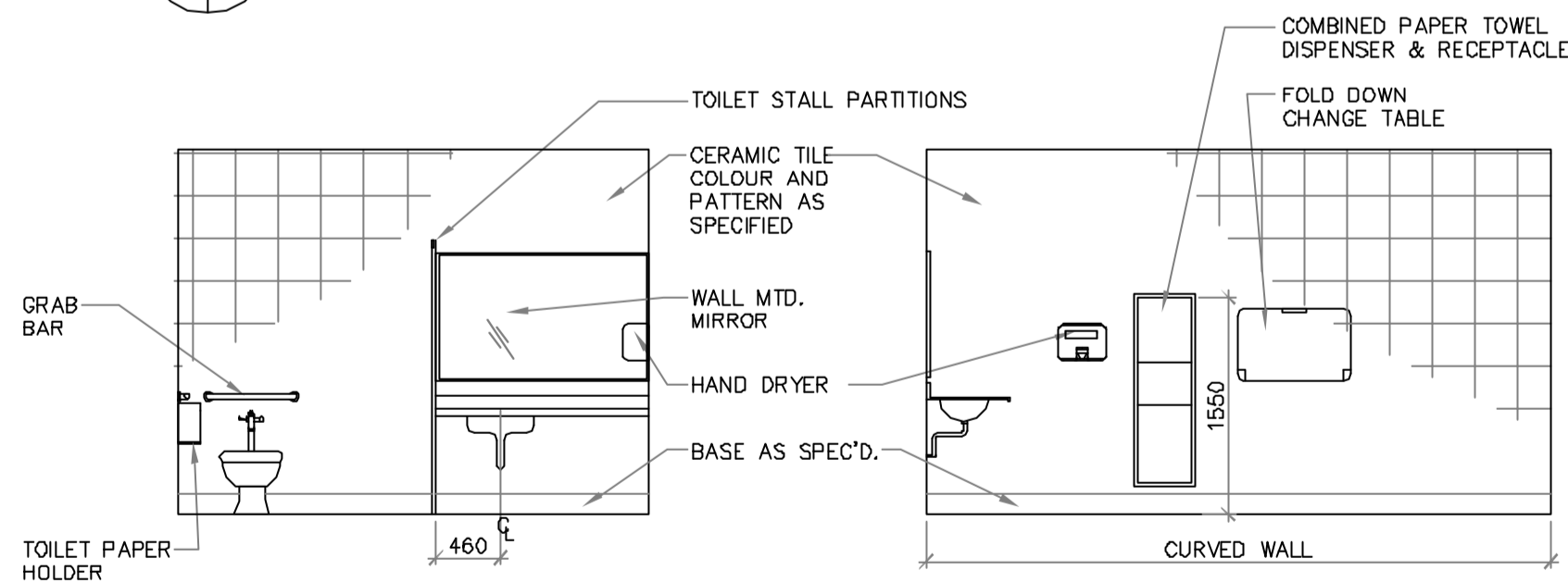
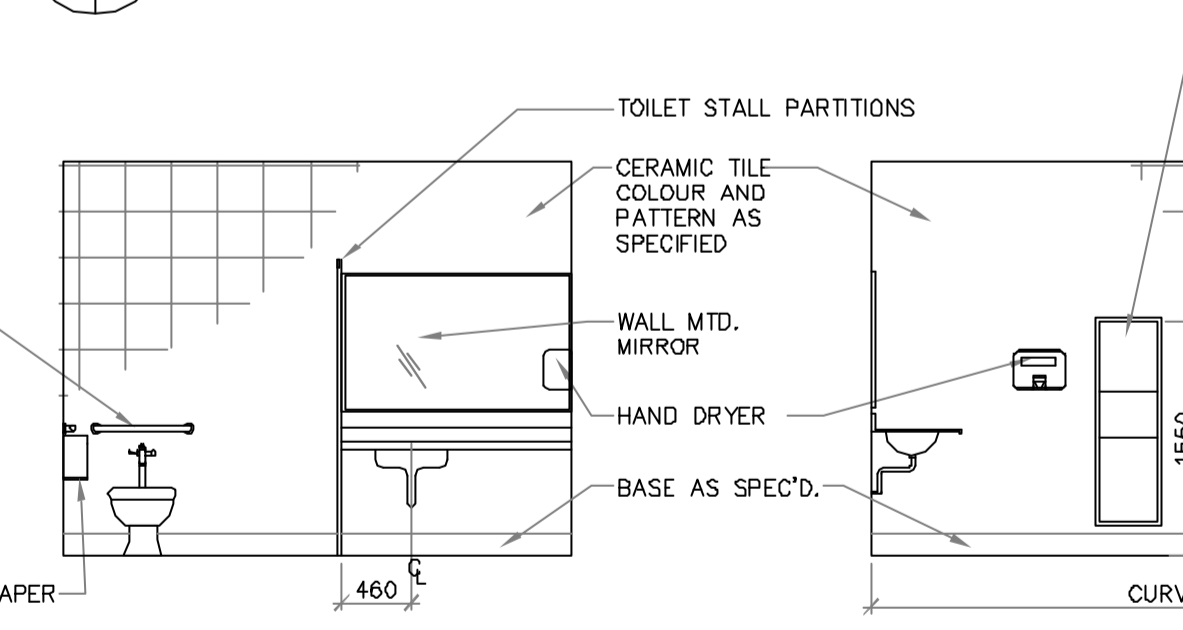


2 CEILING AT TRUSS  
324 325 1:10



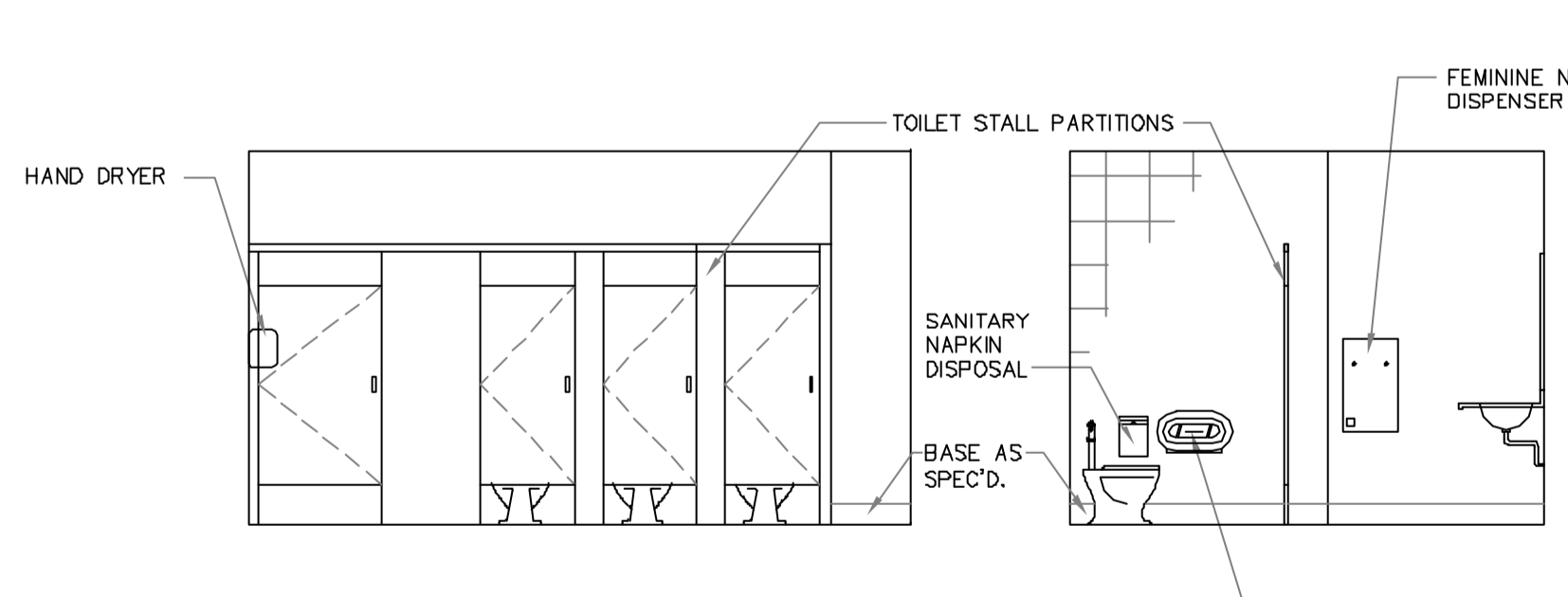
3 CEILING CONNECTIONS AT TRUSS  
324 325 1:5

4 CEILING CONNECTION AT SKYLIGHT  
325 325 1:5



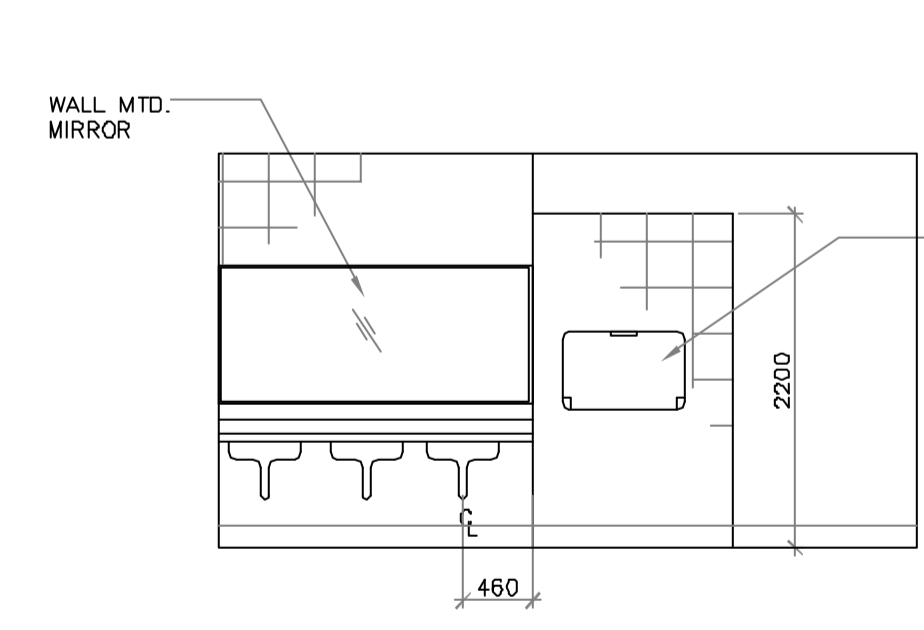
5 MALE WASHRM. 106  
322 325 1:50

6  
322 325

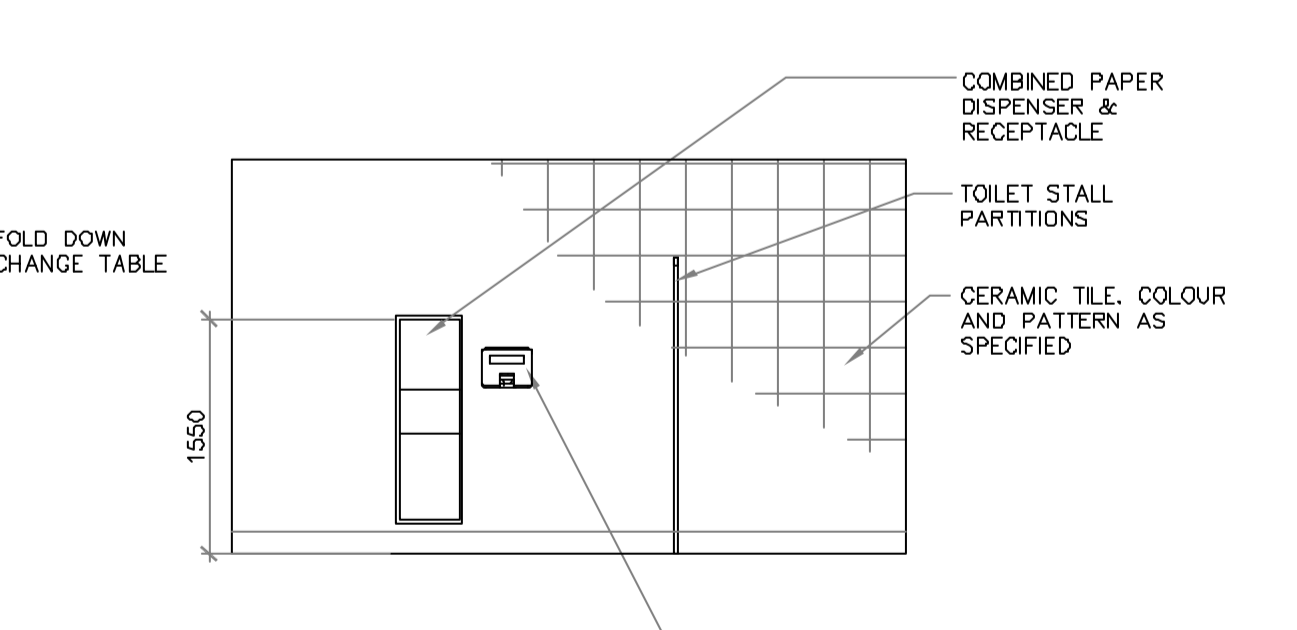


9 FEMALE WASHROOM 105  
322 325 1:50

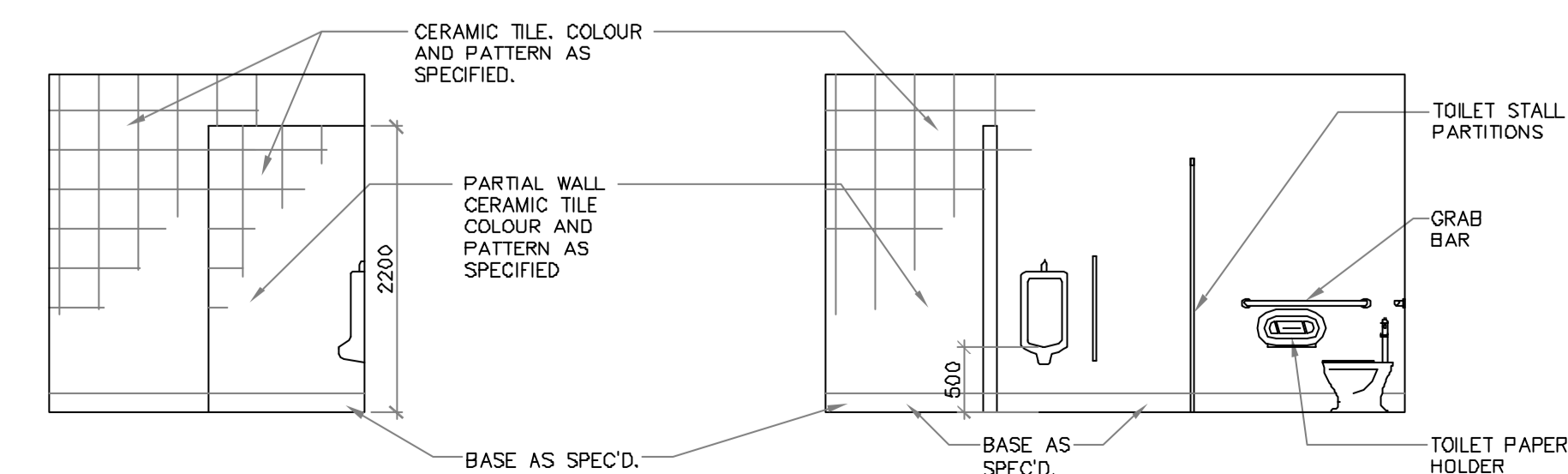
10  
322 325



11  
322 325



12  
322 325



7 MALE WASHROOM (CONT'D)  
322 325 1:50

8  
322 325

NOTE:  
FOR MOUNTING HEIGHT OF ALL ACCESSORIES, SEE MANUFACTURER'S RECOMMENDATIONS

ISSUED FOR INFORMATION ONLY  
NOT TO BE USED FOR CONSTRUCTION

Gaboury  
Préfontaine  
Perry  
architect.e.s

B.M. ELEV.	F.B.	DATE	BY
1	ISSUED FOR CONSTRUCTION	03.08.11	E.J.L.
0	ISSUED FOR PCN 25	03.07.24	
NO.	REVISIONS	DATE	BY

<b>WARDROP Engineering Inc.</b>			
DESIGNED BY	E.J.G. Y.L.	CHECKED BY	E.J.G.
DRAWN BY	C.B. H.V. Y.L.	APPROVED BY	R.V.G.
HOR. SCALE: AS NOTED		ACCEPTED BY DATE	
VERTICAL:			
DATE	03.06.13	B. BRENSPANGER P. ENG. BRIDGE DESIGN AND PROJECTS ENGINEER	

<b>THE CITY OF WINNIPEG</b> PUBLIC WORKS DEPARTMENT ENGINEERING DIVISION		CITY DRAWING NUMBER
PROVENCHER PAIRED BRIDGES PROJECT PEDESTRIAN BRIDGE		SHEET OF
CENTRE PLAZA ENCLOSURE SECTION DETAILS AND WASHROOM ELEVATIONS		325
CONSULTANT DRAWING NO. 010007-13-01		