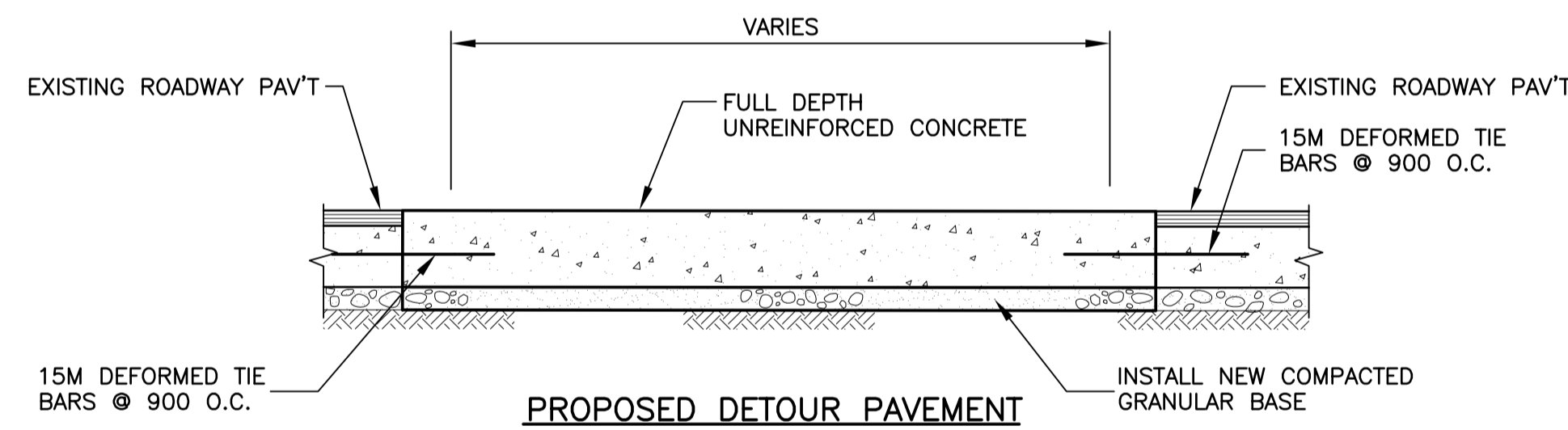
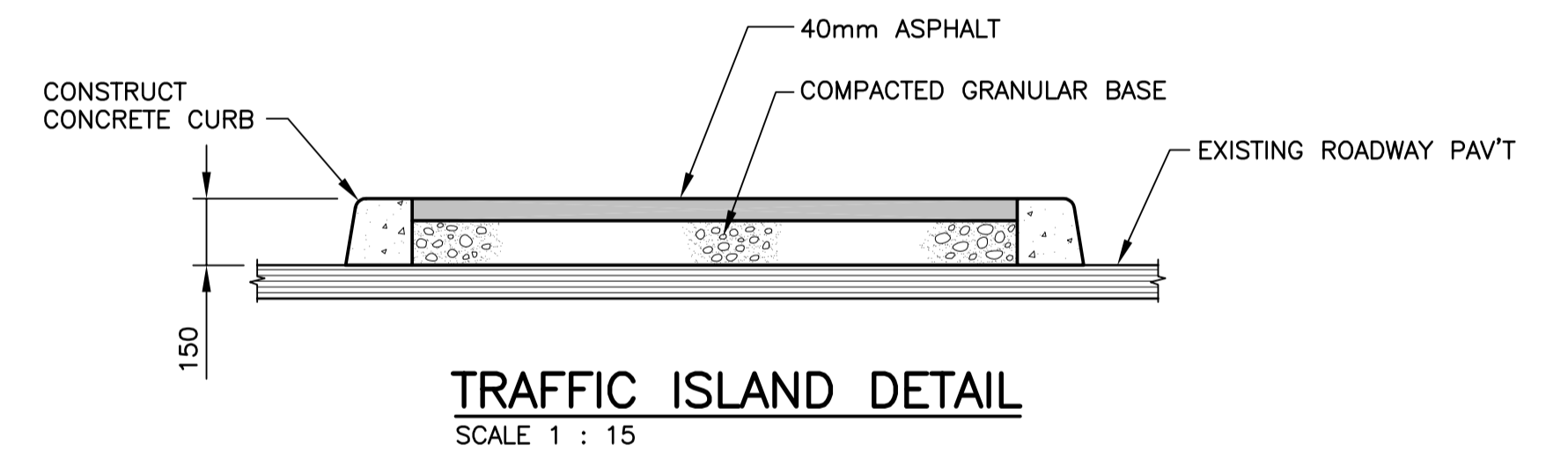


PLAN  
SCALE 1 : 200

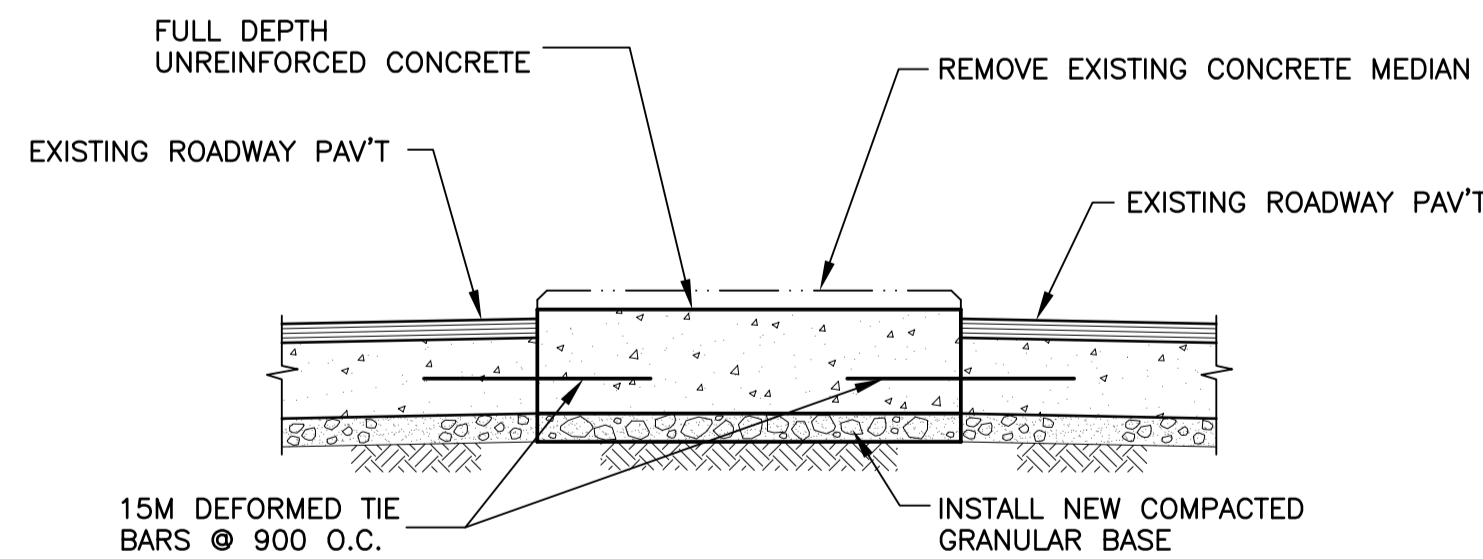
FROM POINT	TO POINT	TYPE	RADIUS (m)	Δ	LENGTH (m)
P1	P2	LINE			10.751
P2	P3	ARC	0.500	170d25'47"	1.487
P3	P4	LINE			10.751
P4	P5	ARC	1.400	189d34'13"	4.632



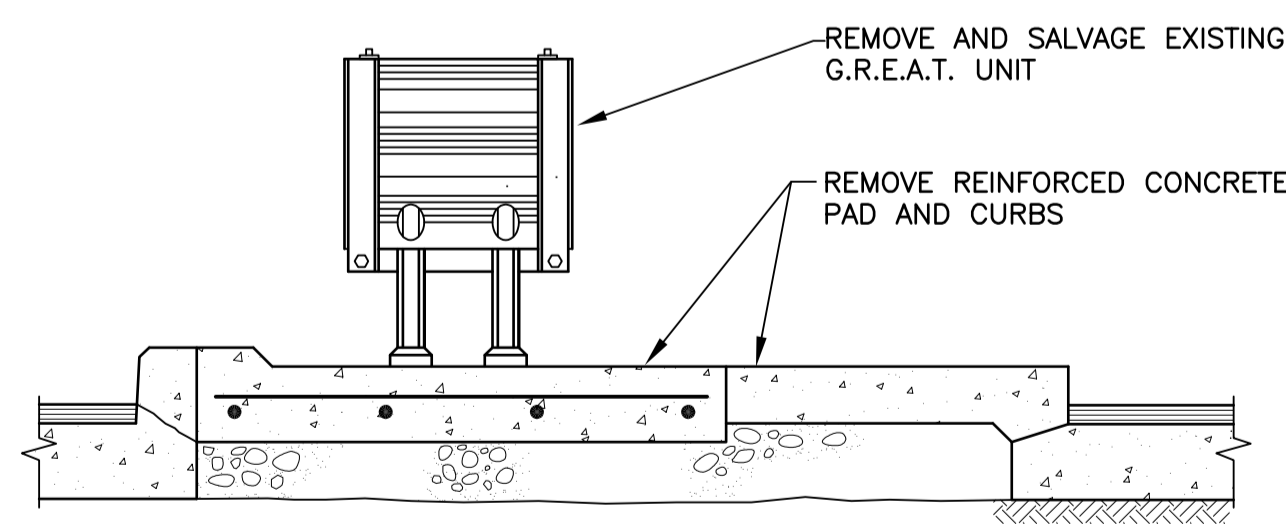
SECTION 2  
1:20



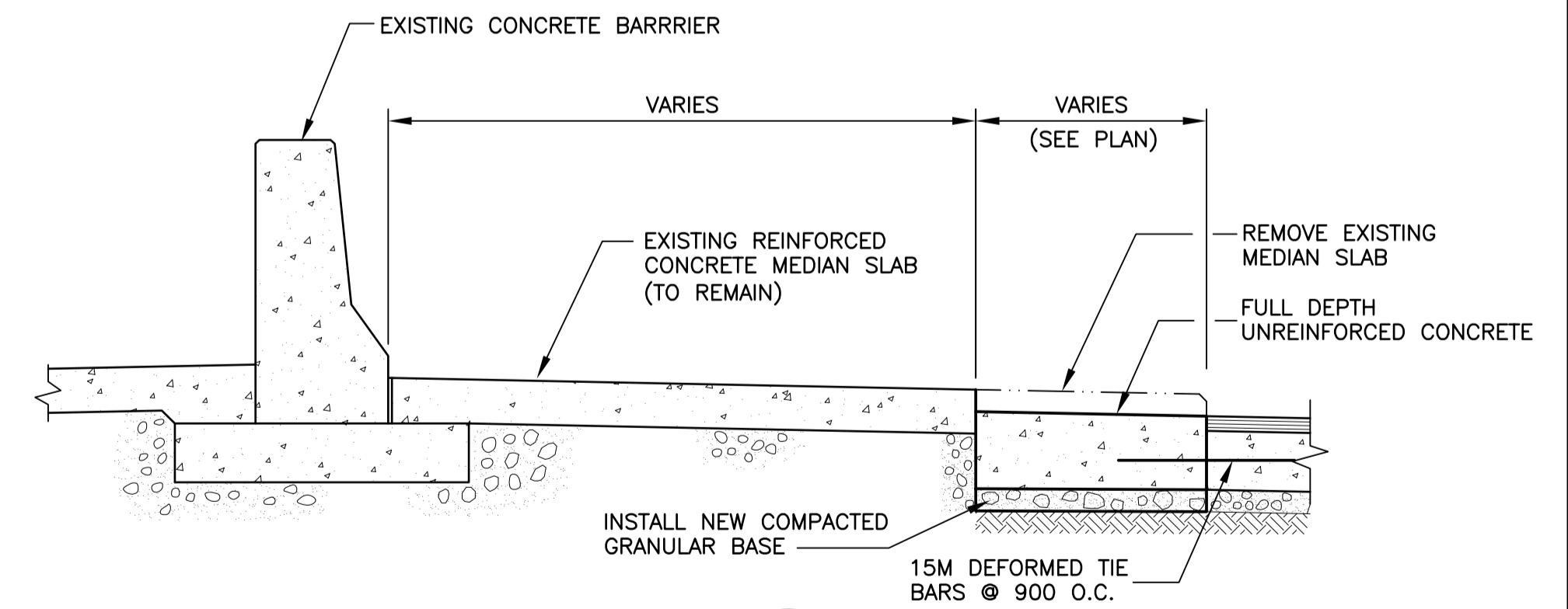
SCALE 1 : 15



SECTION 1  
1:20



SECTION 2  
1:20



SECTION 3  
1:20

METRIC

WHOLE NUMBERS INDICATE MILLIMETRES  
DECIMALIZED NUMBERS INDICATE METRES

150 mm W.M.	WATERMAIN	150 mm W.M.	HYDRO	150 mm W.M.	WATERMAIN	150 mm W.M.
⊕	HYDRANT	⊕	M.T.S.	⊕	HYDRANT	⊕
⊗	VALVE	⊗	CONCRETE	⊗	VALVE	⊗
⊖	LAND DRAINAGE SEWER	⊖	ASPHALT	⊖	LAND DRAINAGE SEWER	⊖
⊙	WASTE WATER SEWER	⊙	PLANING/REMOVAL	⊙	WASTE WATER SEWER	⊙
○	MANHOLE	○	SIDEWALK	○	PROFILE	○
□	CATCH BASIN	□	PAVING STONES	□	NORTH/WEST GUTTER	□
▽	CURB INLET	▽	PARTIAL DEPTH REPAIR	▽	SOUTH/EAST GUTTER	▽
⊕	JUNCTIONS	⊕	PROPERTY LINE	⊕		⊕
⊖	CULVERT	⊖	SURVEY BAR	⊖		⊖
⊙	GAS	⊙	PARAPLEGIC RAMP	⊙		⊙
---	EXISTING LEGEND-PLAN	---	PROPOSED LEGEND-PLAN	---	EXISTING LEGEND-PROFILE	---
---		---		---	PROPOSED LEGEND-PROFILE	---

UNDERGROUND STRUCTURES	B.M. ELEV.
SUPV. U/G STRUCTURES COMMITTEE	DATE
NOTE:	
LOCATION OF UNDERGROUND STRUCTURES AS SHOWN ARE BASED ON THE BEST INFORMATION AVAILABLE. BUT NO GUARANTEE IS GIVEN THAT ALL EXISTING UTILITIES ARE SHOWN OR THAT THE GIVEN LOCATIONS ARE EXACT. CONFIRMATION OF EXISTENCE AND EXACT LOCATION OF ALL SERVICES MUST BE OBTAINED FROM THE INDIVIDUAL UTILITIES BEFORE PROCEEDING WITH CONSTRUCTION.	

NO.	REVISIONS	DATE	BY
3	SECTIONS 1-3 REVISED	02/22/05	RAW
2	ISSUED FOR TENDER	01/31/05	NBG
1	ISSUED FOR CITY REVIEW	12/17/04	RAW

DESIGNED BY	RAW
DRAWN BY	SKB
CHECKED BY	RAW
APPROVED BY	
HOR. SCALE	AS NOTED
VERTICAL	
DATE	DEC. 2004

**DILLON CONSULTING**

RELEASED FOR CONSTRUCTION

ENGINEER'S SEAL

PROVINCE OF MANITOBA

R. A. WIEBE

REGISTERED PROFESSIONAL ENGINEER

CONSULTANT PROJECT NO. 04-3021-2000

**THE CITY OF WINNIPEG PUBLIC WORKS DEPARTMENT**

**Winnipeg**

**MARYLAND TWIN BRIDGES REHABILITATION PROJECT**

**WEST BRIDGE REHABILITATION**

**DETOUR WORKS**

**WELLINGTON CRESCENT AT ACADEMY ROAD**

**MEDIAN REMOVAL AND DETOUR LANE CONSTRUCTION**

CITY DRAWING NUMBER B108-05-05

SHEET 05 OF 33