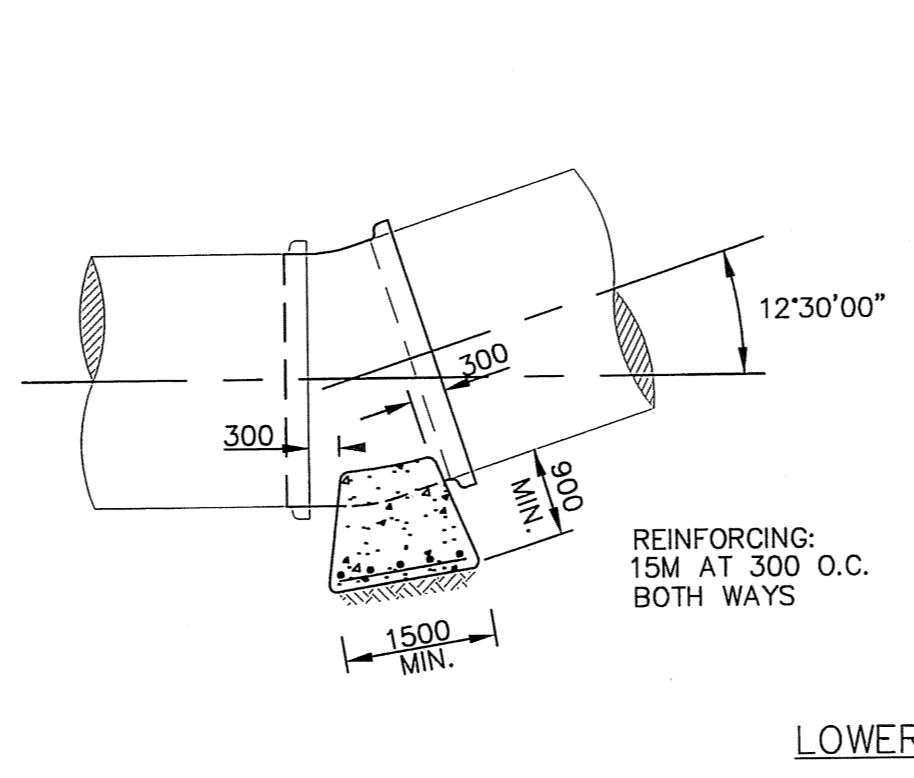
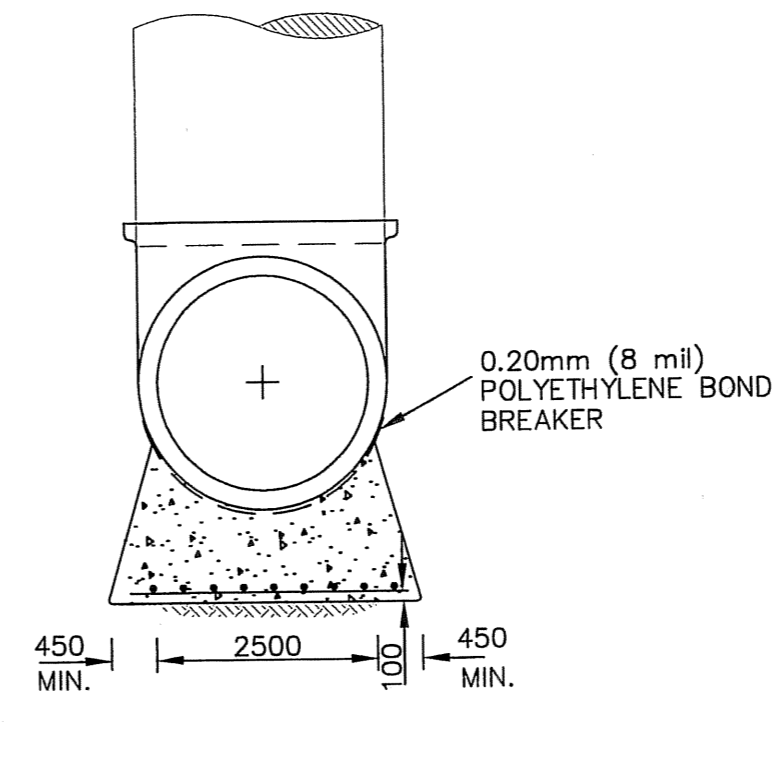


2100 X 2100 X 2100 OR 2100 X 2100 X 1500 TEE

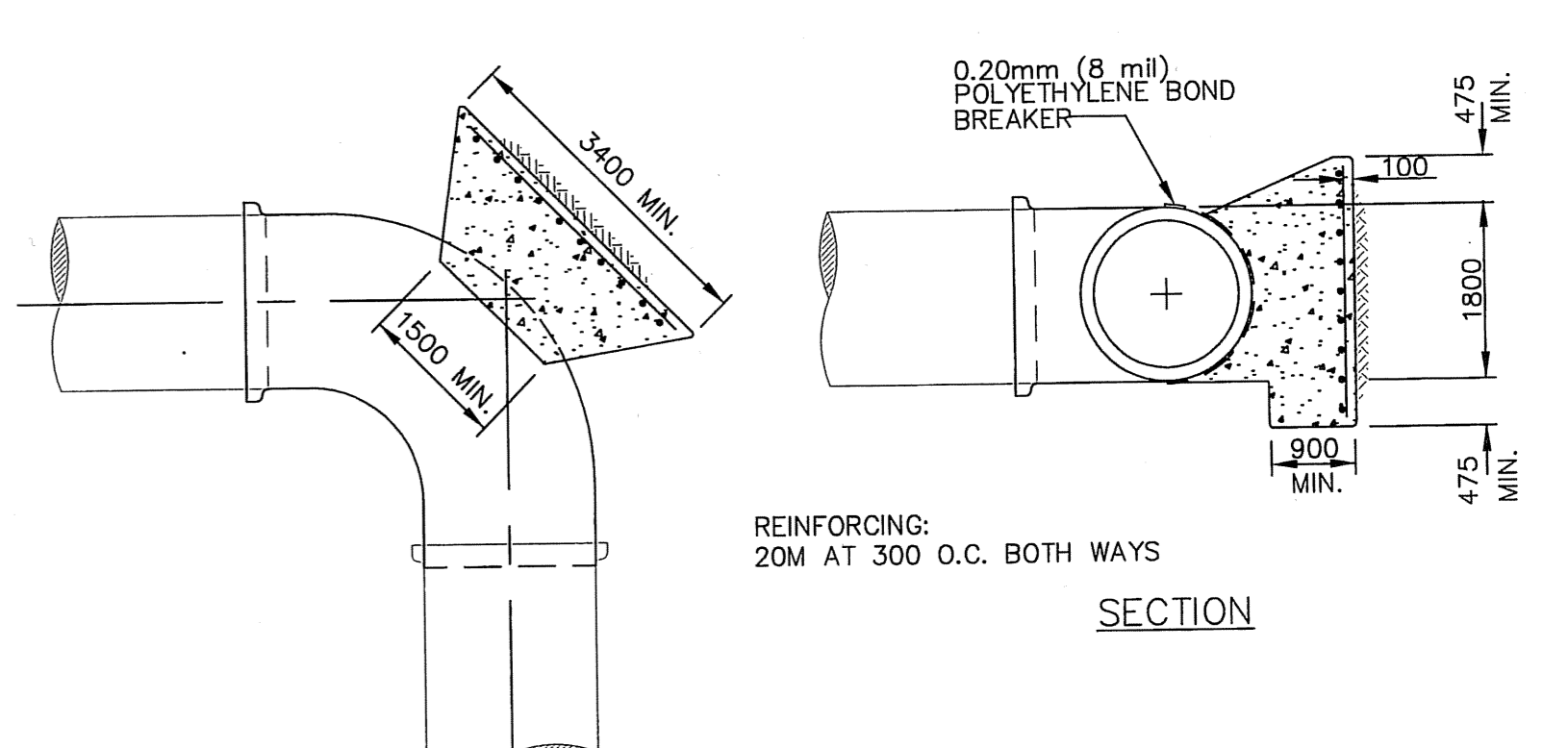


LOWER



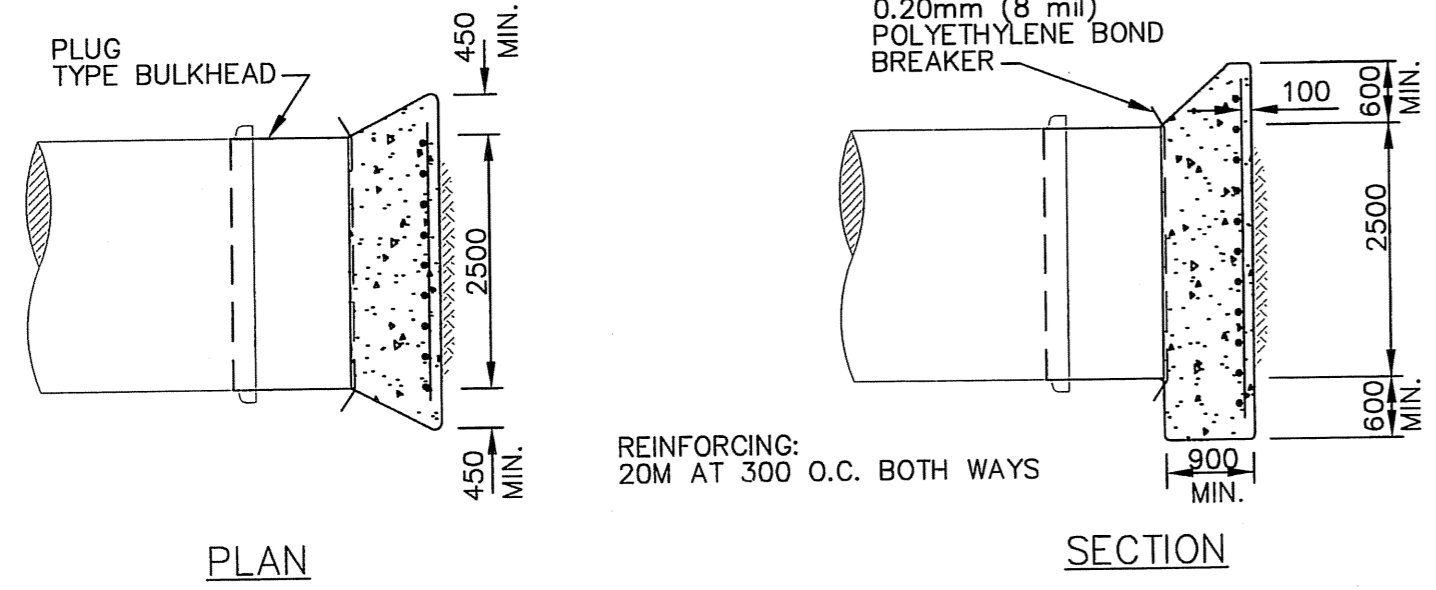
UPPER

2100 - 12'30'00" VERTICAL BENDS



PLAN

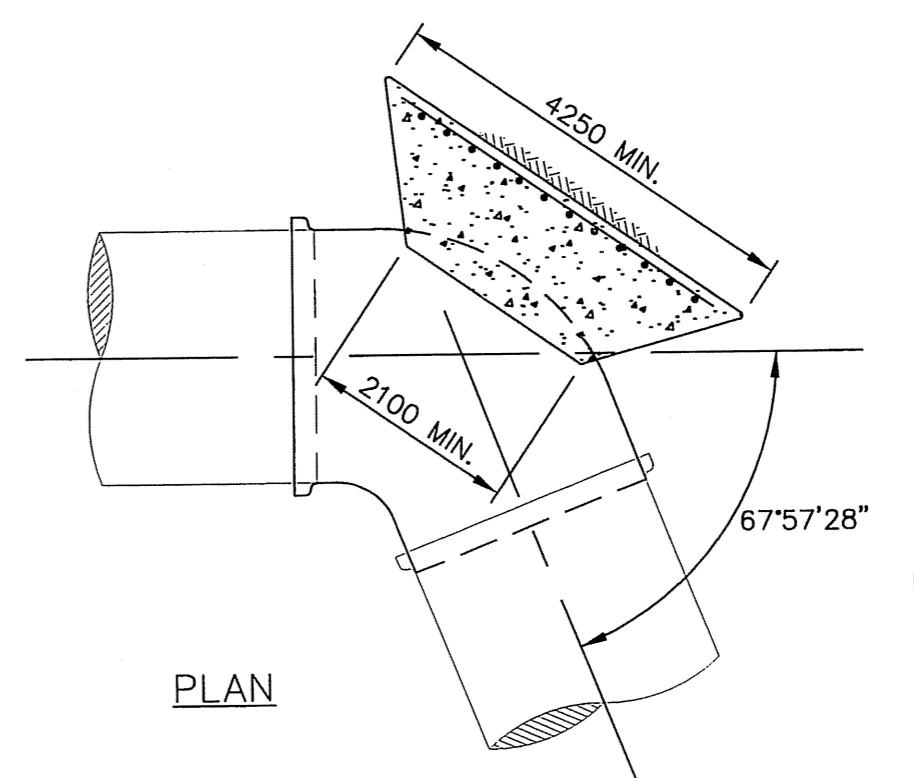
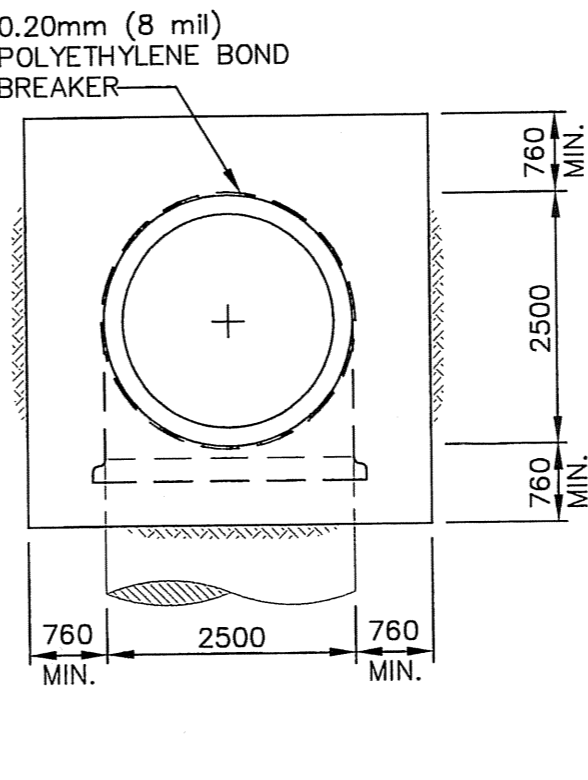
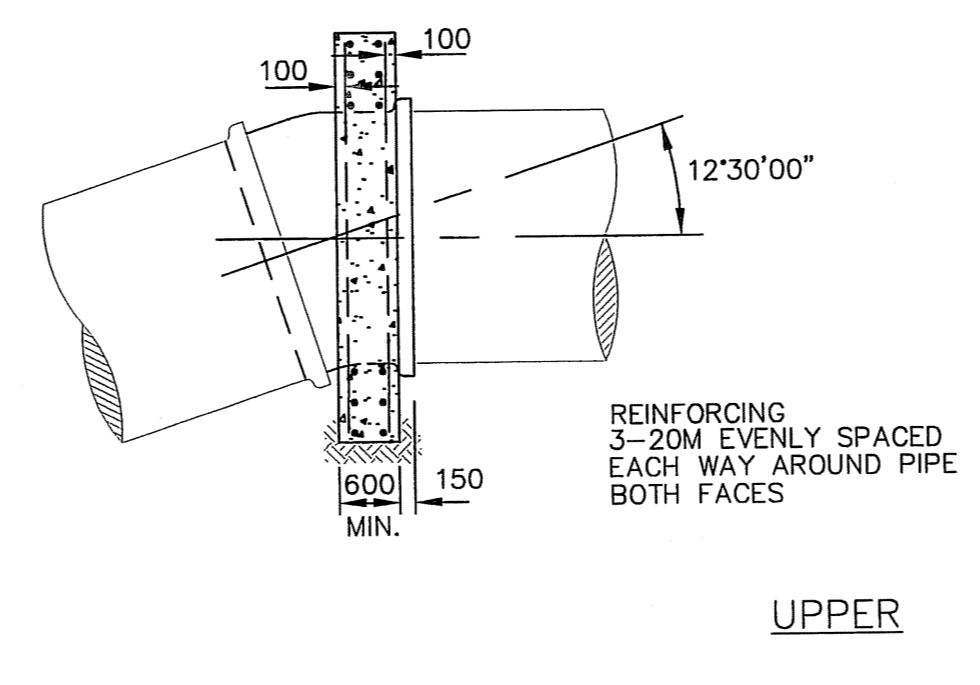
1500 - 90° BEND



PLAN

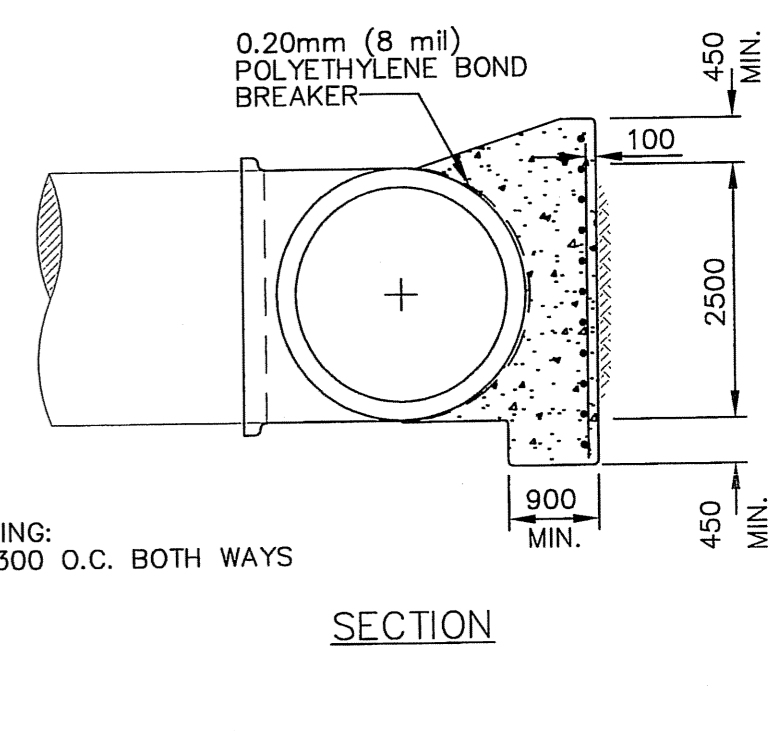
SECTION

2100 DEADEND



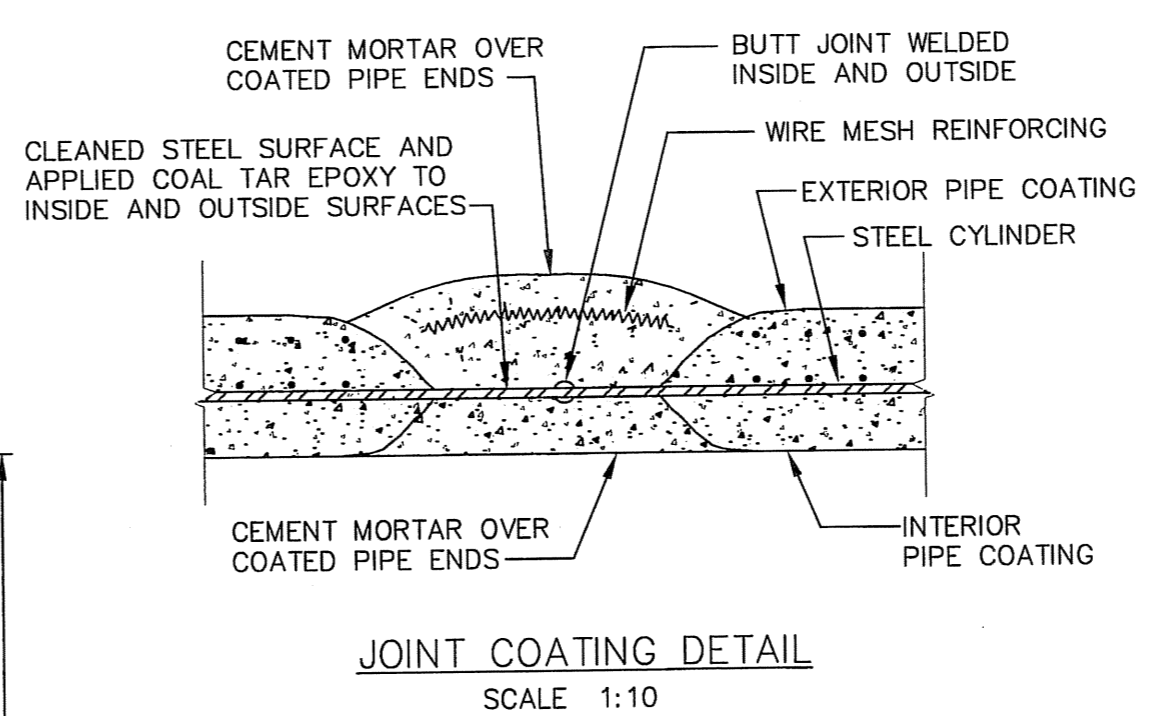
PLAN

2100 - 67'57'28" BEND



SECTION

2100 - 10' 42' 57" BEND

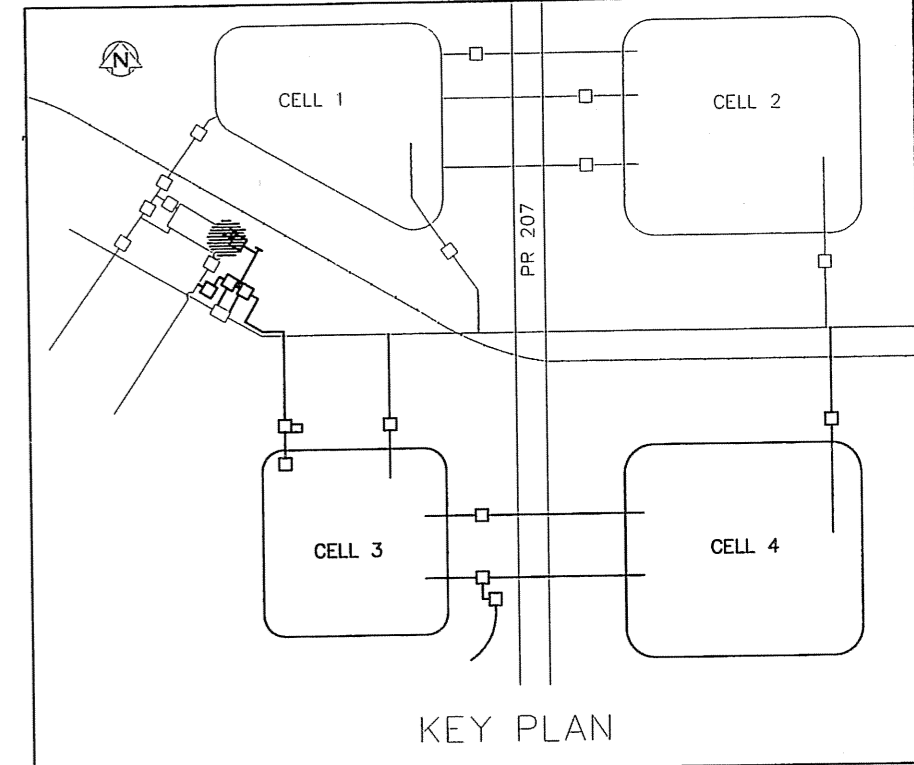


JOINT COATING DETAIL
SCALE 1:10

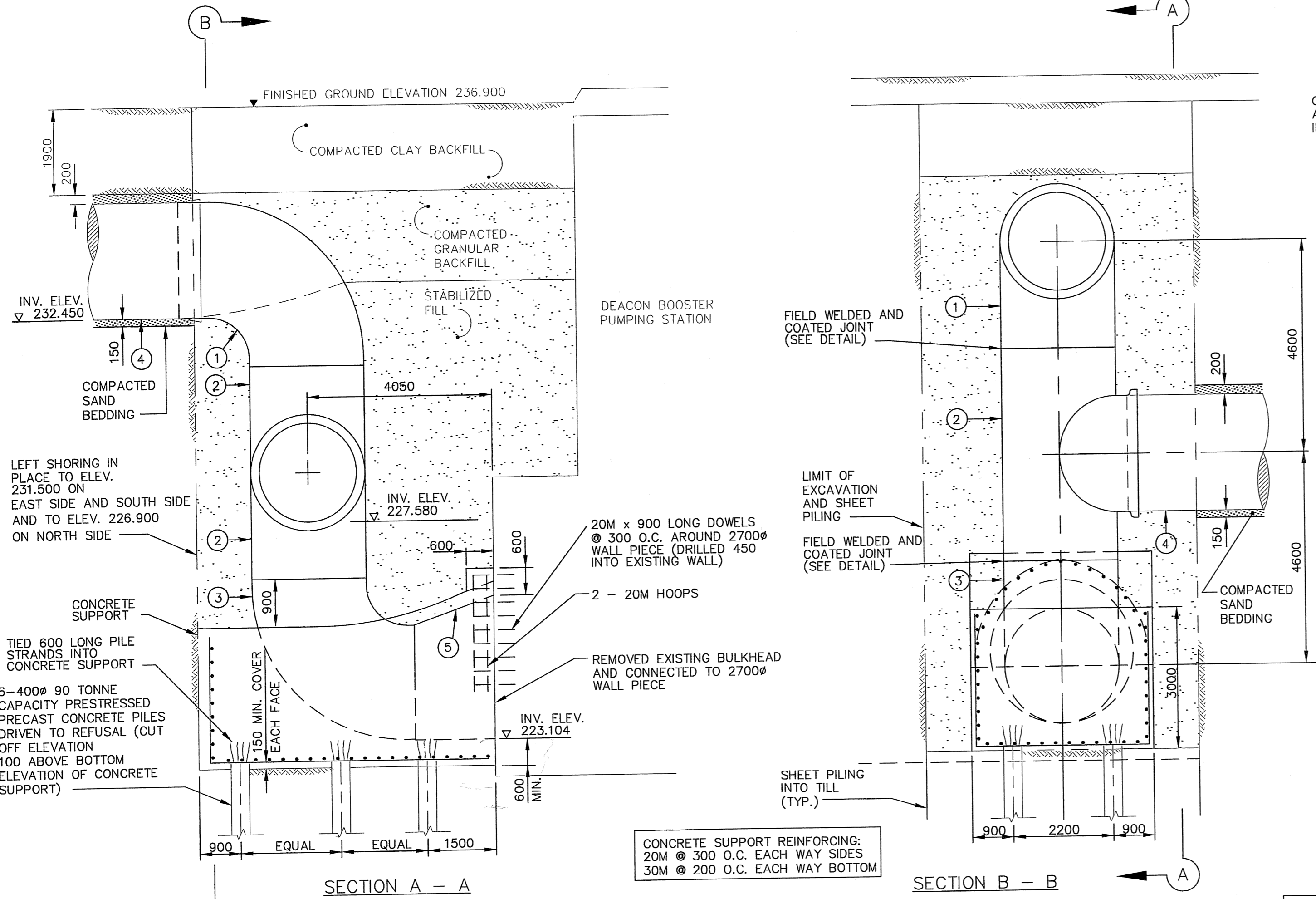
LIST OF MATERIALS			
ITEM	DESCRIPTION	LENGTH	QUANTITY
1	2100# AWWA C301 TYPE A OR B 90° ELBOW (PLAIN STEEL END X SPIGOT)	AS REQ'D	1
2*	2100# x 2100# x 2100# AWWA C301 TYPE A OR B TEE (PLAIN STEEL END X PLAIN STEEL END X BELL)	AS REQ'D	1
3*	2100# AWWA C301 TYPE A OR B 90° ELBOW (PLAIN STEEL END X PLAIN STEEL END)	AS REQ'D	1
4	2100# AWWA C300 OR C301 PIPE (BELL X SPIGOT)	STANDARD	-
5	2100# x 2700# AWWA C301 TYPE A OR B ECCENTRIC INCREASER (PLAIN STEEL END X SPIGOT)	AS REQ'D	1

NOTE:
-ALL FIELD WELDED JOINTS IN ACCORDANCE WITH AWWA C206 USING DOUBLE-GROOVE BUTT JOINTS
-COATING OF WELDED JOINTS IN ACCORDANCE WITH AWWA C203, C205, C209 OR C602

AS-CONSTRUCTED
Rabina K. Walter 01.09.27
CONTRACT ADMINISTRATION DRAFTING & GRAPHIC SERVICES
WATER AND WASTE DEPARTMENT



KEY PLAN



SECTION A - A

SECTION B - B

CELL 3 OUTLET CONNECTION DETAIL AT DEACON BOOSTER PUMPING STATION

DRAWING REDUCED DO NOT SCALE

METRIC

WHOLE NUMBERS INDICATE MILLIMETRES
DECIMALIZED NUMBERS INDICATE METRES

Prepared By:
The Engineering Division of the
Waterworks, Waste and Disposal
Department

DESIGNED BY	TW	CHECKED BY	TW/KMD
DRAWN BY	TM	APPROVED BY	JEC
HOR. SCALE	1:75	RELEASED FOR CONSTRUCTION	
VERTICAL			
1	REVISED TO AS-BUILT	01.08.28	WKT
NO.	REVISIONS	DATE	BY
		1995 01 20	

ENGINEER'S SEAL
ORIGINAL
SIGNED BY
J. E. COMEAU
1995.01.30
TENDER 95-2
AUTOCADR2000



THE CITY OF WINNIPEG
WORKS AND OPERATIONS DIVISION
WATERWORKS WASTE AND DISPOSAL DEPARTMENT

**DEACON RESERVOIR EXPANSION
CONSTRUCTION OF CELL 3 AND CELL 4**
CELL 3 OUTLET PIPE
THRUST BLOCK AND CONNECTION TO
DEACON BOOSTER PUMPING STATION
DETAILS

SHEET OF
CITY DRAWING NUMBER
D-2075

D-2075