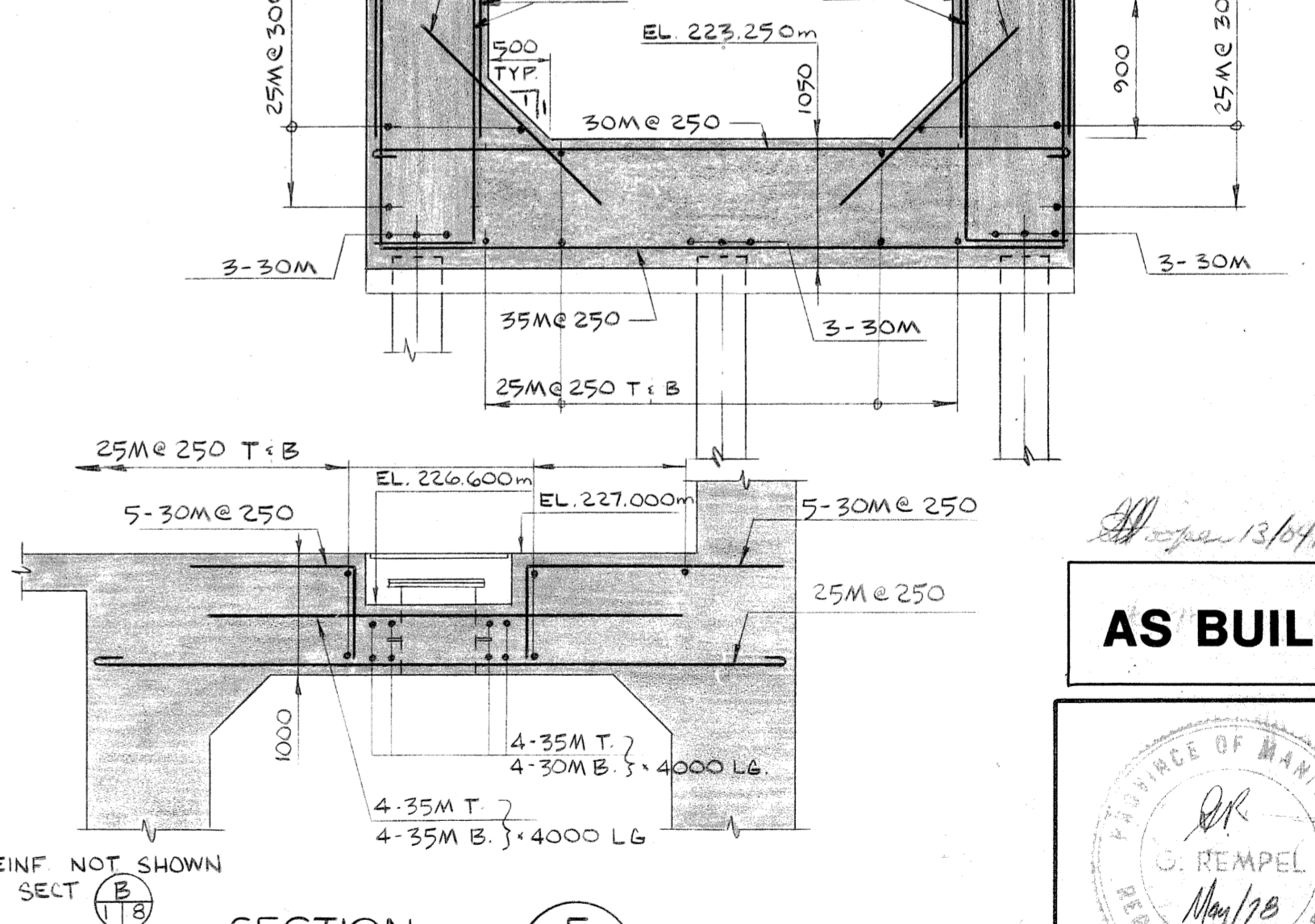
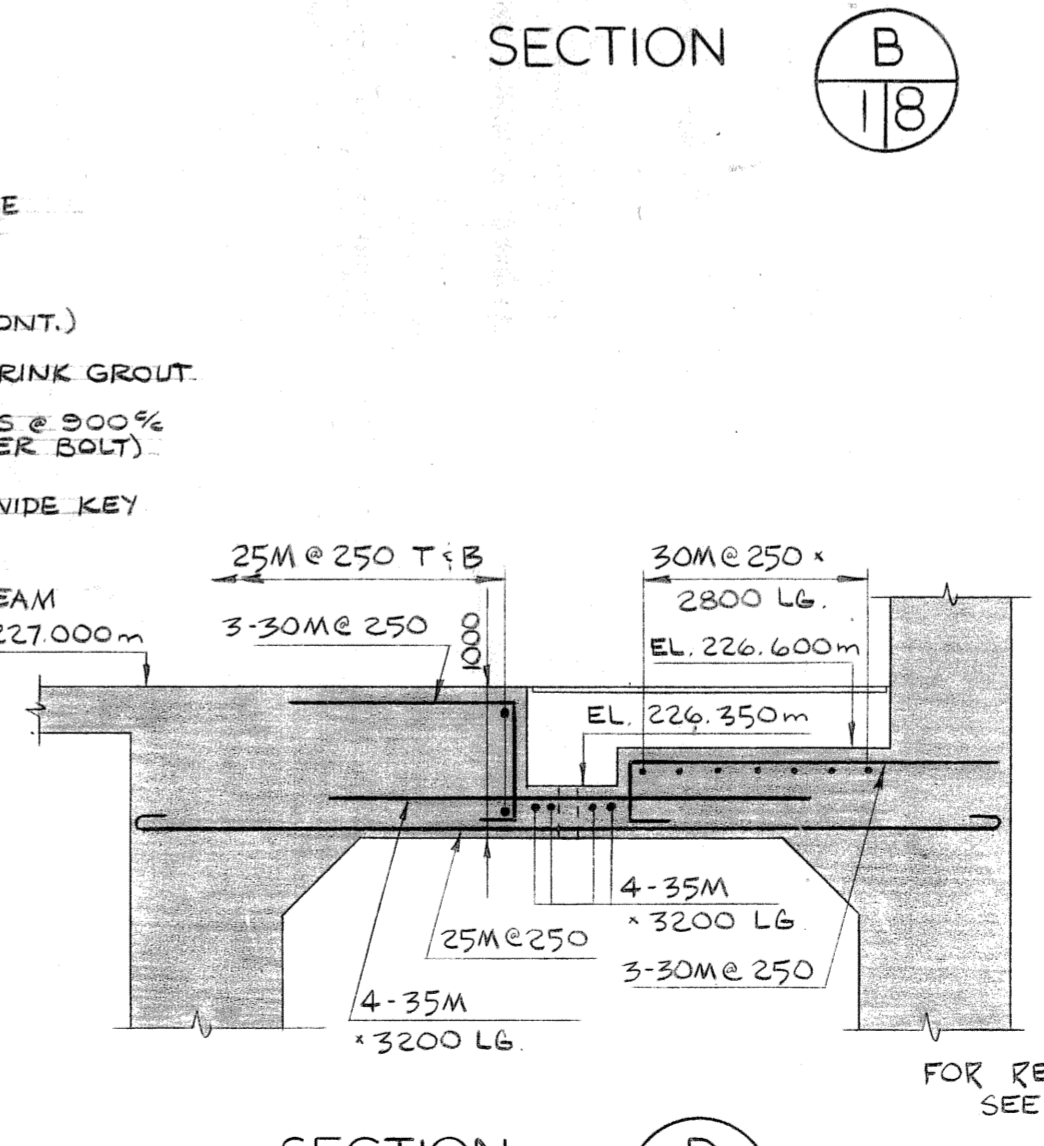
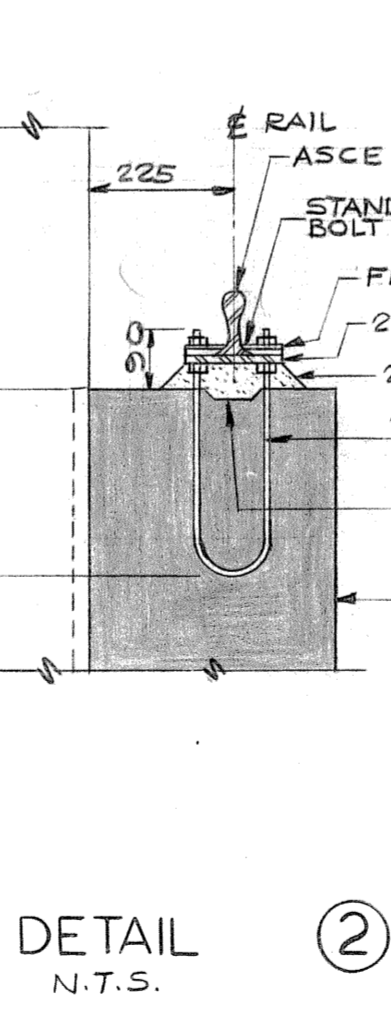
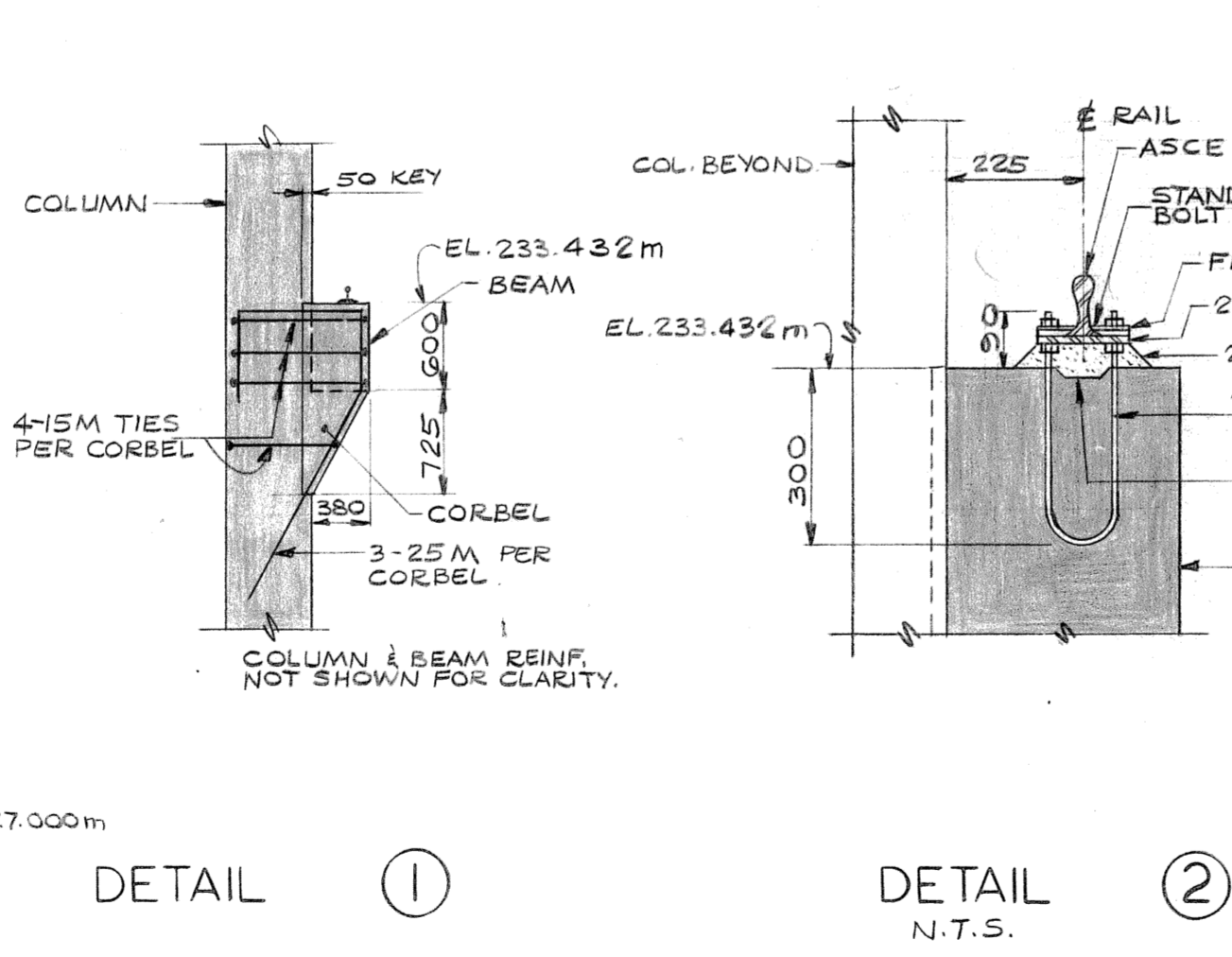
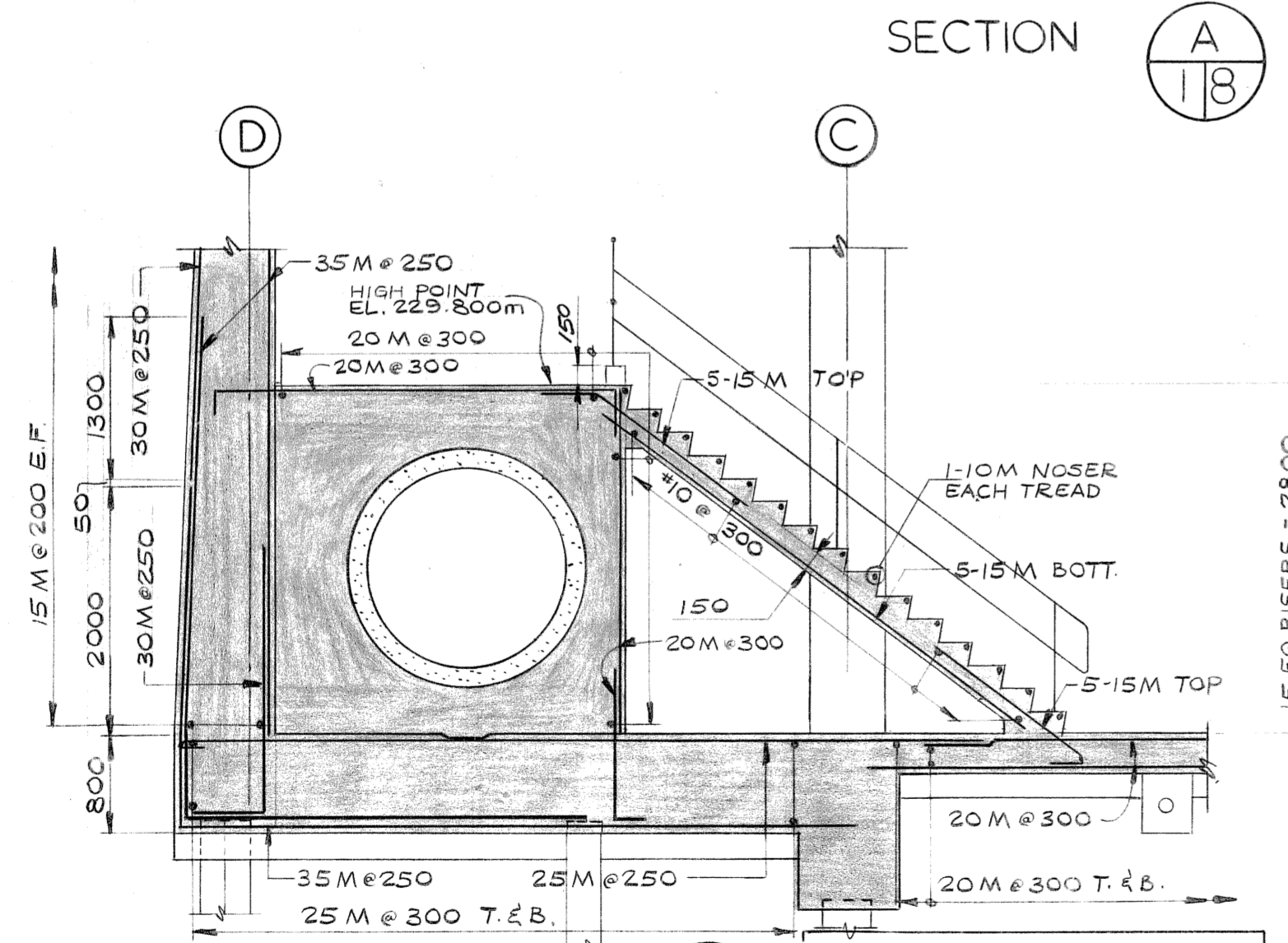
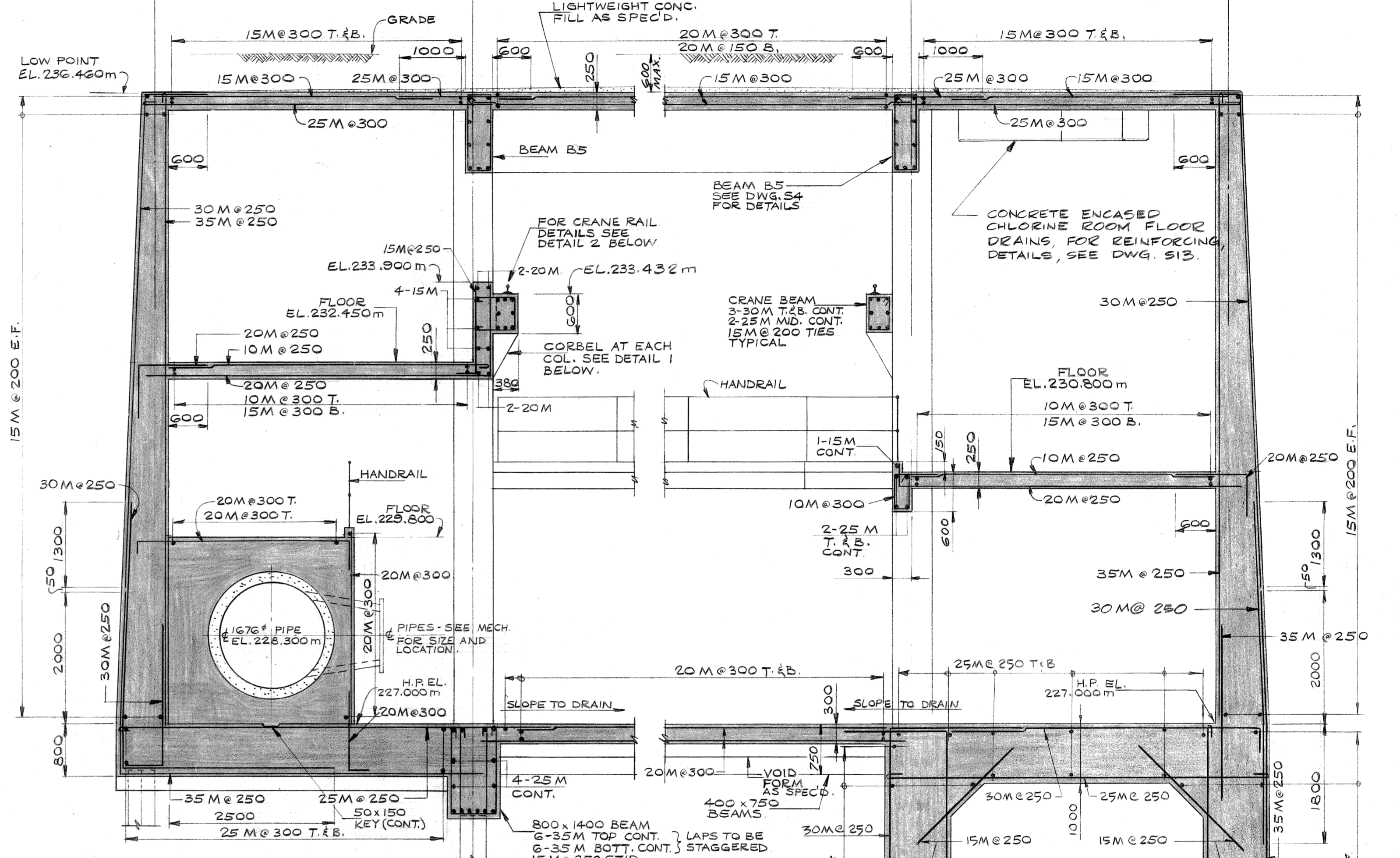
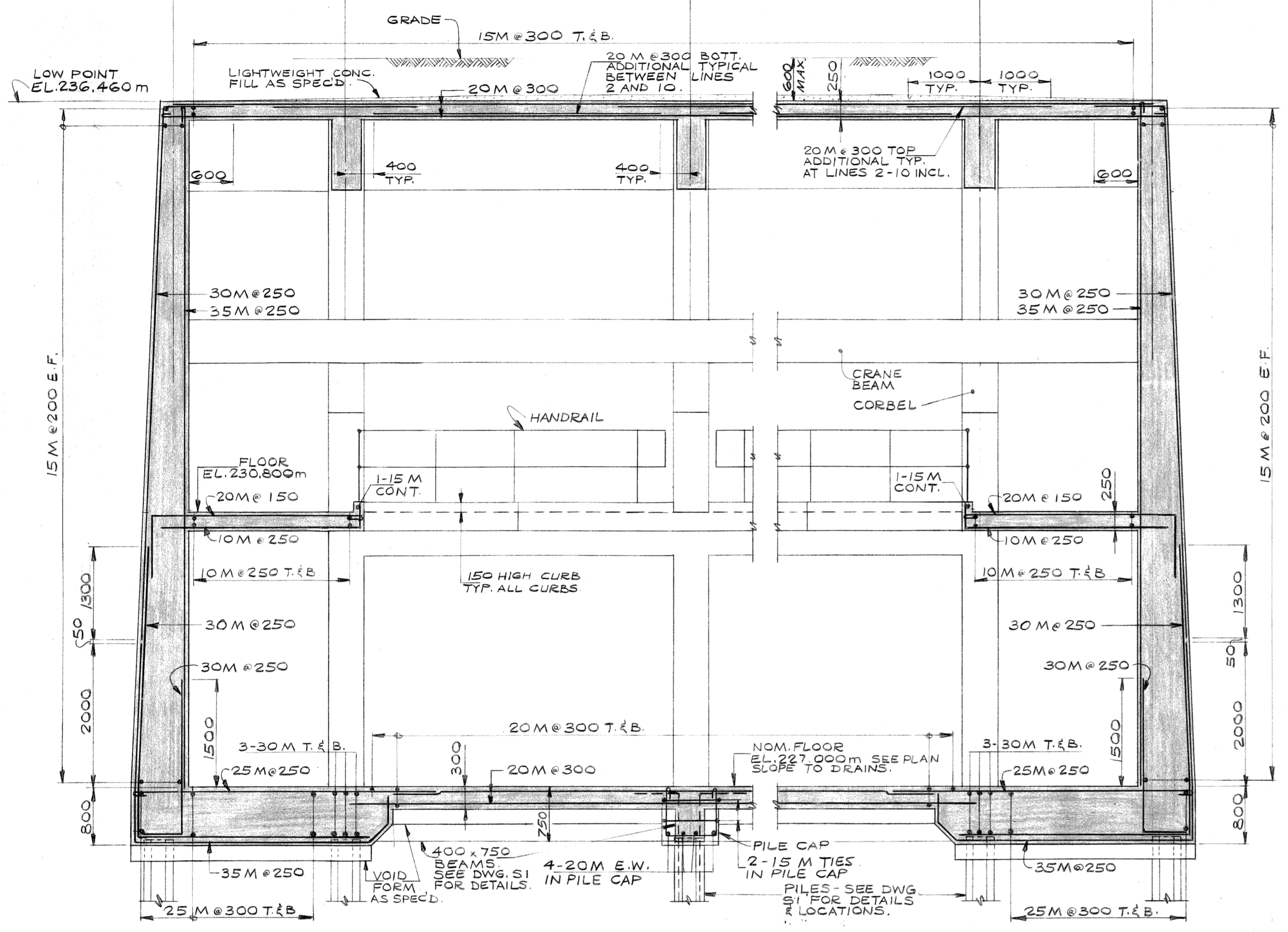


10 DBP-22

NOTE:
TOTAL DEPTH OF LIGHTWEIGHT CONC. FILL AND EARTH FILL SHALL NOT EXCEED 600 mm

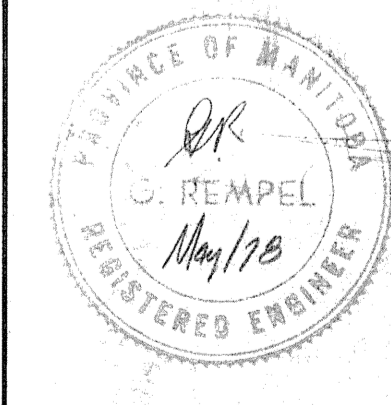
NOTE:
NO BACKFILLING WAS PERMITTED ABOVE EL. 232.000m UNTIL SLAB AT EL. 236.500m HAD CURED FOR 7 DAYS.



NOTE:
FOR REINFORCING & DETAILS NOT SHOWN SEE SECTION 'B' ON THIS DWG.

13/04/84

AS BUILT



CONSULTANT DIVISION OF MUNICIPALITY OF WINNIPEG	CENTRAL FILE	ENGINEERING OFFICE	SHEET NO.	DATE FILMED
	DRAWING FILE NUMBER			
GRID CO-ORDINATES MICROFILMING	WORKS & OPERATIONS DEPARTMENT			

REV.	DESCRIPTION	BY	DATE
1	REVISED TO AS BUILT	R.H.K.L.	MAY 80

JAMES F. MACLAREN LIMITED
CONSULTING ENGINEERS, PLANNERS AND SCIENTISTS
WINNIPEG · LONDON · WINDSOR · WATERLOO · TORONTO

DRAWN BY: R.H.K.L. DESIGNED BY: N.R.
CHECKED BY: C.V.W. APPROVED BY: [Signature] DATE: [Blank]

THE CITY OF WINNIPEG
WATERWORKS, WASTE AND DISPOSAL DIVISION
DEACON BOOSTER PUMPING STATION

STRUCTURAL
SECTIONS I

SCALE: 1:50
DATE: MAY 30, 1978
CONSULTANT DRAWING NO. S8 of 13
CITY DRAWING NO. DBP-22