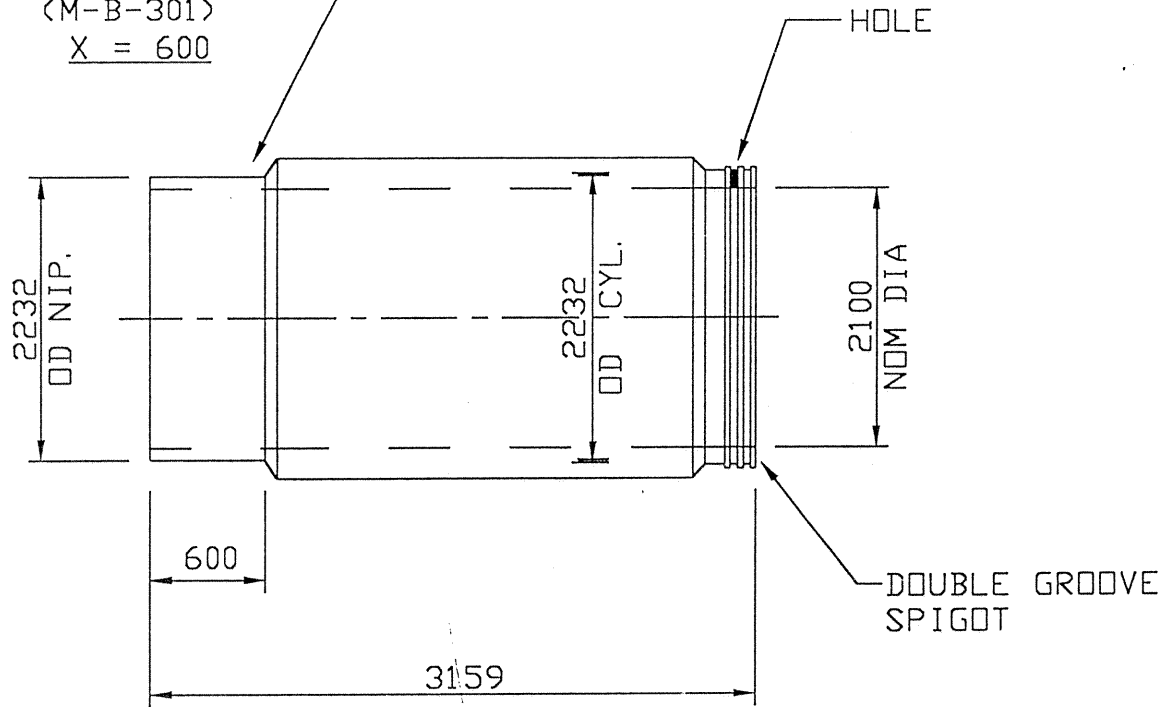


PLAIN STEEL END
FOR BAKER CPLG
(M-B-301)
X = 600



TYPE 50 CEMENT INSIDE & OUTSIDE

SPECIFICATION : AWWA C301(E)
 TYPE : "A"
 CLASS/PRESSURE : 16
 PLATE THICKNESS :
 WIRE MESH :
 WALL THICKNESS : } 24mm MORTAR COATING

A	95/05/12	TOTAL LENGTH REV'D	SZ
REV.	DATE:	REVISION	BY:
<small>THIS DRAWING AND ALL TECHNICAL INFORMATION APPEARING HEREON ARE THE PROPERTY OF HYPRESCON INC. AND MUST BE KEPT IN CONFIDENCE BY THE RECIPIENT. THE SAME MAY NOT BE USED OR REPRODUCED EITHER IN WHOLE OR IN PART WITHOUT THE EXPRESS CONSENT OF HYPRESCON INC., WHICH RESERVES ALL RIGHTS OF COPYRIGHT.</small>			
HYPRESCON inc.			
WINNIPEG - P.D. 95-2			
DETAIL OF MK: 26			
SCALE: NOT TO SCALE		DATE: 95/05/03	
DRAWN	CHECKED	APPROVED	PROJECT
SZ	<i>[Signature]</i>	<i>[Signature]</i>	9007-95
DWG.	REV.		
C-26	A		

F-4135-513