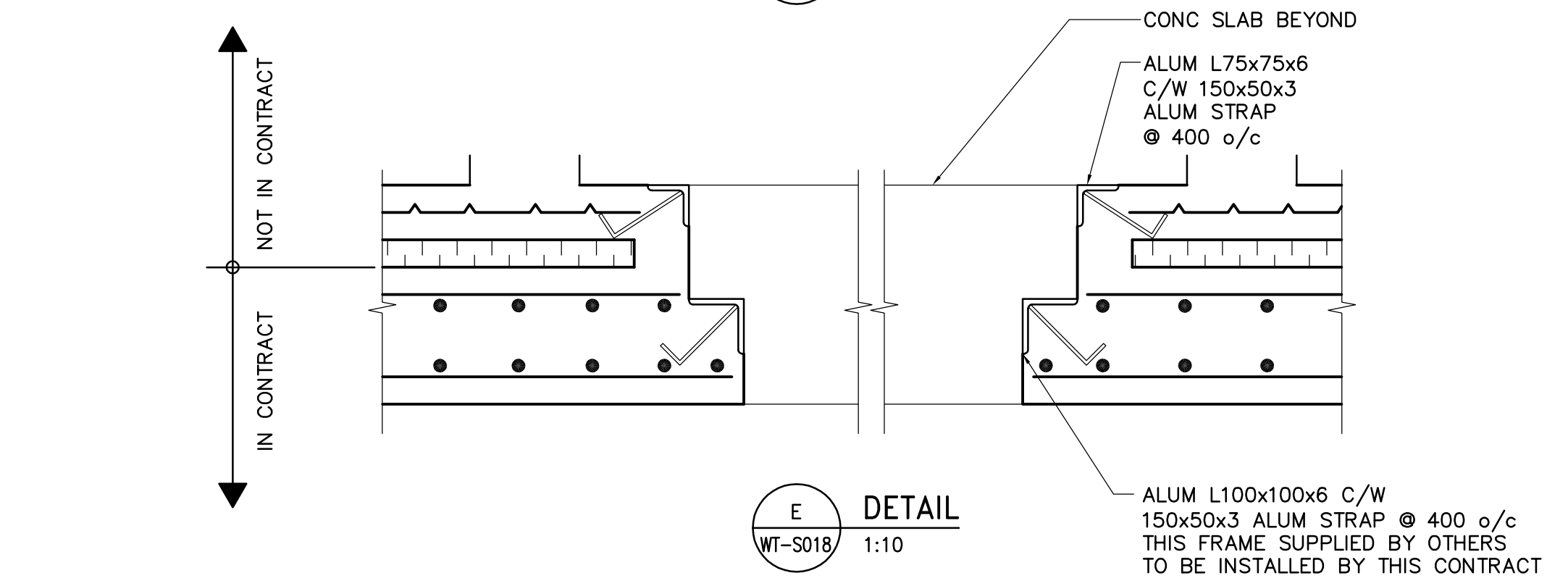
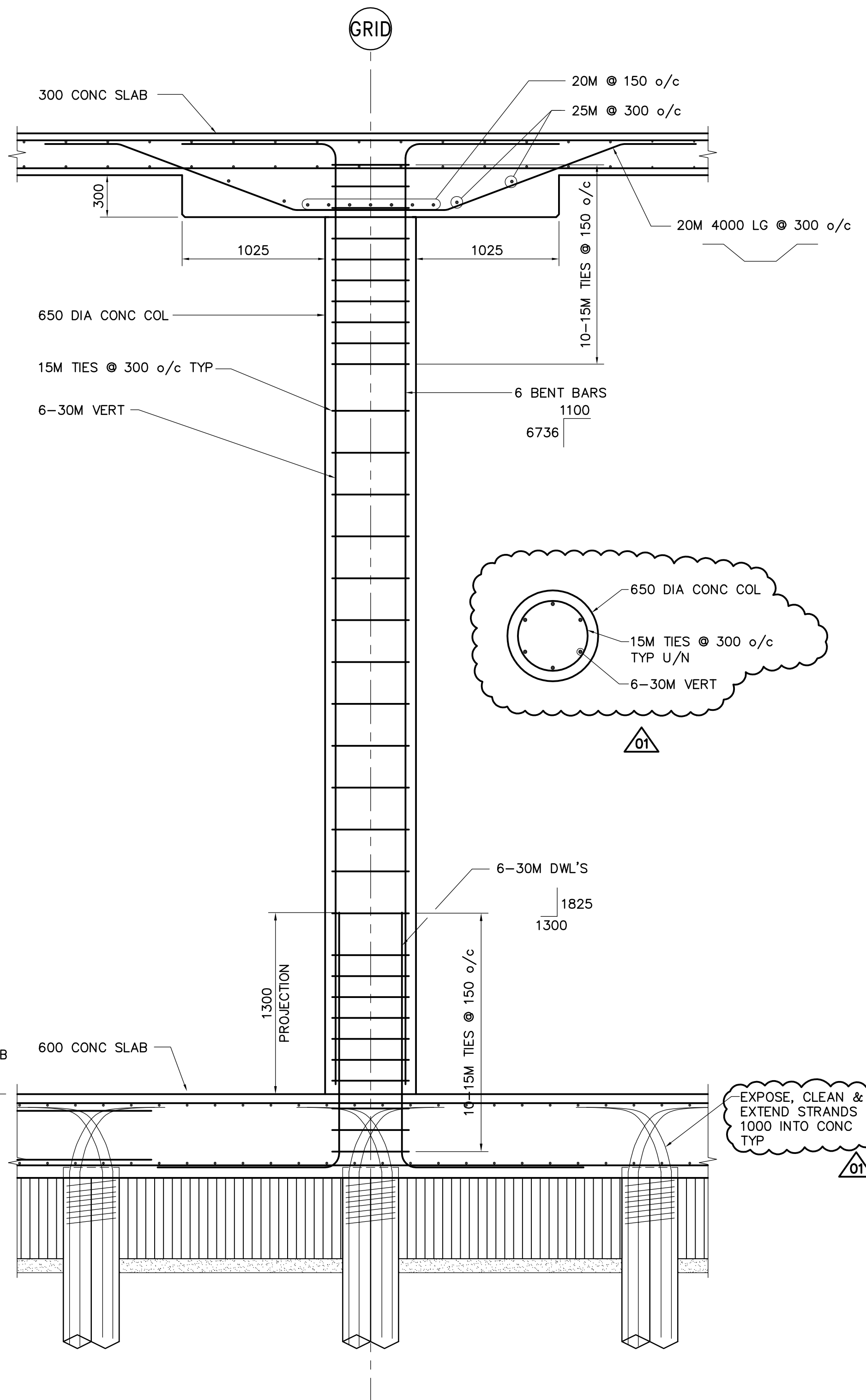


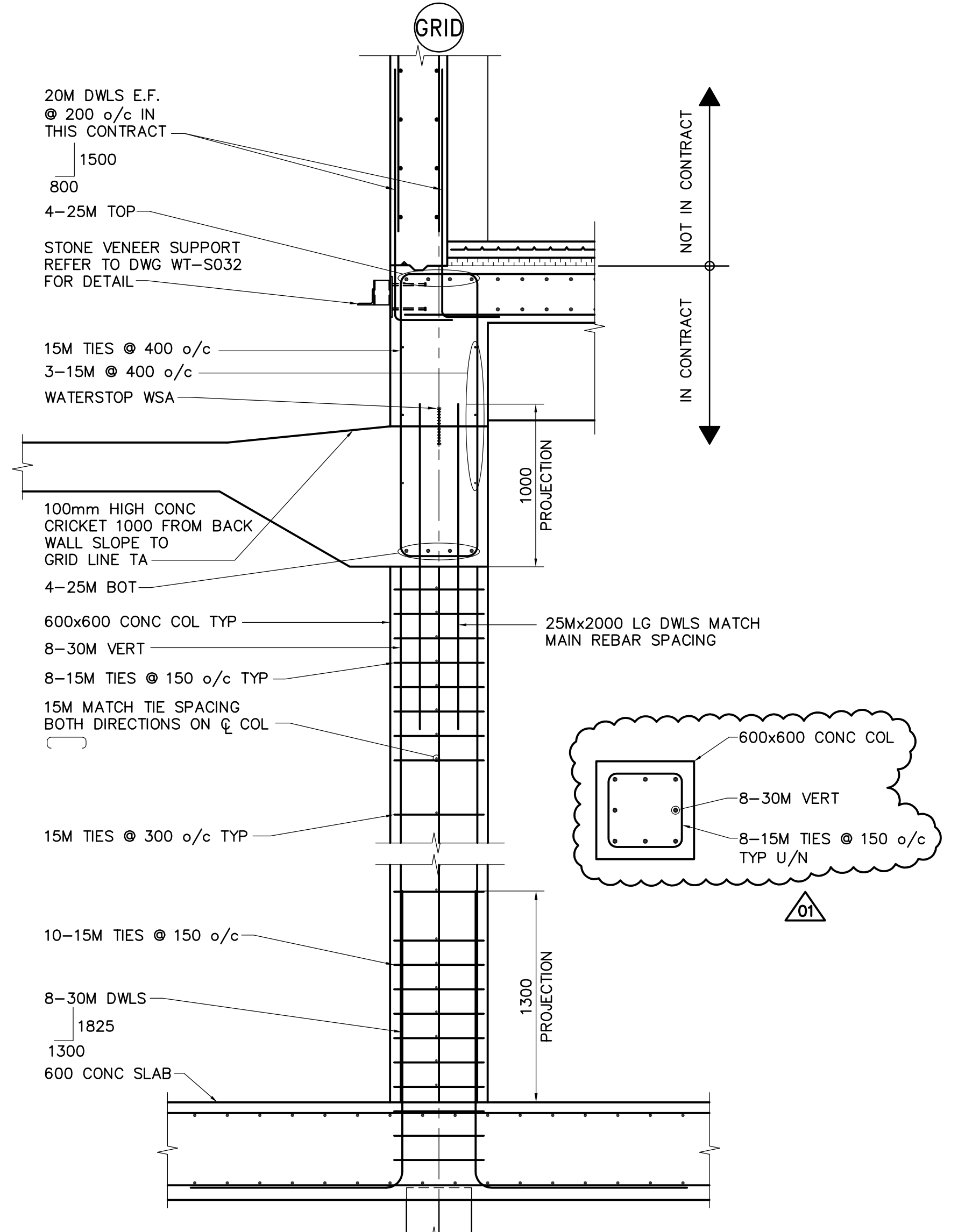
A DETAIL
WT-S014 1:25



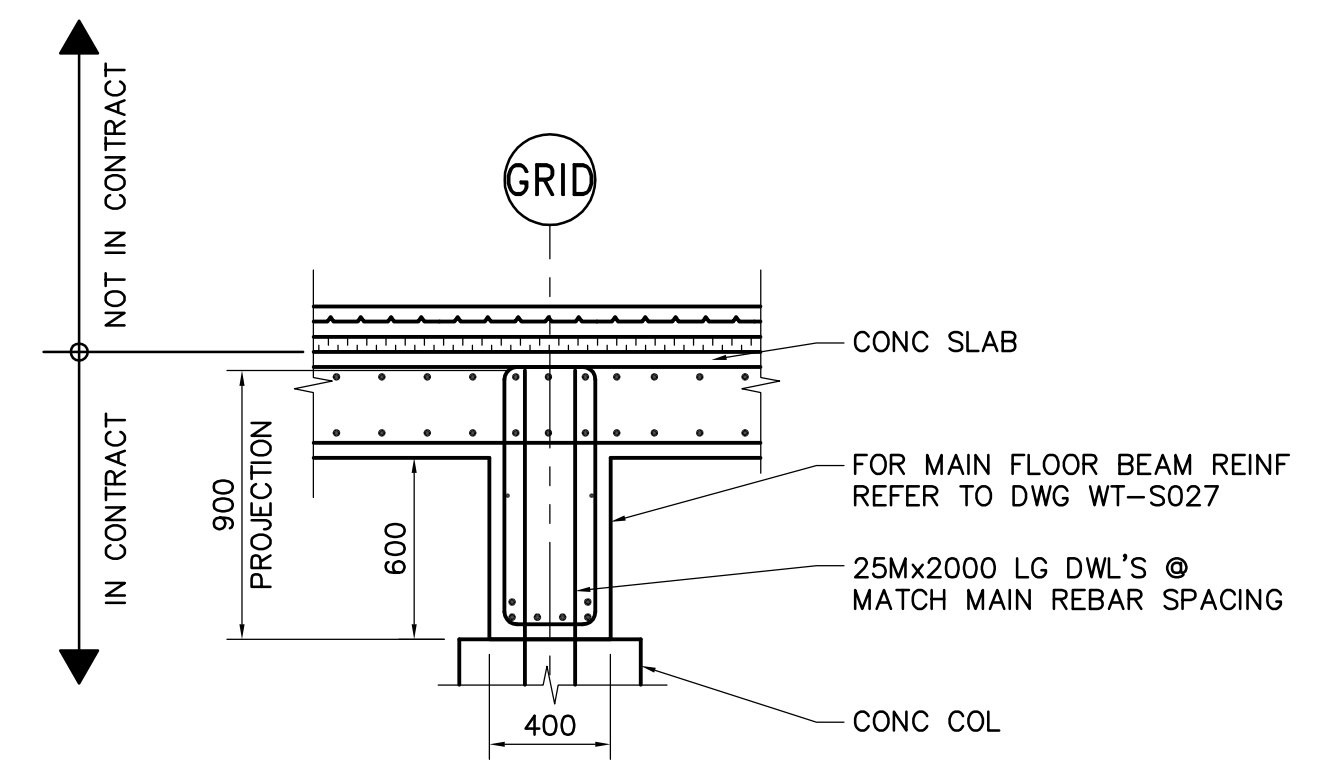
E DETAIL
WT-S018 1:10



B DETAIL
WT-S014 1:25



C DETAIL
WT-S014 1:25



D DETAIL
WT-S014 1:25

DRAWING NOTES:
1. REFER TO DRAWING WT-S001 FOR GENERAL NOTES.

APEGM
Certificate of Authorization
Earth Tech Canada Inc.
No. 730 Expiry: April 30, 2006

B.M. ELEV.			
DESIGNED BY	FK	CHECKED BY	MK
DRAWN BY	C.T. / WDB	APPROVED BY	AHL
HOR. SCALE:	AS NOTED	RELEASED FOR CONSTRUCTION BY:	R. SOROKOWSKI
VERTICAL SCALE:		DATE	2005-02-09
DATE	2005/02/09	DATE	2005-04-17
NO.	REVISIONS	DATE	BY
01	166-2005 ADDENDUM 1	05/05/06	C.T.
00	ISSUED FOR TENDER	05/04/17	C.T.

CH2M HILL
Frederickson Cooper
ARCHITECTS

EarthTech
A Tyco International Ltd. Company

ENGINEER'S SEAL
ORIGINAL SIGNED BY
F.A. KEMP & ERIC
2005/04/17
CONSULTANT DRAWING NO.
WT-S016

THE CITY OF WINNIPEG
WATER AND WASTE DEPARTMENT
ENGINEERING DIVISION

WATER TREATMENT PLANT CLEARWELL CONSTRUCTION

CITY FILE NUMBER
SHEET OF
CITY DRAWING NUMBER
1-060T-A-80016-001-01D

STRUCTURAL SECTIONS AND DETAILS