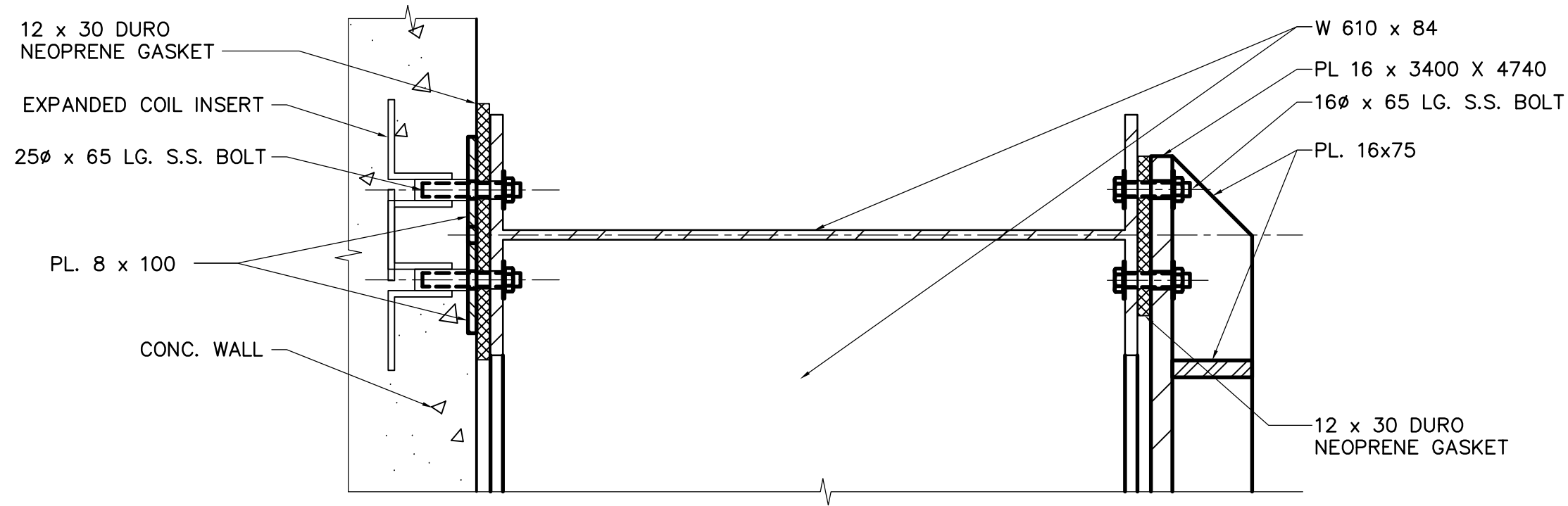
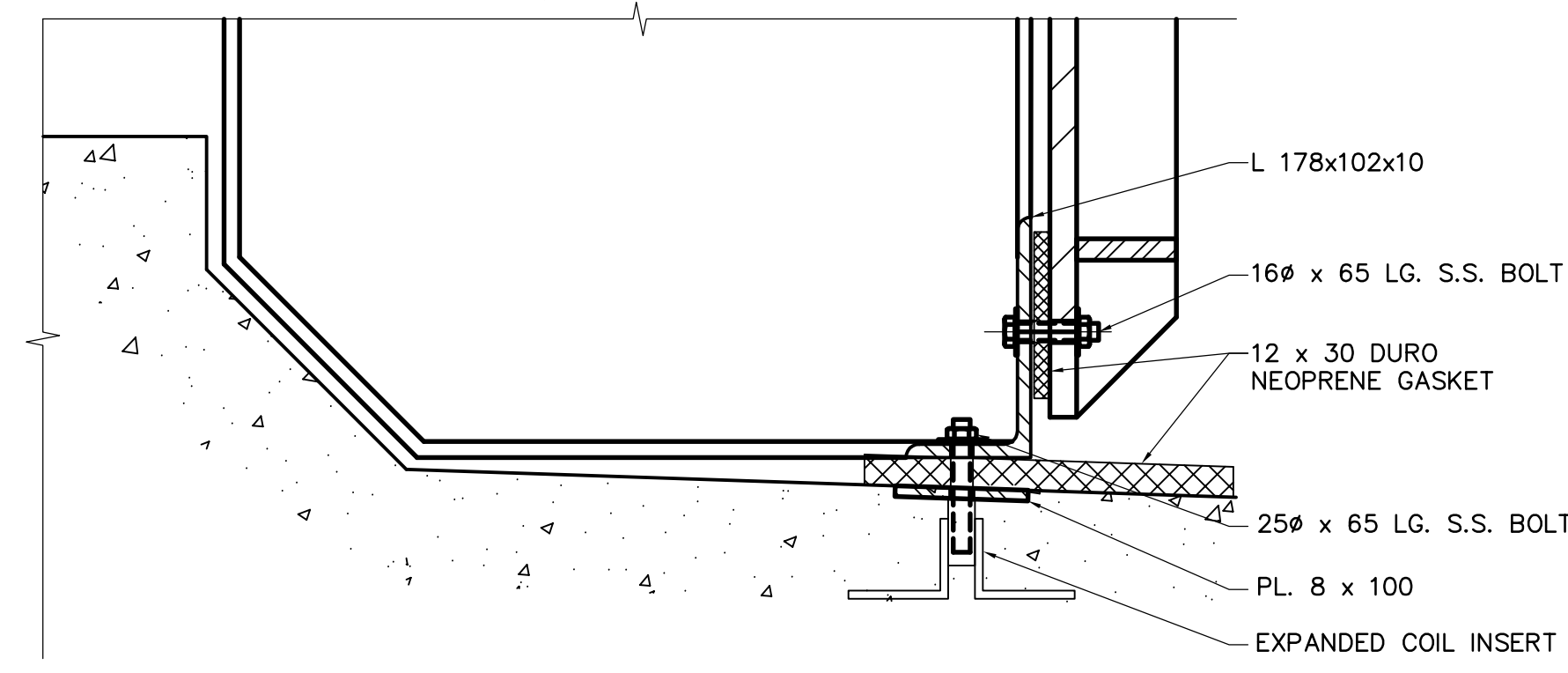


**SLUICE GATE TEST FRAME**  
N.T.S.

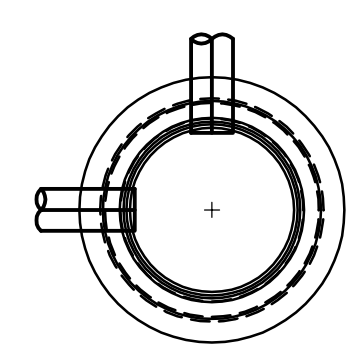
NOTE:  
CONTRACTOR TO ALLOW FOR FABRICATION COST IN THIS CONTRACT.



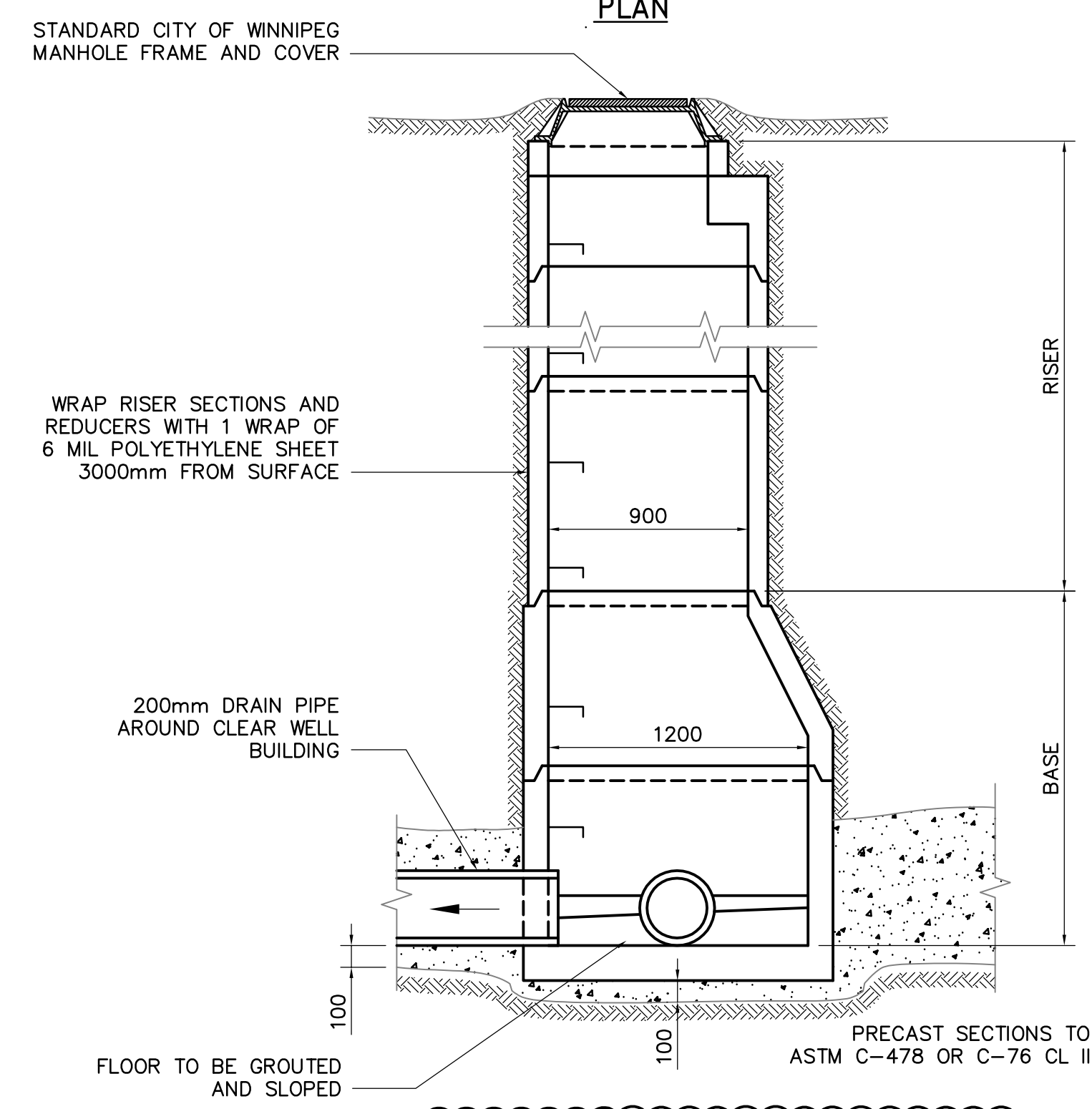
**DETAIL A**  
WT-S040  
1:5



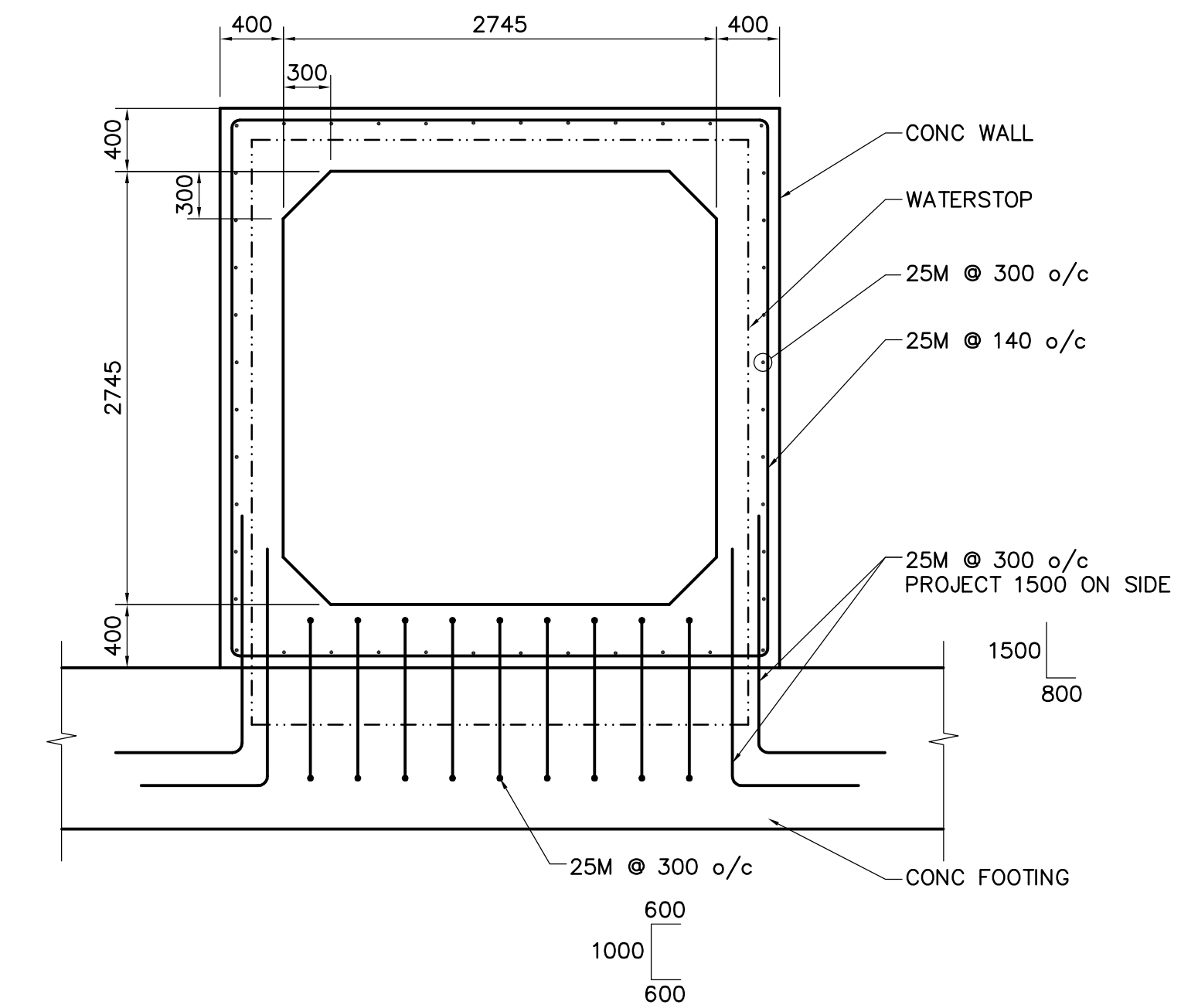
**DETAIL B**  
WT-S040  
1:5



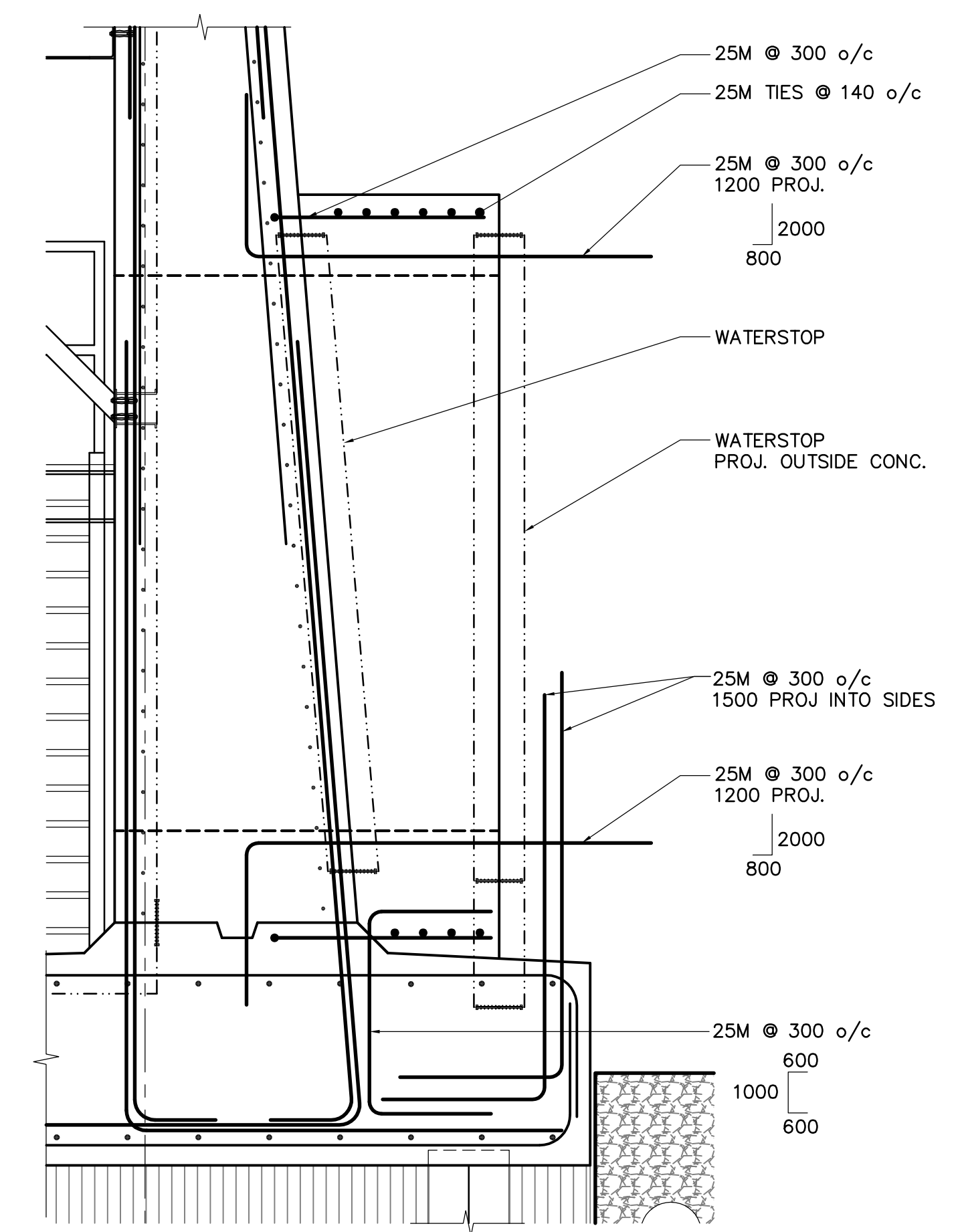
**PLAN**



**DETAIL SECTION OF MANHOLE**  
WT-S040  
N.T.S.



**TYPICAL REINFORCING AROUND TUNNEL OPENING**  
N.T.S.



**TYPICAL REINFORCING AROUND TUNNEL OPENING**  
N.T.S.

DRAWING NOTES:  
1. REFER TO DRAWING WT-S001 FOR GENERAL NOTES.  
(MANHOLE TO CITY OF WINNIPEG STANDARDS)

**APEGM**  
Certificate of Authorization  
Earth Tech Canada Inc.  
No. 730 Expiry: April 30, 2006

B.M. ELEV.			
01	166-2005 ADDENDUM 1	05/05/06	C.T.
00	ISSUED FOR TENDER	05/04/17	C.T.
NO.	REVISIONS	DATE	BY

**CH2M HILL**  
Frederickson Cooper  
ARCHITECTS

DESIGNED BY: FK  
DRAWN BY: WDB

CHECKED BY: MK  
APPROVED BY: AHL

HOR. SCALE: AS NOTED  
VERTICAL SCALE:

RELEASED FOR CONSTRUCTION BY:  
**R. SOROKOWSKI**

DATE: 2005/04/13  
DATE: 2005-04-17

ENGINEER'S SEAL

ORIGINAL SIGNED BY:  
**F.A. KEMP**

2005/04/17

CONSULTANT DRAWING NO.  
WT-S040

**THE CITY OF WINNIPEG**  
WATER AND WASTE DEPARTMENT  
ENGINEERING DIVISION

**WATER TREATMENT PLANT CLEARWELL CONSTRUCTION**

STRUCTURAL MISCELLANEOUS DETAILS

CITY FILE NUMBER  
SHEET OF  
CITY DRAWING NUMBER  
**1-060T-D-S0040-001-01D**