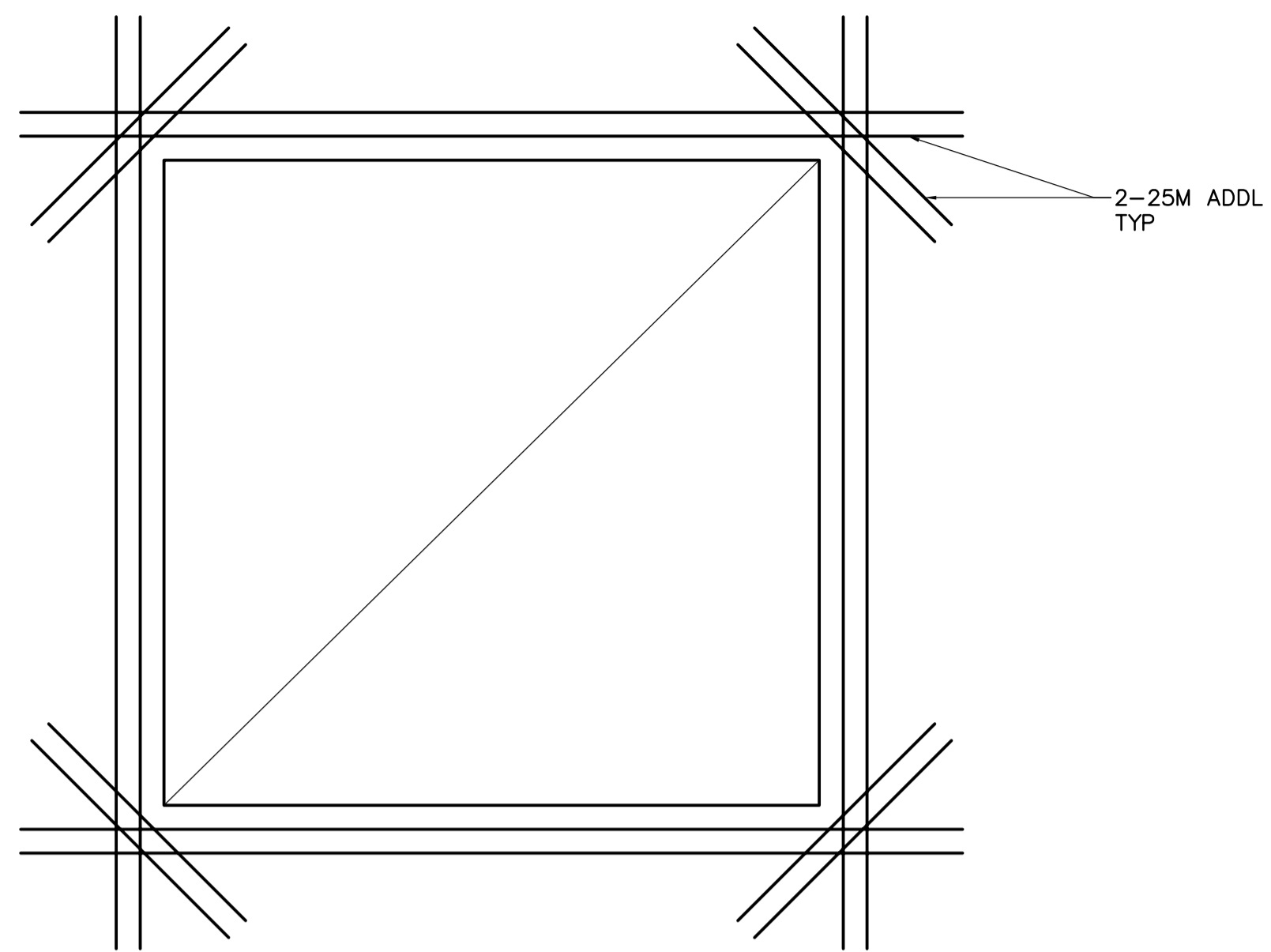
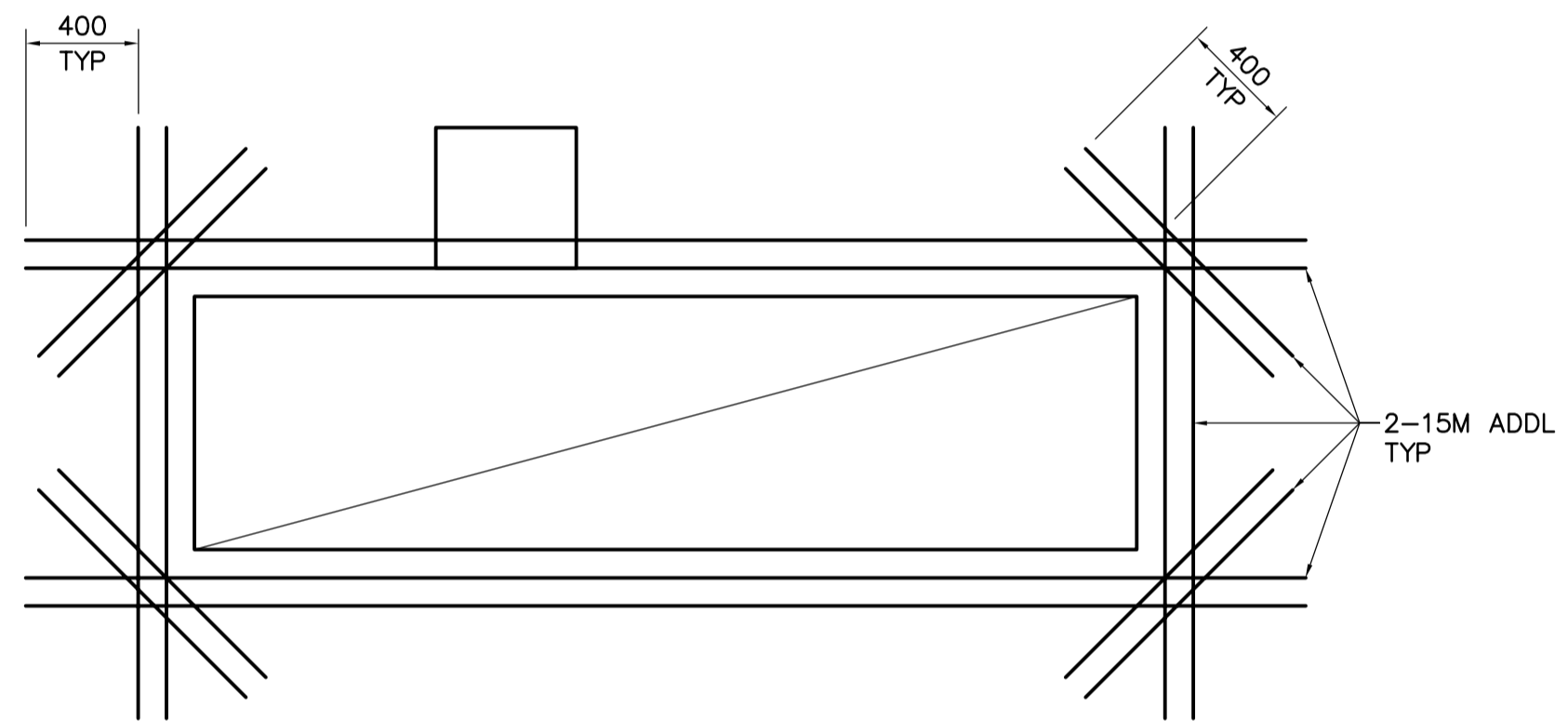


TYPICAL ALUMINUM LADDER DETAIL  
N.T.S.

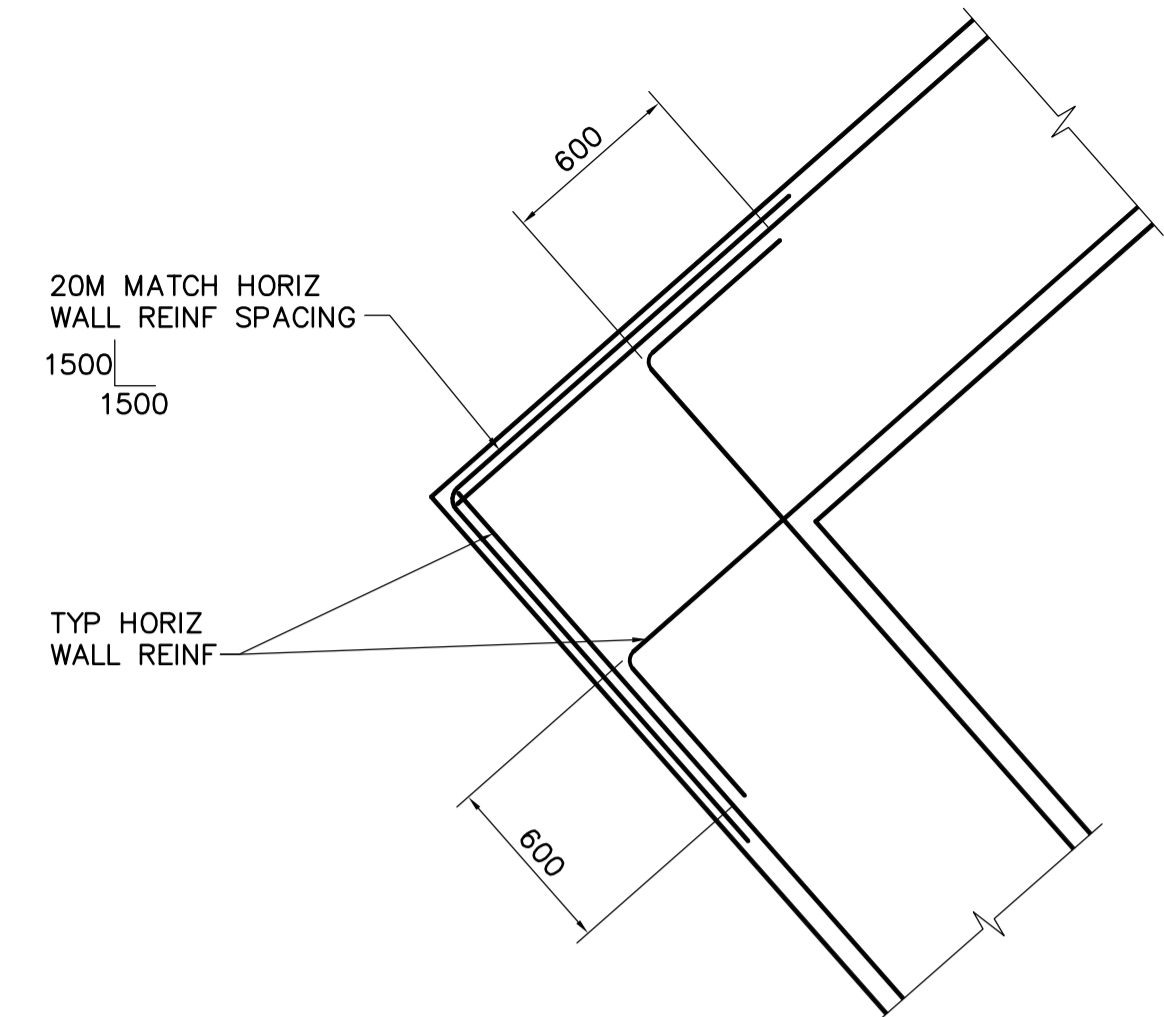
TYPICAL ALUMINUM LADDER SECTION  
N.T.S.



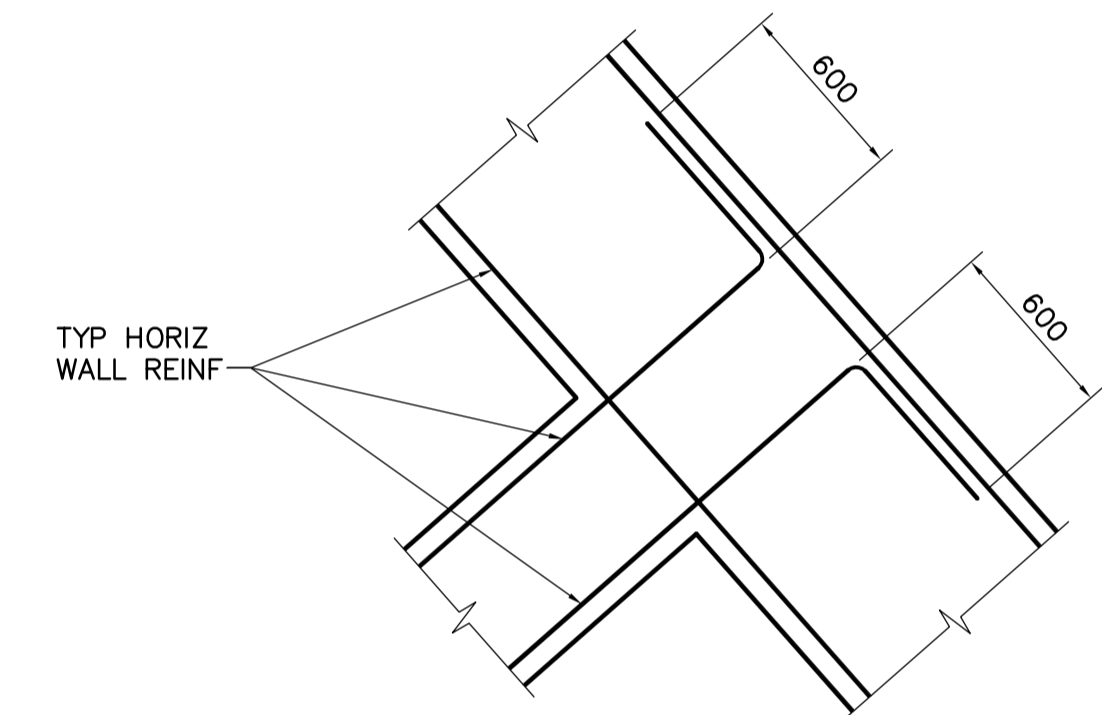
TYPICAL REINFORCING AROUND OPENINGS THROUGH CONCRETE WALL  
N.T.S.



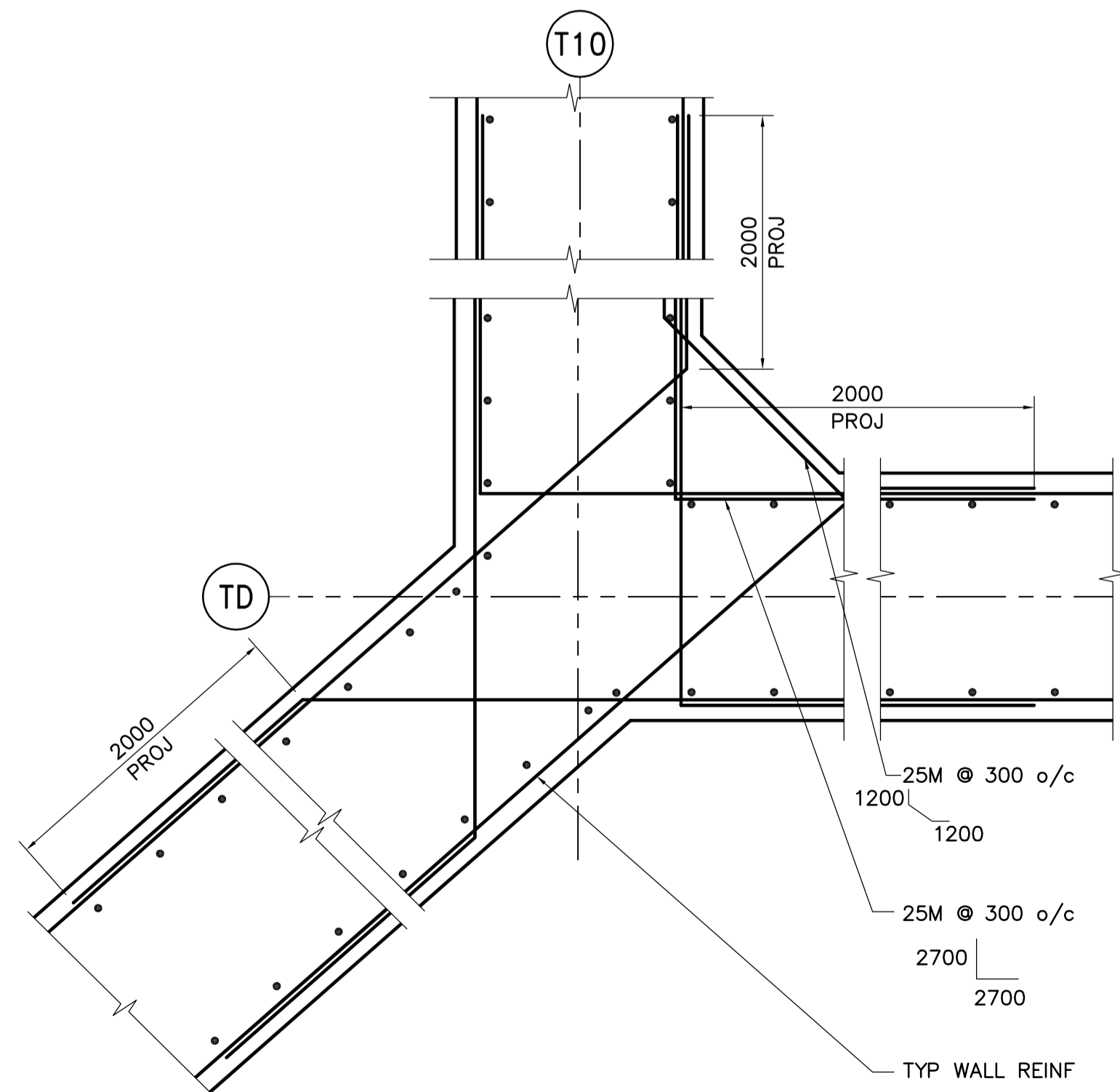
TYPICAL REINFORCING AROUND OPENINGS THROUGH CONCRETE SLAB  
N.T.S.



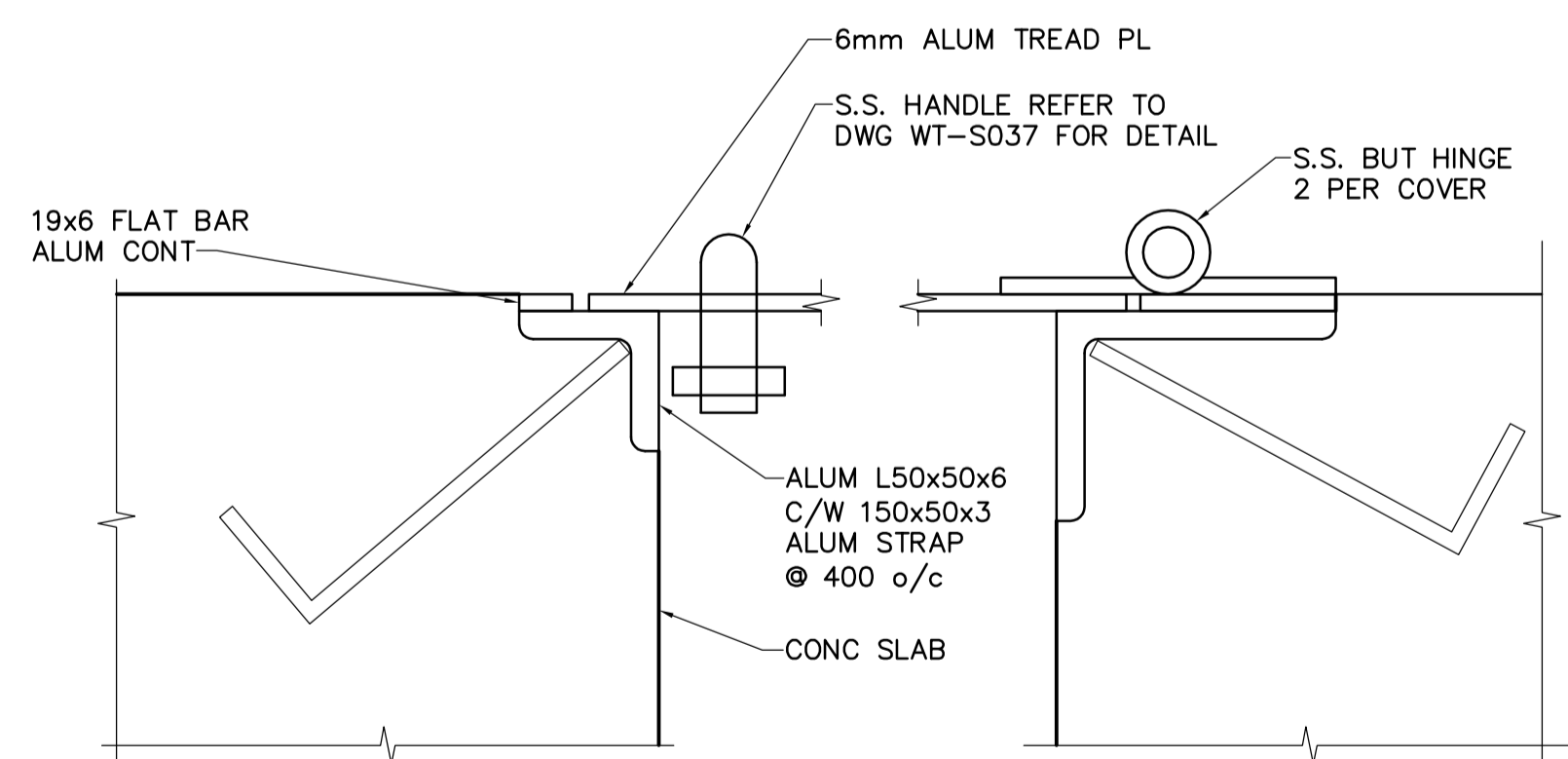
TYPICAL REINFORCING AT WALL CORNER AT OUTLET STRUCTURE  
N.T.S.



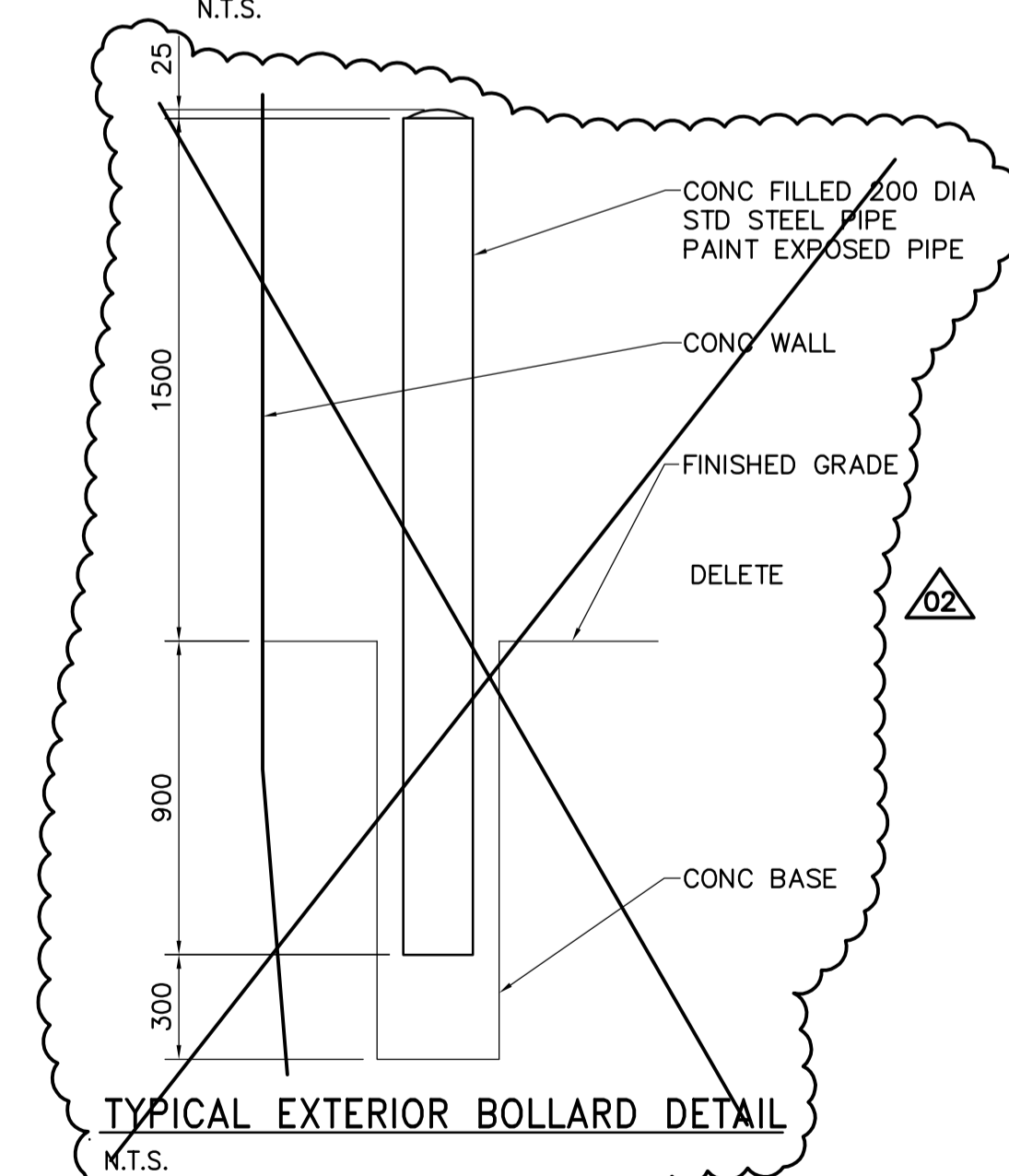
TYPICAL REINFORCING AT WALL INTERSECTION AT OUTLET STRUCTURE  
N.T.S.



WALL REINFORCING AT INTERSECTION GRIDLINES T10 AND TD  
N.T.S.



TYPICAL ALUMINUM COVER DETAIL  
N.T.S.



TYPICAL EXTERIOR BOLLARD DETAIL  
N.T.S.

**APECM**  
Certificate of Authorization  
Earth Tech Canada Inc.  
No. 730 Expiry: April 30, 2006

B.M. ELEV.			
02	166-2005 ADDENDUM 2	05/05/12	C.T.
01	166-2005 ADDENDUM 1	05/05/06	C.T.
00	ISSUED FOR TENDER	05/04/17	C.T.
NO.	REVISIONS	DATE	BY

**CH2MHILL**  
Frederickson Cooper  
ARCHITECTS

DESIGNED BY	FK	CHECKED BY	MK
DRAWN BY	CMS	APPROVED BY	AHL
HOR. SCALE:	AS NOTED	RELEASED FOR CONSTRUCTION BY:	R. SOROKOWSKI
VERTICAL SCALE:			
DATE	2005/03/10	DATE	2005-04-17

**EarthTech**  
A Technological U.S. Company

ENGINEER'S SEAL  
ORIGINAL SIGNED BY  
F.A. KEMP  
2005/04/17  
CONSULTANT DRAWING NO.  
WT-S033

**THE CITY OF WINNIPEG**  
WATER AND WASTE DEPARTMENT  
ENGINEERING DIVISION

**WATER TREATMENT PLANT  
CLEARWELL CONSTRUCTION**

STRUCTURAL  
STANDARD DETAILS

CITY FILE NUMBER  
SHEET OF  
CITY DRAWING NUMBER  
1-060T-D-S0033-001-02D