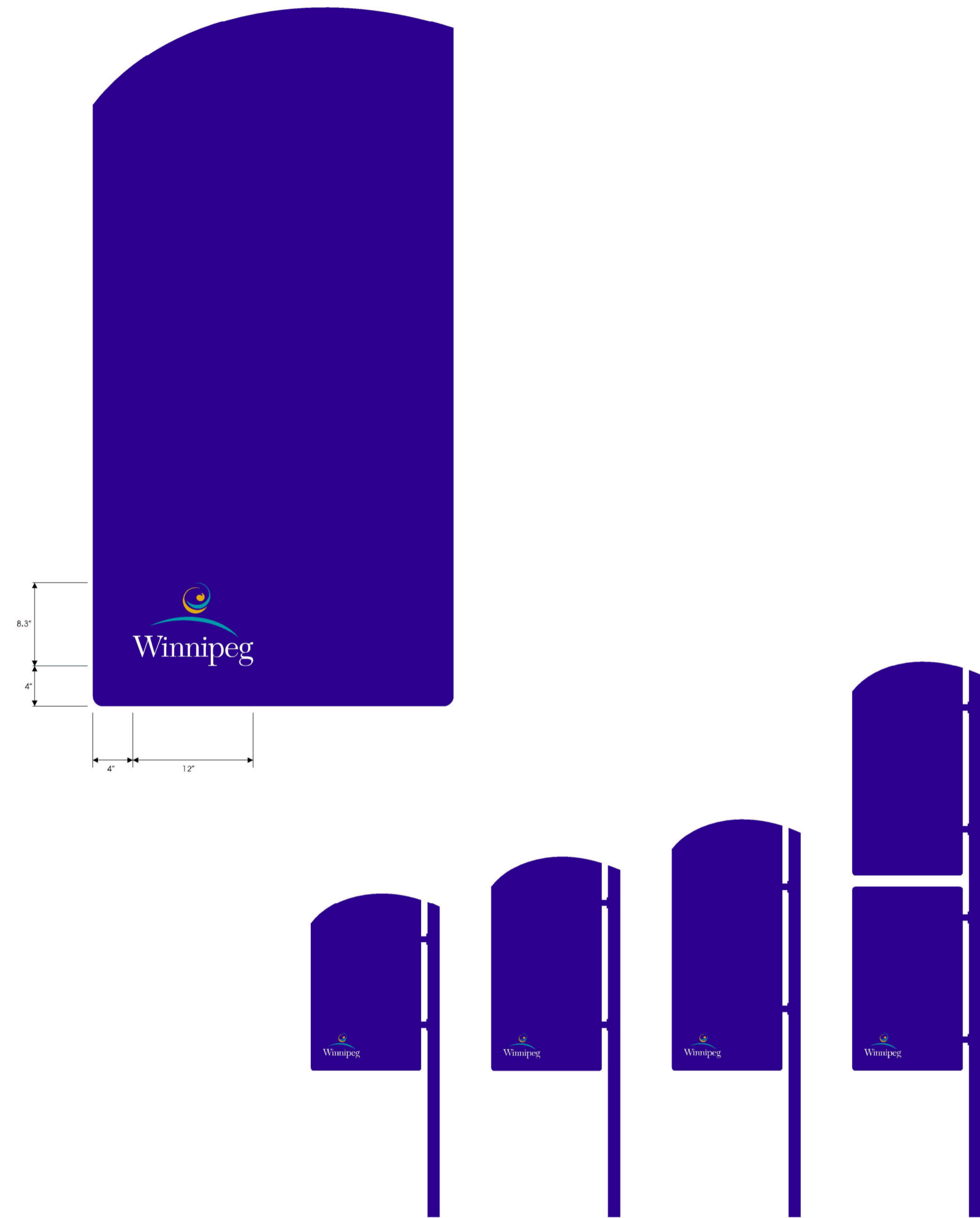


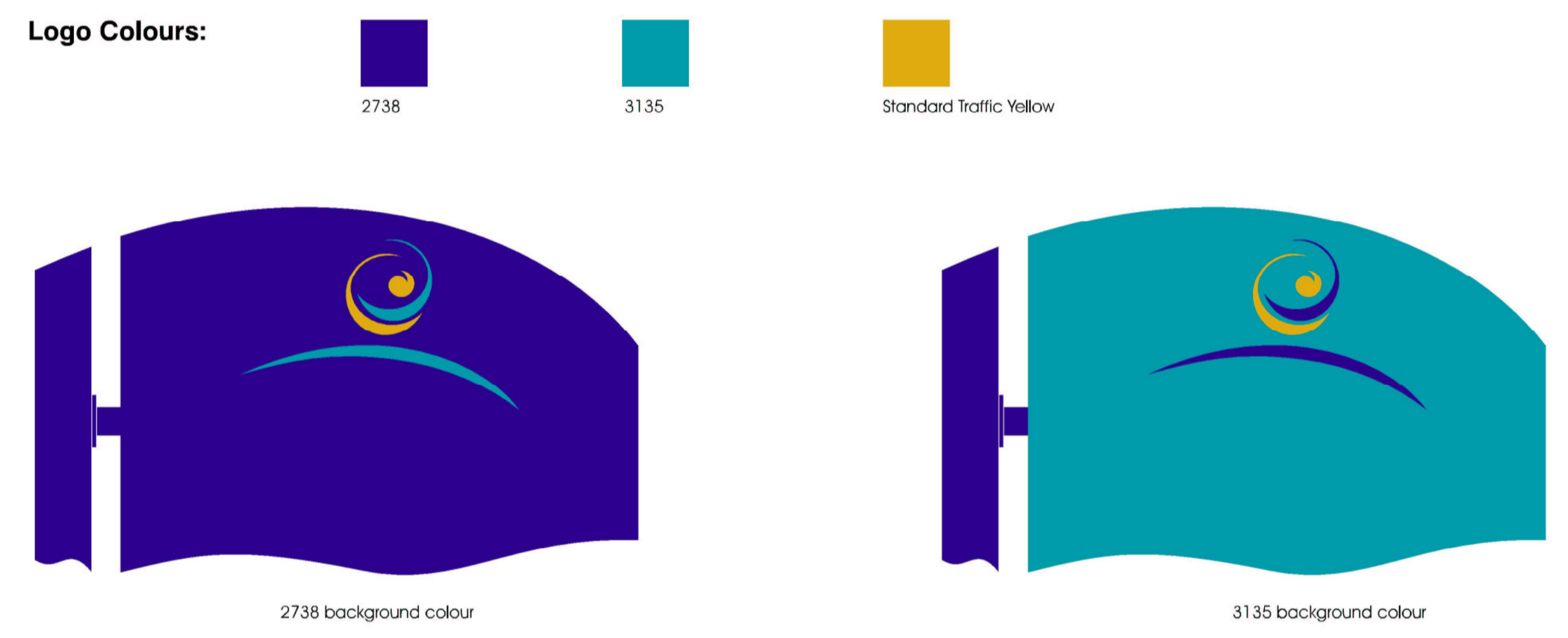
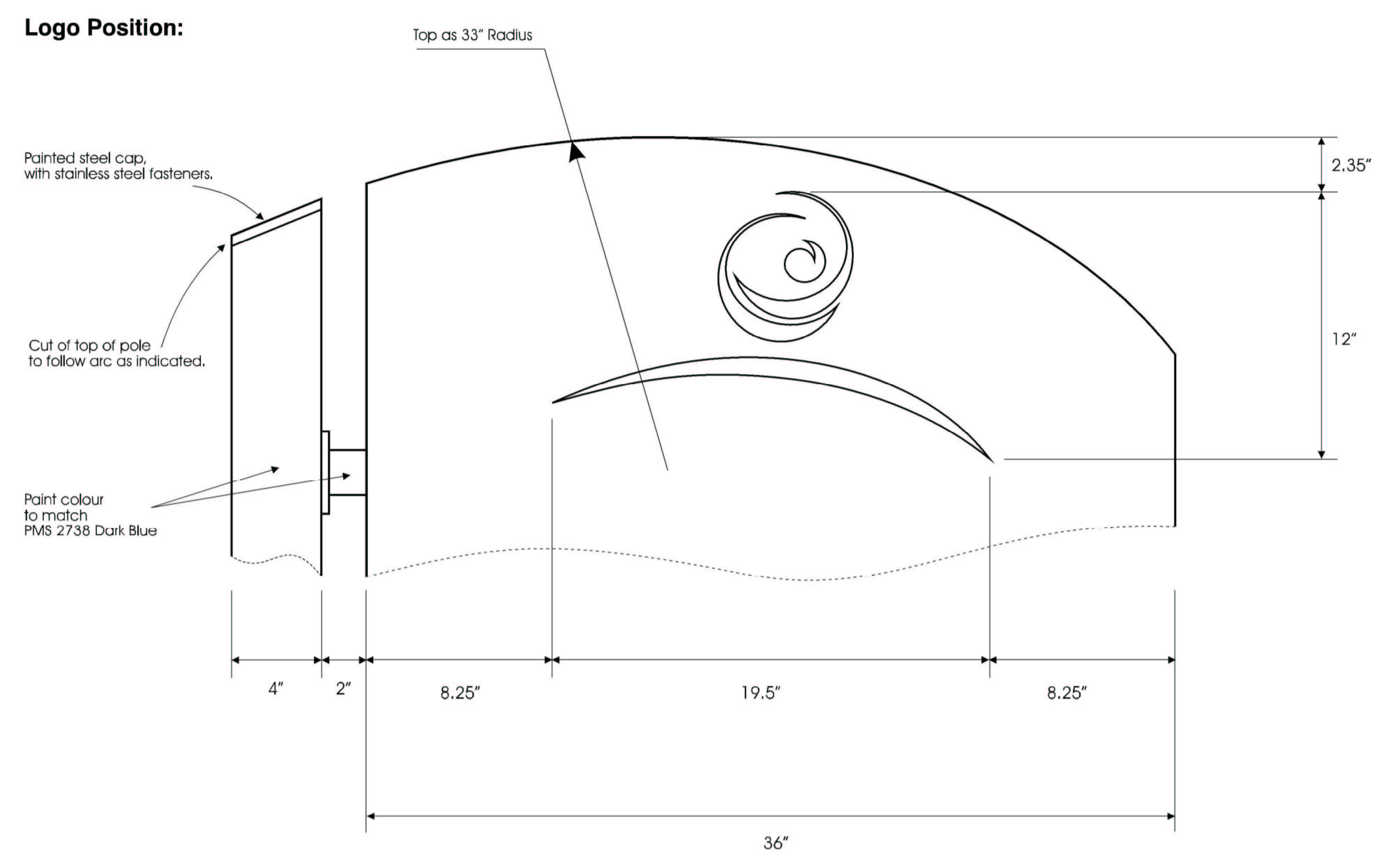
Sign Back for Box Sign Manufacturing Option



Informing Design, Inc. 4 Smithfield St. 7th Floor Pittsburgh, PA 15222 Phone 412-261-0446	City of Winnipeg Traffic Wayfinder Sign System	"Kit of Parts" Design Details
		Date 16 August, 2004 Drawing No. 2.24

TYPICAL SIGN BACK PANEL COLOUR SCHEME

Logo & Pole Top Detail



Logo: All pieces cut from pre-coloured High Intensity Reflective material & positioned as indicated.
 Note: Logos are not used on bottom sign of 2 sign installations.

Informing Design, Inc. 4 Smithfield St. 7th Floor Pittsburgh, PA 15222 Phone 412-261-0446	City of Winnipeg Traffic Wayfinder Sign System	"Kit of Parts" Design Details
		Date 16 August, 2004 Drawing No. 2.03

TYPICAL CITY OF WINNIPEG LOGO COLOUR SCHEME

DRAWING REDUCED
NOT TO SCALE

B.M. ELEV.	DESIGNED BY S.S.R.	DILLON CONSULTING	S.S. RIHAL REGISTERED PROFESSIONAL ENGINEER	THE CITY OF WINNIPEG PUBLIC WORKS DEPARTMENT	CITY DRAWING NUMBER WF-05-04
	DRAWN BY M.R.D.				
CHECKED BY S.S.R.	REVIEWED BY	RELEASED FOR CONSTRUCTION	CONSULTANT PROJECT NO.	SCOPE OF WORK SHEET 3 OF 3	
HOR. SCALE N/A	VERTICAL	DATE	05-4794-1000		
NO. REVISIONS	DATE	BY	DATE	JUNE 2005	