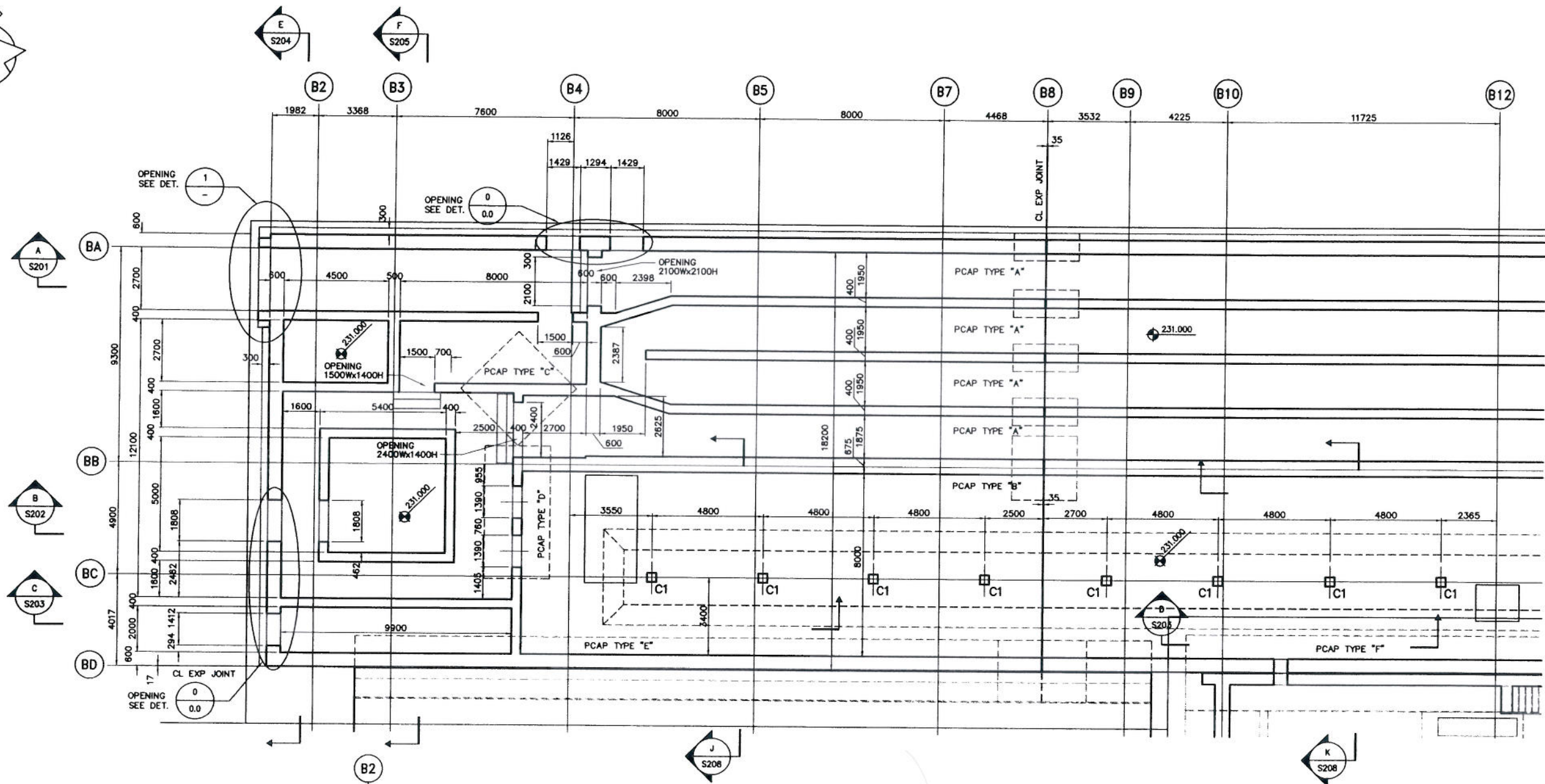
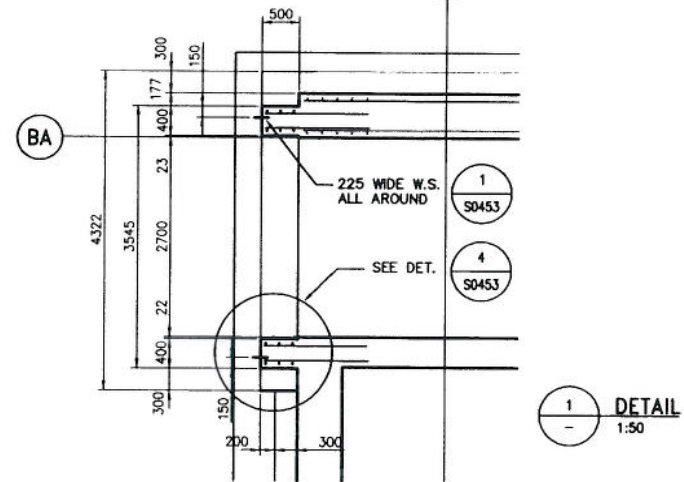


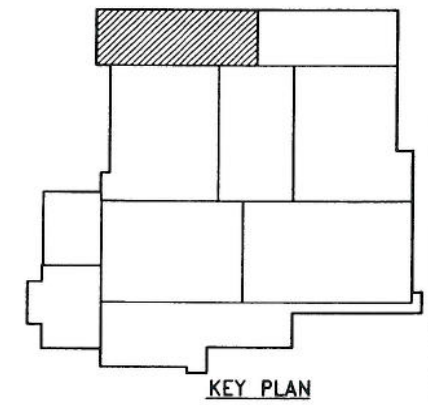
CHECK PRINT



LOWER LEVEL PLAN AT EL. 231.000
1:100



1 DETAIL
1:50



KEY PLAN



B.M. ELEV.			ENGINEER'S SEAL		
	DESIGNED BY	CHECKED BY	PRELIMINARY NOT FOR CONSTRUCTION	WATER TREATMENT PLANT FILTRATION	
	DRAWN BY PM	APPROVED BY		CITY FILE NUMBER	
	SCALE: 1:100	RELEASED FOR CONSTRUCTION BY:	CONSULTANT DRAWING NO. WF-S0101	SHEET OF	
NO. REVISIONS	DATE BY	DATE 2005/08/10	DATE	CITY DRAWING NUMBER	

STRUCTURAL FILTRATION AREA 1 LOWER LEVEL PLAN