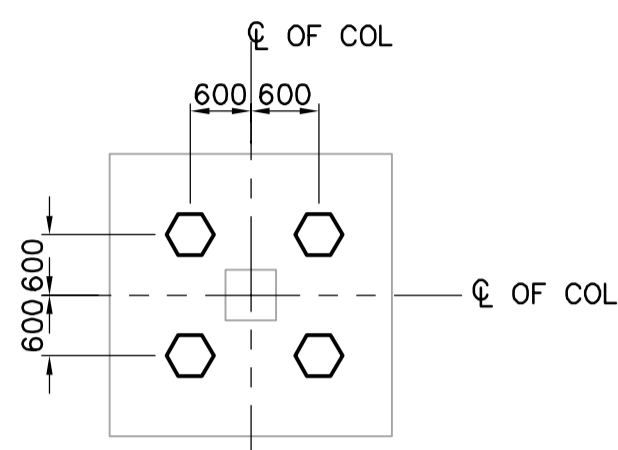
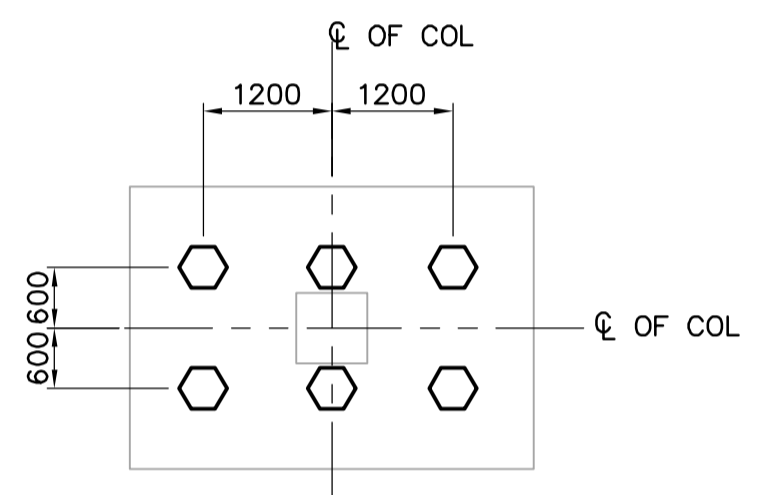


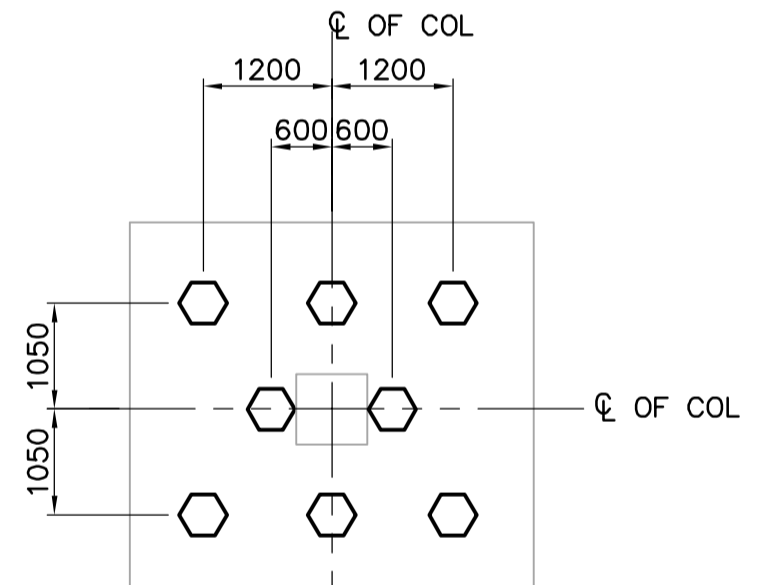
**TYPICAL 2 PILES DETAIL**  
1:75



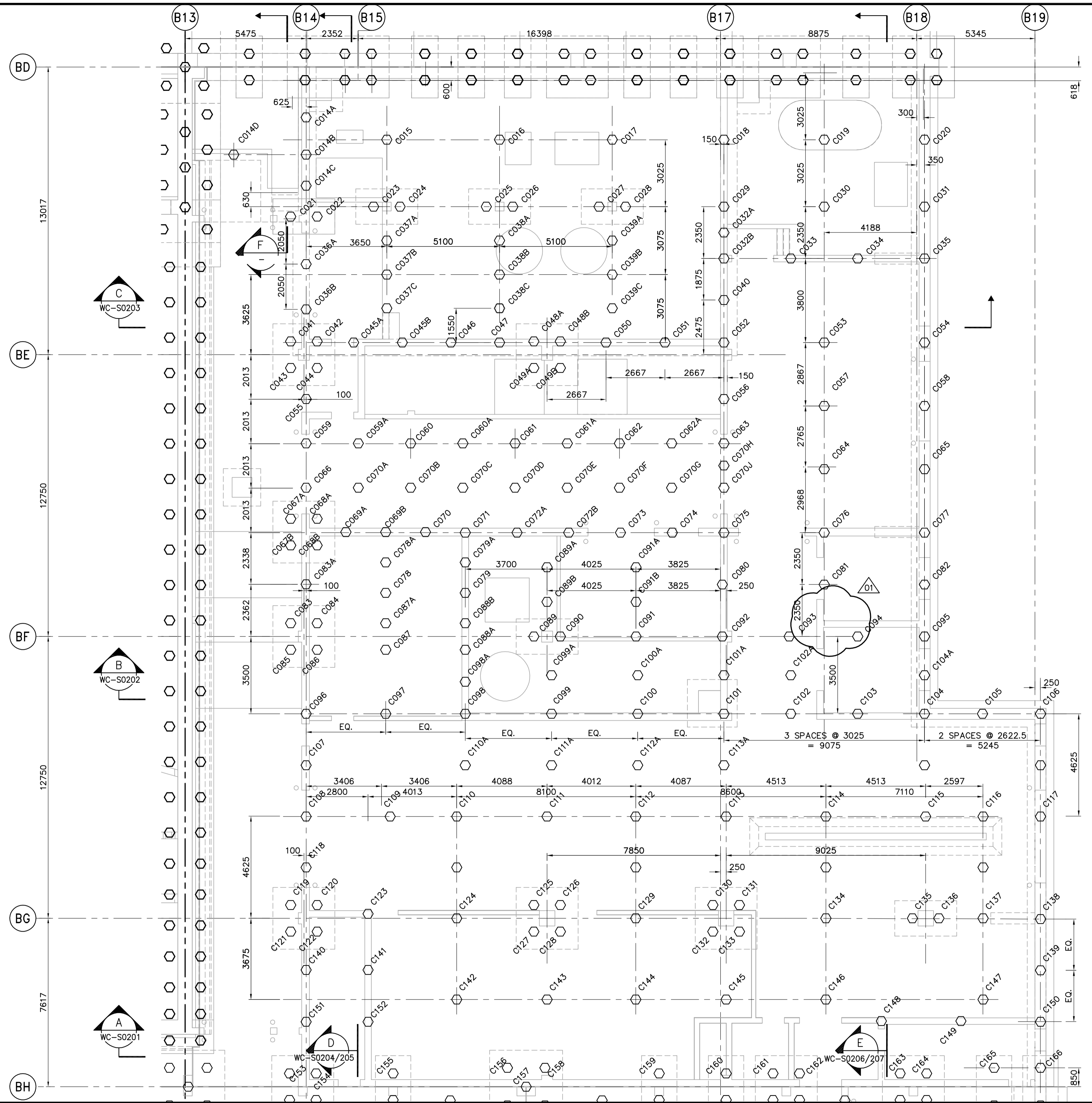
**TYPICAL 4 PILES DETAIL**  
1:75



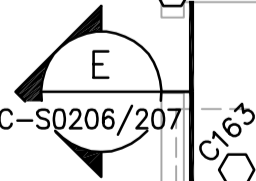
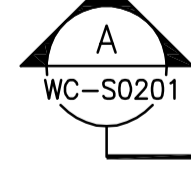
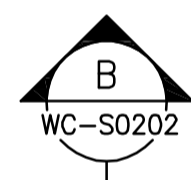
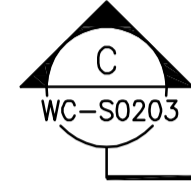
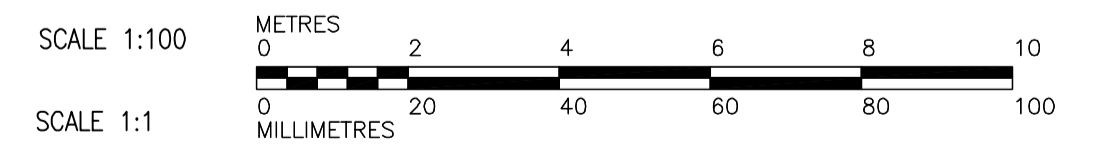
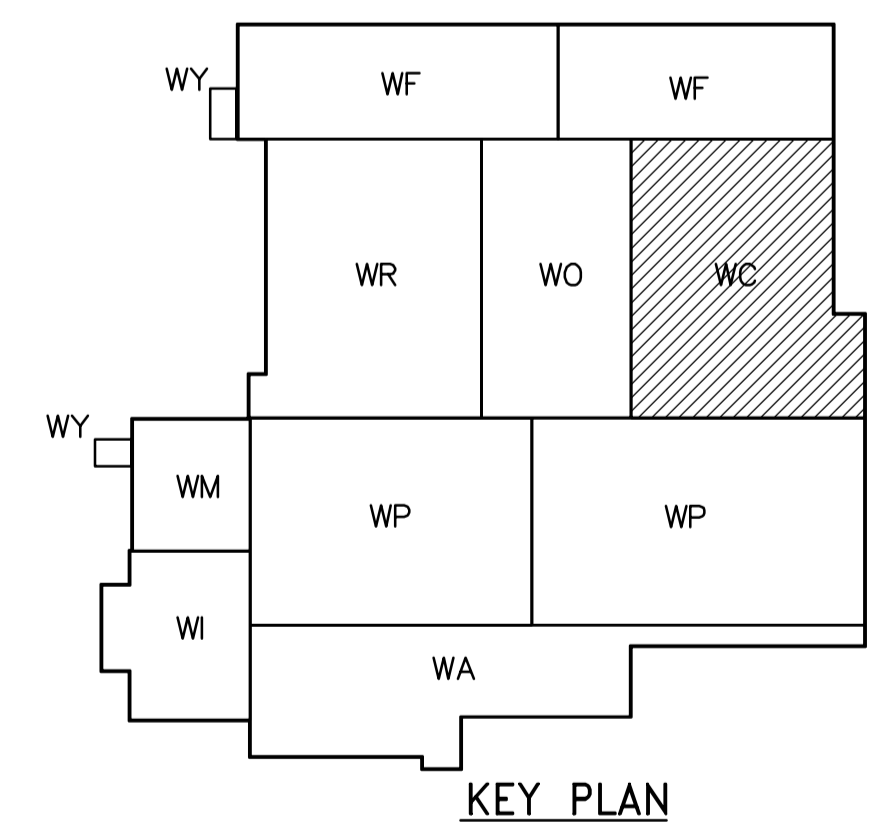
**TYPICAL 6 PILES DETAIL**  
1:75



**TYPICAL 8 PILES DETAIL**  
1:75



- NOTES:**
- FOR GENERAL NOTES SEE DWG WM-S9002.
  - NUMBERING OF PILES DOES NOT INDICATE SEQUENCE OF INSTALLATION.
  - ALL PILES TO BE 400# HEX.
  - NOT IN CONTRACT
  - PILES WITHOUT NUMBERS ARE CALLED UP ON THE DRAWINGS FOR THE ADJACENT AREA.
  - FOR TYPICAL CAST-IN-PLACE PILE EXTENSION AND CUT-OFF DETAILS SEE WP-S0460
  - SEE PILE SCHEDULE ON DWG WC-S0505.



**APECA**  
Certificate of Authorization  
CH2M HILL Canada Ltd.  
No. 1441 Expiry: April 30, 2006

NO.	REVISIONS	DATE	BY
01	583-2005 ADDENDUM 3	06/03/10	EL
00	ISSUED FOR TENDER	2006/02/03	EL

DESIGNED BY	EL	CHECKED BY	AP
DRAWN BY	DJ	APPROVED BY	DJT
SCALE:	1:100	RELEASED FOR CONSTRUCTION BY:	R. SOROKOWSKI
DATE	2005/07/08	DATE	2006/02/08

ENGINEER'S SEAL  
ORIGINAL SIGNED BY  
D. KRUGER  
2006/02/06  
CONSULTANT DRAWING NO.  
WC-F0105

**THE CITY OF WINNIPEG**  
WATER AND WASTE DEPARTMENT  
ENGINEERING DIVISION

WATER TREATMENT PLANT  
CHEMICAL FEED SYSTEMS  
FOUNDATIONS AND CONCRETE STRUCTURES

STRUCTURAL  
CHEMICAL AREA  
PILING PLAN

CITY FILE NUMBER  
SHEET OF  
CITY DRAWING NUMBER  
**1-0601C-B-F005-001-0D**