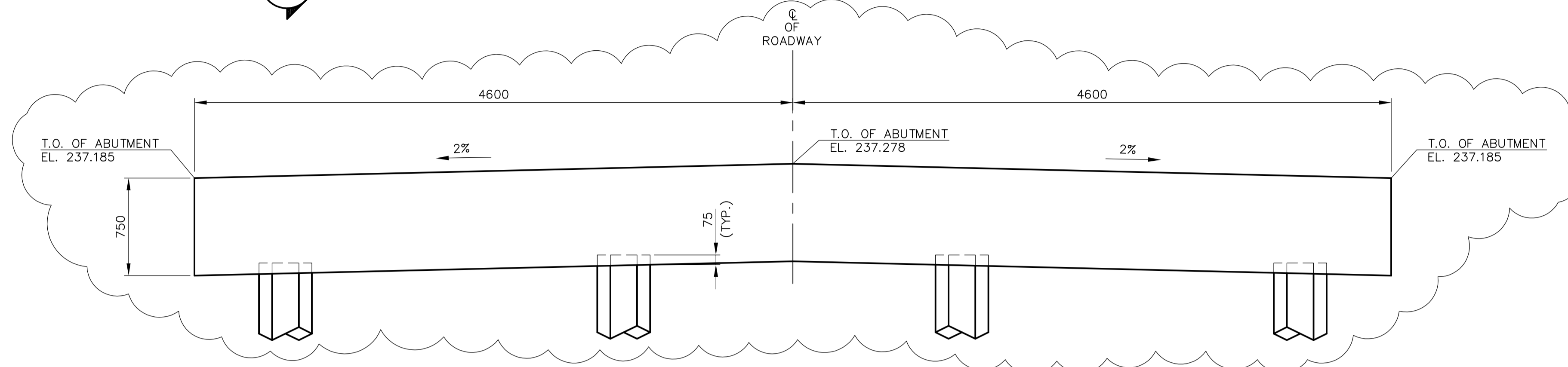


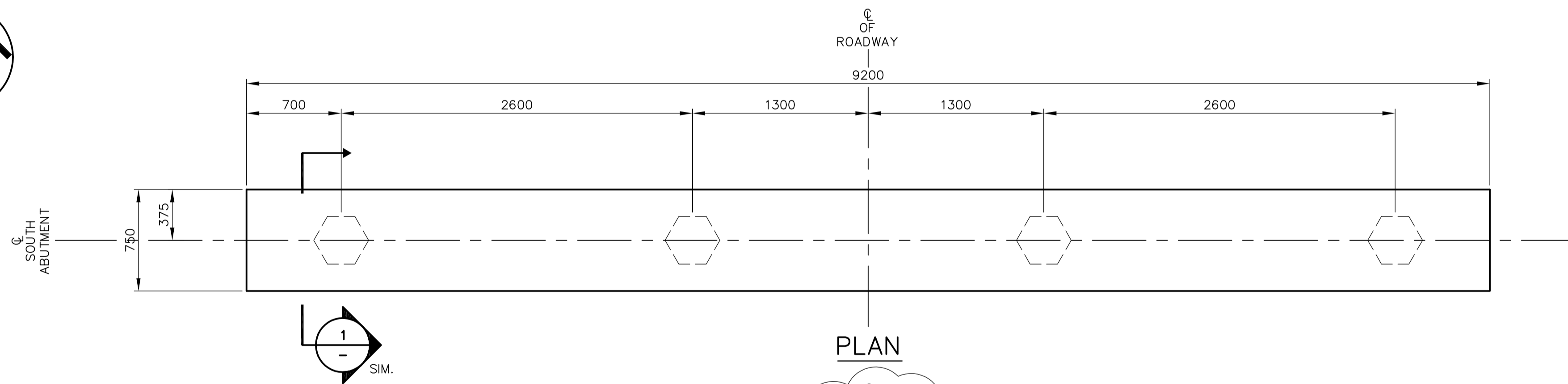
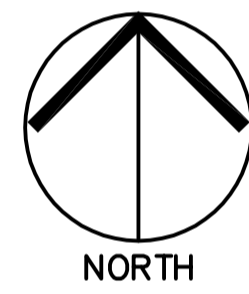
PLAN



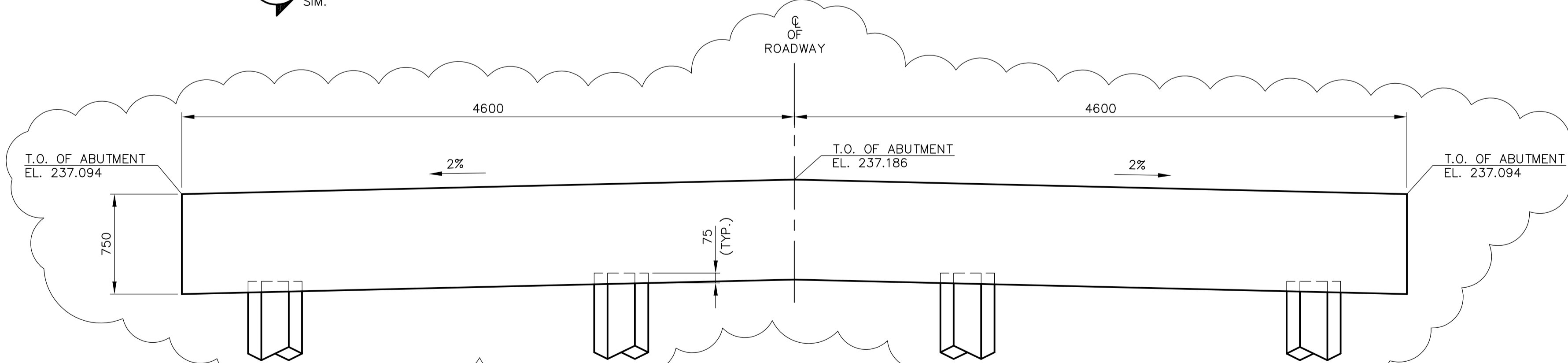
ELEVATION

NORTH ABUTMENT

SCALE 1:25



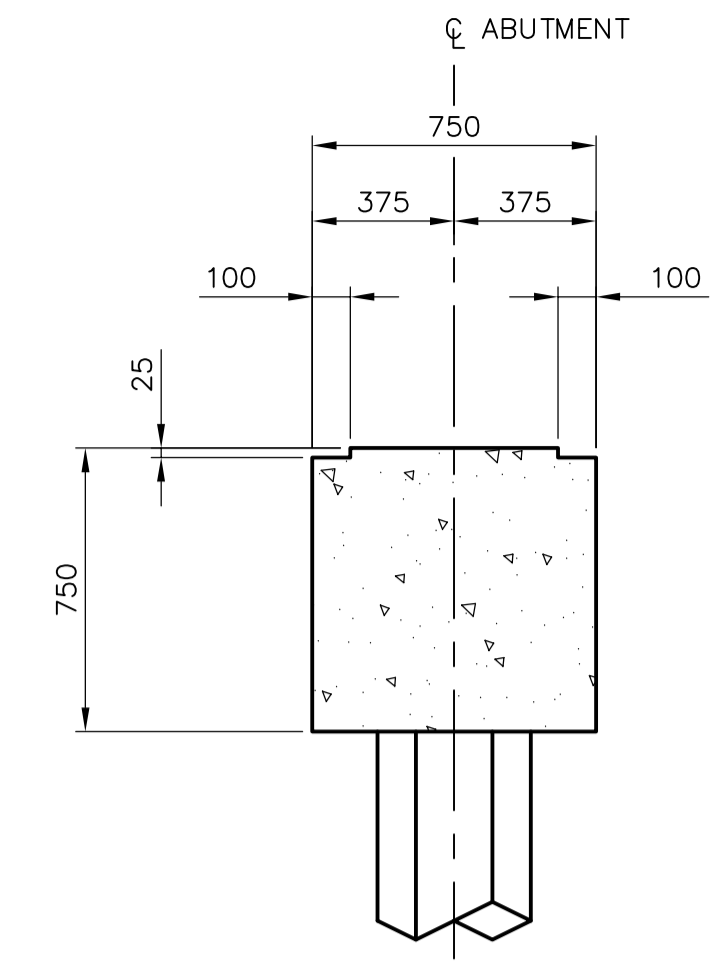
PLAN



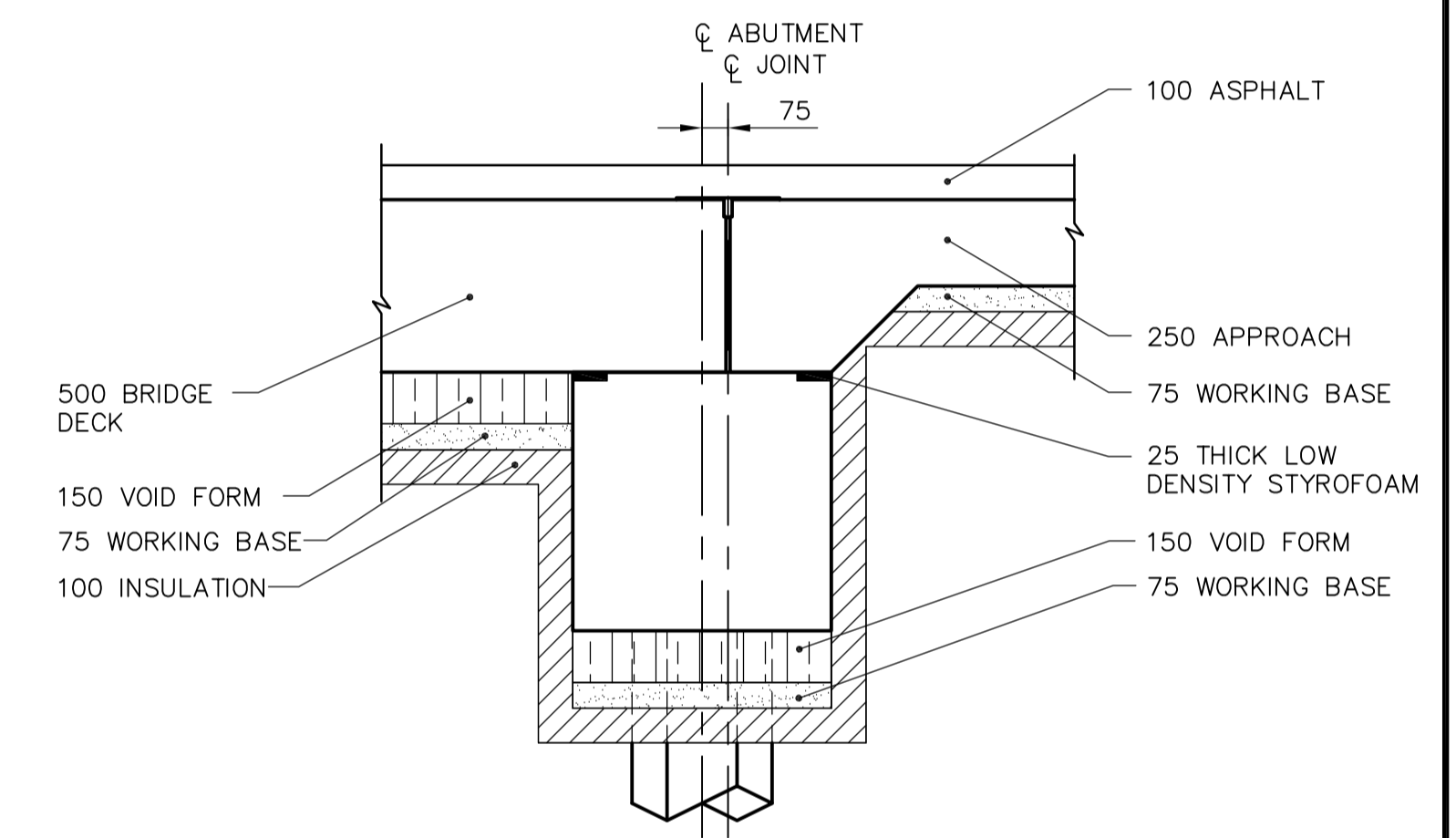
ELEVATION

SOUTH ABUTMENT

SCALE 1:25



1 SECTION  
SCALE 1:20



A DETAIL  
SCALE 1:20

NOTE:  
EACH PILE SHALL HAVE A MINIMUM (UNFACTORED) FLEXURAL CAPACITY OF 100 kN.m.

<p>Certificate of Authorization Earth Tech Canada Inc. No. 730 Expiry: April 30, 2006</p>	<p>Frederickson Cooper ARCHITECTS</p>	<p>A Terra International Ltd. Company</p>		<p>THE CITY OF WINNIPEG WATER AND WASTE DEPARTMENT ENGINEERING DIVISION</p>	
				<p>DESIGNED BY: AP CHECKED BY: EBL DRAWN BY: KC APPROVED BY: D.J. TANIGUCHI SCALE: AS NOTED RELEASED FOR CONSTRUCTION BY: R. SOROKOWSKI</p>	
<p>01 583-2005 ADDENDUM 3 06/03/09 KC 00 ISSUED FOR TENDER 06/02/03 KC</p>		<p>CONSULTANT DRAWING NO. WN-S0470</p>		<p>WATER TREATMENT PLANT AQUEDUCT BRIDGES FOUNDATIONS &amp; CONCRETE STRUCTURES</p>	
<p>NO. REVISIONS DATE BY</p>		<p>DATE 2006/08/29 DATE 2006/02/06</p>		<p>STRUCTURAL WESTERN BRIDGE ABUTMENT CONCRETE DETAILS</p>	
				<p>CITY FILE NUMBER SHEET 3 OF 8 CITY DRAWING NUMBER 1-060IN-A-S0470-001-0D</p>	