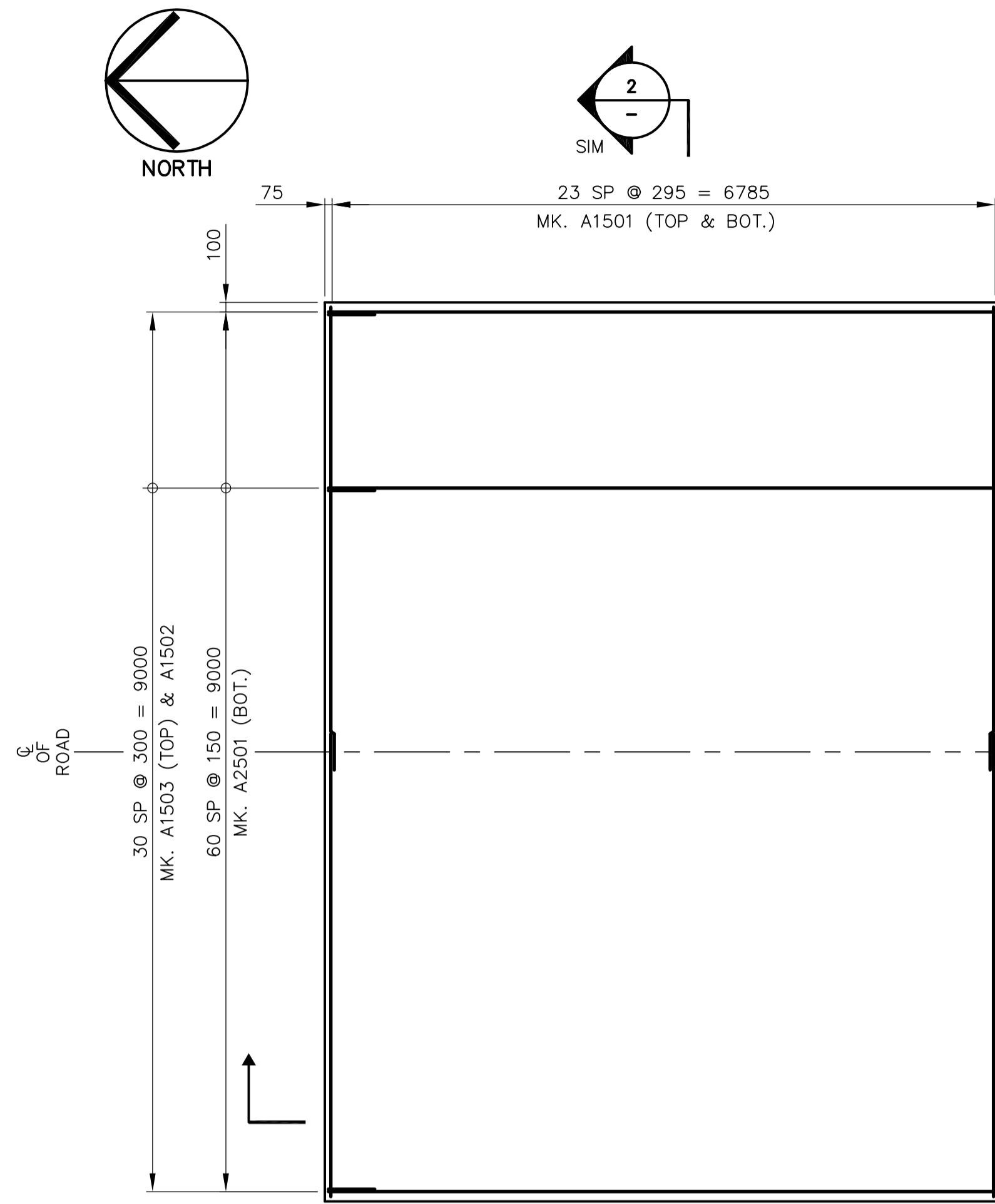


NORTH APPROACH
SCALE 1:50



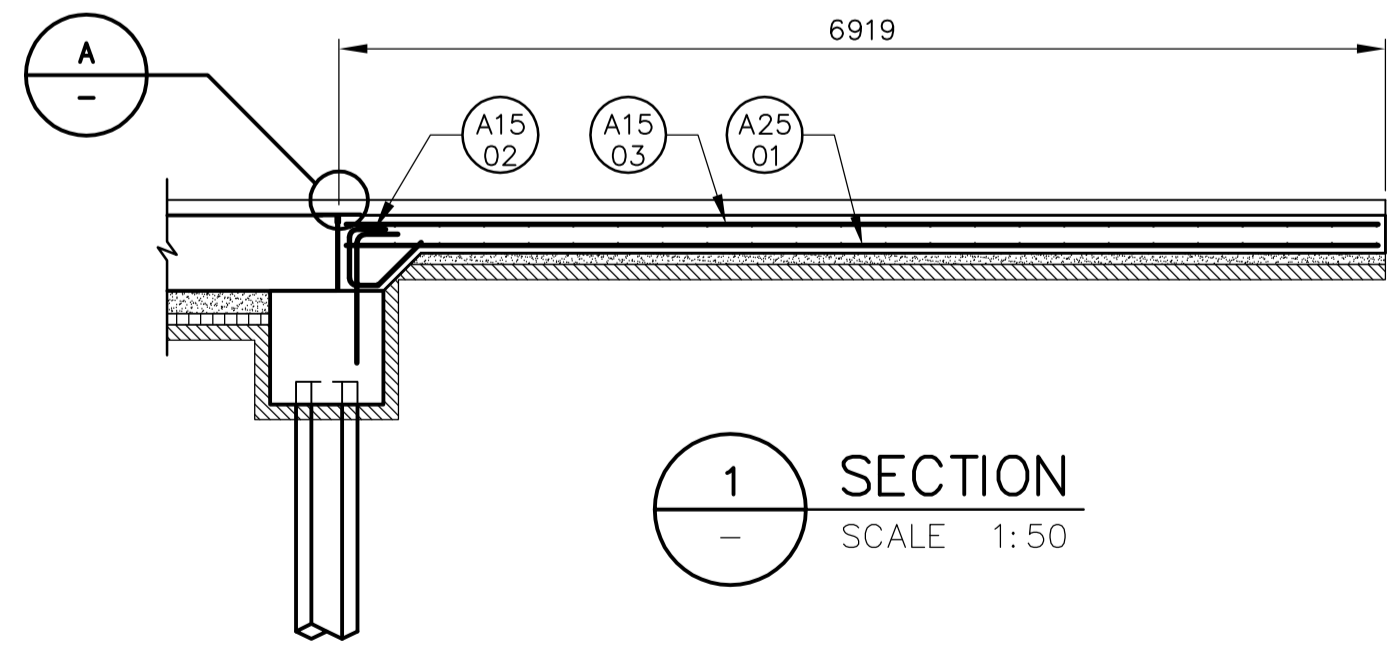
SOUTH APPROACH
SCALE 1:50

BILL OF REINFORCING STEEL FOR BOTH APPROACH							
STRAIGHT BARS				BENT BARS			
MK.	No.	LENGTH	MASS	MK.	No.	LENGTH	MASS
A1501	48	9100	1372	A1502	62	1675	163
A1503	62	6820	664				
A2501	122	6820	3266				
TOTAL MASS OF REINFORCING STEEL							5465 kg
TOTAL VOLUME OF STRUCTURAL CONCRETE (APPROACH SLABS)							33.75 m ³

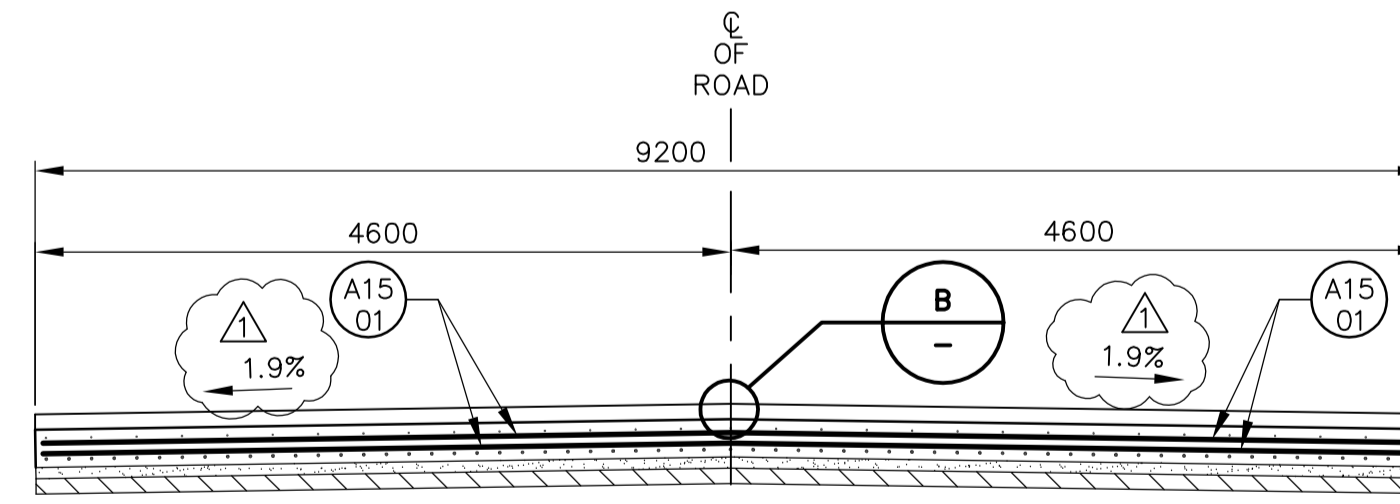
BENDING DIAGRAM							

NOTES:

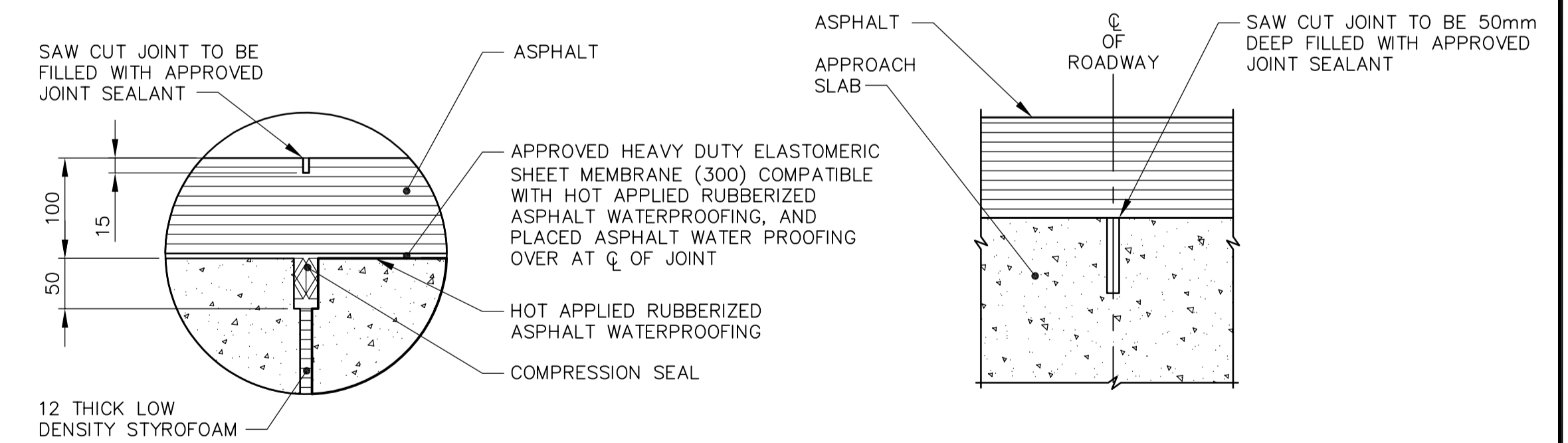
- ALL DIMENSIONS GIVEN ARE OUT TO OUT, EXCEPT RADII ARE INSIDE DIMENSIONS.
- ALL REINFORCING STEEL SHALL BE DEFORMED REINFORCING, UNLESS NOTED OTHERWISE IN THE ABOVE BILL OF REINFORCING STEEL.
- ALL REINFORCING STEEL SHALL CONFORM TO CAN/CSA G30.16-M92 GRADE 400W UNLESS NOTED OTHERWISE IN THE ABOVE BILL OF REINFORCING STEEL.
- LIKE BARS SHALL BE BUNDLED, SECURELY TIED AND IDENTIFIED AS TO MARK AND SITE No. BY APPROPRIATE MEANS. ALL OTHER ITEMS SHALL BE IDENTIFIED IN A SIMILAR FASHION.



1 SECTION
SCALE 1:50



2 SECTION
SCALE 1:50



A DETAIL
SCALE 1:5

B DETAIL
SCALE 1:5

<p>Certificate of Authorization Earth Tech Canada Inc. No. 730 Expiry: April 30, 2006</p>	<p>Frederickson Cooper ARCHITECTS</p>	<p>A Terra International Ltd. Company</p>	<p>ENGINEER'S SEAL PROVINCE OF MANITOBA ORIGINAL SIGNED BY E.B. LOEWEN Member 8325 06/02/06 REGISTERED PROFESSIONAL ENGINEER</p>	<p>DESIGNED BY: AP CHECKED BY: EBL</p>		<p>CONSULTANT DRAWING NO. WN-S0493</p>	<p>THE CITY OF WINNIPEG WATER AND WASTE DEPARTMENT ENGINEERING DIVISION</p>	<p>WATER TREATMENT PLANT AQUEDUCT BRIDGES FOUNDATIONS & CONCRETE STRUCTURES</p>	CITY FILE NUMBER
				<p>DRAWN BY: KC APPROVED BY: D.J. TANIGUCHI</p>	<p>RELEASED FOR CONSTRUCTION BY: R. SOROKOWSKI</p>				<p>SHEET 6 OF 8</p>
<p>NO. REVISIONS DATE BY</p>			<p>DATE 2006/08/29 DATE 2006/02/06</p>		<p>STRUCTURAL EASTERN BRIDGE APPROACH SLAB DETAILS</p>		<p>CITY DRAWING NUMBER 1-060IN-A-S0493-01-0D</p>		