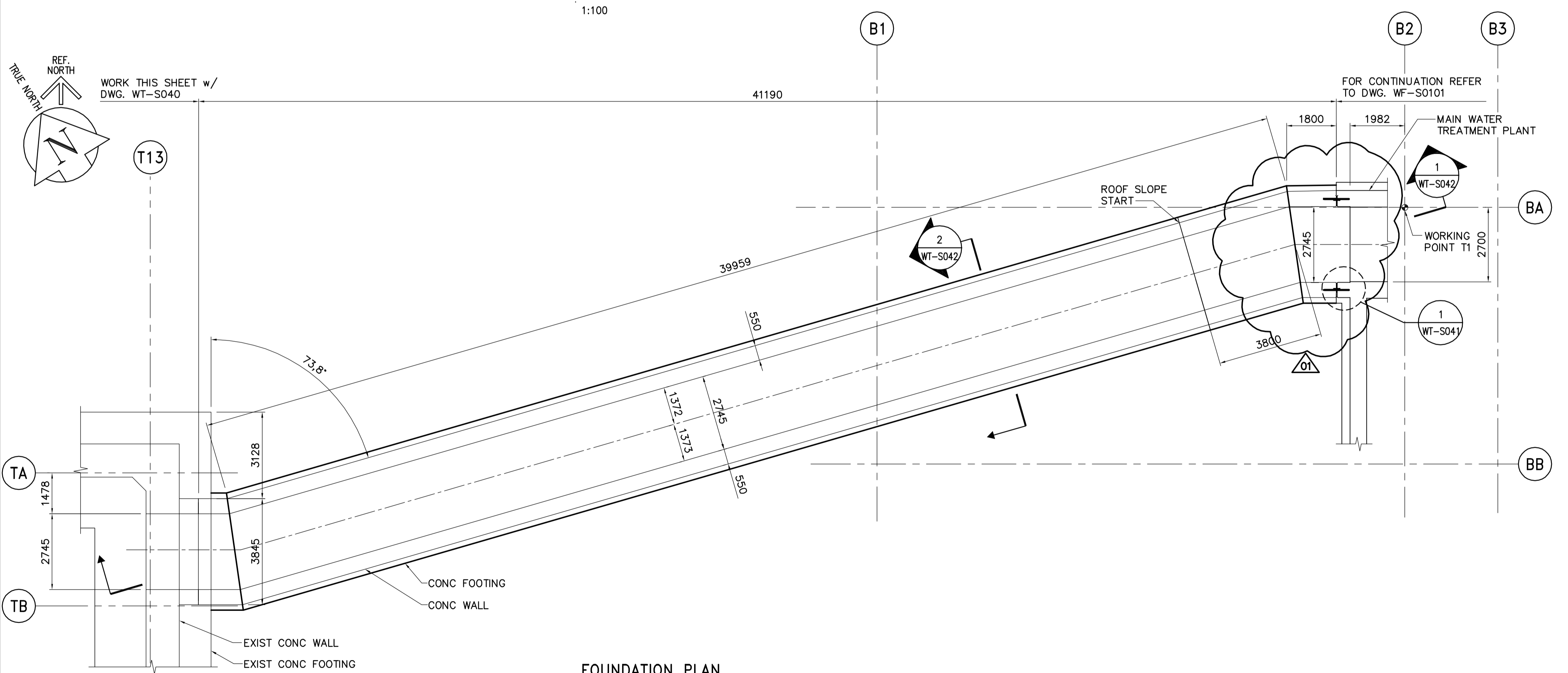


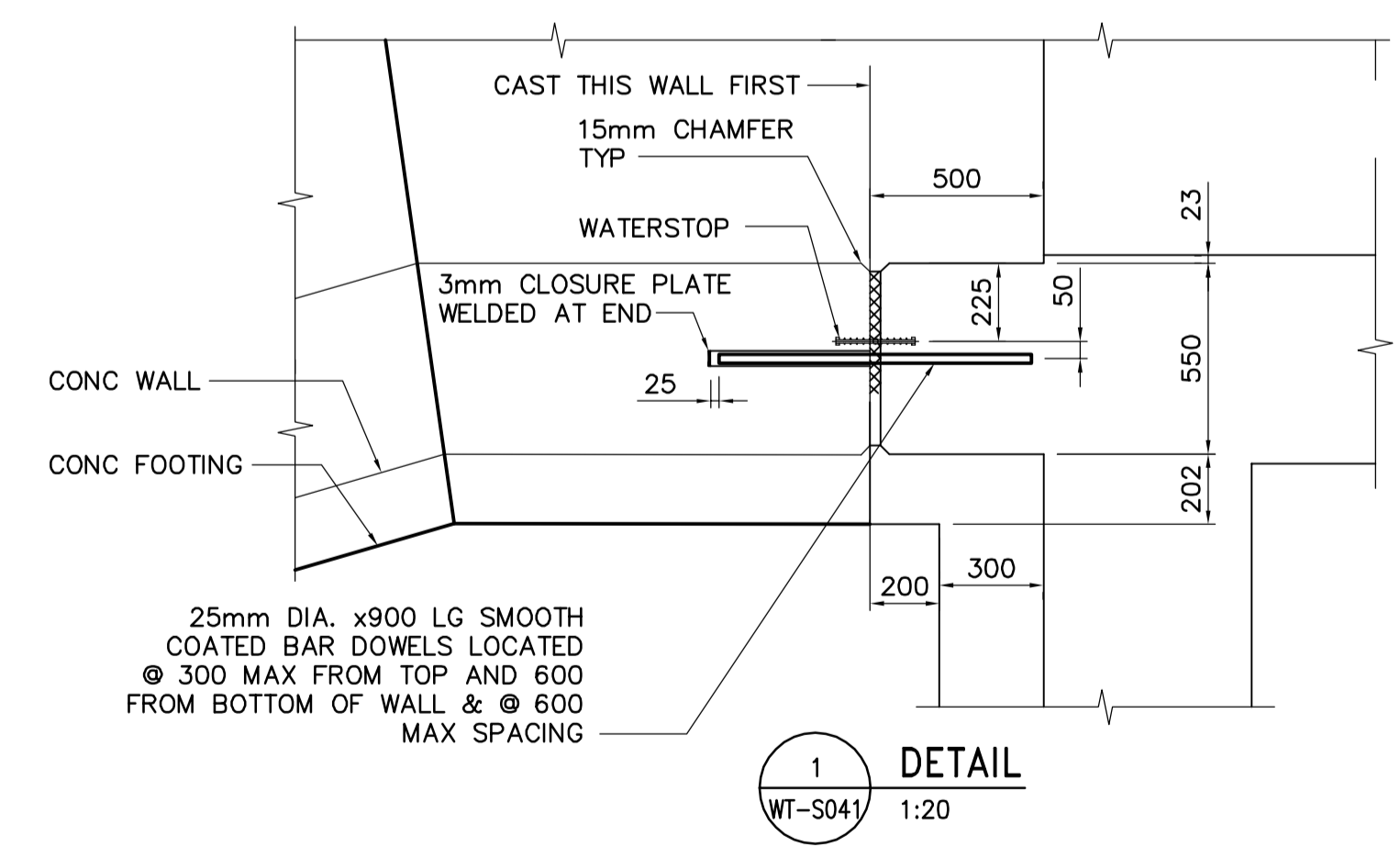
PILING PLAN
1:100



FOUNDATION PLAN
1:100

CCT EFFLUENT CONDUIT PILING SCHEDULE			
PILE NUMBER	'X'	'Y'	PILE CUT-OFF
T001	42339	10747	230.773
T002	40418	10191	230.751
T003	38017	9495	230.729
T004	35615	8799	230.707
T005	33214	8103	230.685
T006	30813	7408	230.663
T007	28412	6712	230.641
T008	26010	6016	230.619
T009	23609	5320	230.597
T010	21208	4625	230.576
T011	18807	3929	230.554
T012	16405	3233	230.532
T013	14004	2537	230.510
T014	11603	1842	230.488
T015	9201	1146	230.475
T016	6800	450	230.475
T017	4398	-246	230.475
T018	41902	14051	230.773
T019	39501	13355	230.751
T020	37100	12660	230.729
T021	34698	11964	230.707
T022	32297	11268	230.685
T023	29896	10572	230.663
T024	27495	9877	230.641
T025	25093	9181	230.619
T026	22692	8485	230.597
T027	20291	7789	230.576
T028	17890	7094	230.554
T029	15488	6398	230.532
T030	13087	5702	230.510
T031	10686	5006	230.488
T032	8284	4310	230.475
T033	5883	3615	230.475
T034	3480	2919	230.475

- DRAWING NOTES:**
- ALL PILES ARE 400 DIAMETER PRECAST UNLESS NOTED OTHERWISE.
 - GRID LINE B2 - IS THE STARTING POINT OF COORDINATES 'X'.
 - GRID LINE BA - IS THE STARTING POINT OF COORDINATES 'Y'.
 - FOR THIS DRAWING POSITIVE 'X' DIRECTION IS TO THE PAGE LEFT AND POSITIVE 'Y' IS IN THE PAGE DOWN DIRECTION.
 - REFER TO DRAWING WM-C0165 FOR WORKING POINT T1.



APEGM
Certificate of Authorization
Earth Tech Canada Inc.
No. 730 Expiry: April 30, 2006

NO.	REVISIONS	DATE	BY
01	583-2005 ADDENDUM 3	06/03/10	GGP
00	ISSUED FOR TENDER	06/02/03	WDB

CH2M HILL
Frederickson Cooper ARCHITECTS

EarthTech
A Terra International Ltd. Company

DESIGNED BY: GGP
CHECKED BY: FK
DRAWN BY: CT / WDB
APPROVED BY: DJT
SCALE: AS NOTED
RELEASED FOR CONSTRUCTION BY: R. SOROKOWSKI
DATE: 2005/08/04
DATE: 06/02/08

ENGINEER'S SEAL
ORIGINAL SIGNED BY: F.A. KEMP
2006/02/07
CONSULTANT DRAWING NO.: WT-S041

THE CITY OF WINNIPEG
WATER AND WASTE DEPARTMENT
ENGINEERING DIVISION

WATER TREATMENT PLANT
TREATED WATER STORAGE
FOUNDATIONS AND CONCRETE STRUCTURES

STRUCTURAL
CCT EFFLUENT CONDUIT
PILING PLAN, FOUNDATION PLAN AND SCHEDULE

CITY FILE NUMBER
SHEET OF
CITY DRAWING NUMBER
1-0601T-B-S0041-001-010