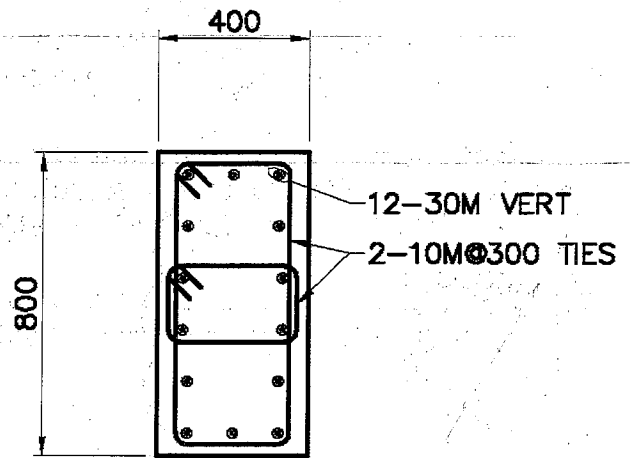


COLUMN C1




COLUMN C8

NOTES:

1. MAINTAIN MAIN COVER OVER TIES PER DETAIL 5/WB-S0451, OFFSET VERTICAL WALL REINFORCING TO INSIDE OF EAST AND WEST LAYERS OF PIER REINFORCING
2. C8 BELOW EL 240.350 ONLY.
C1 CONTINUES ABOVE

COLUMN REINFORCING
N.T.S.

0	06/03/27	CORRECT TYPOGRAPHICAL ERROR TO NOTE 2. ON DRAWING WP-S0515-REV-01, BID OPPORTUNITY 583-2005	WR	LBR	GS		
REV	YY/MM/DD	ISSUE/REVISION DESCRIPTION	DRN	CHK	APP		
			WINNIPEG WATER TREATMENT PROGRAM				
			CORRECTION TO COLUMN REINFORCING NOTES ON DWG WP-S0515-REV01			SCALE NOT TO SCALE	
						DRAWING NUMBER 583-2005-SK-3	
			ISSUE/REVISION REV. 0				