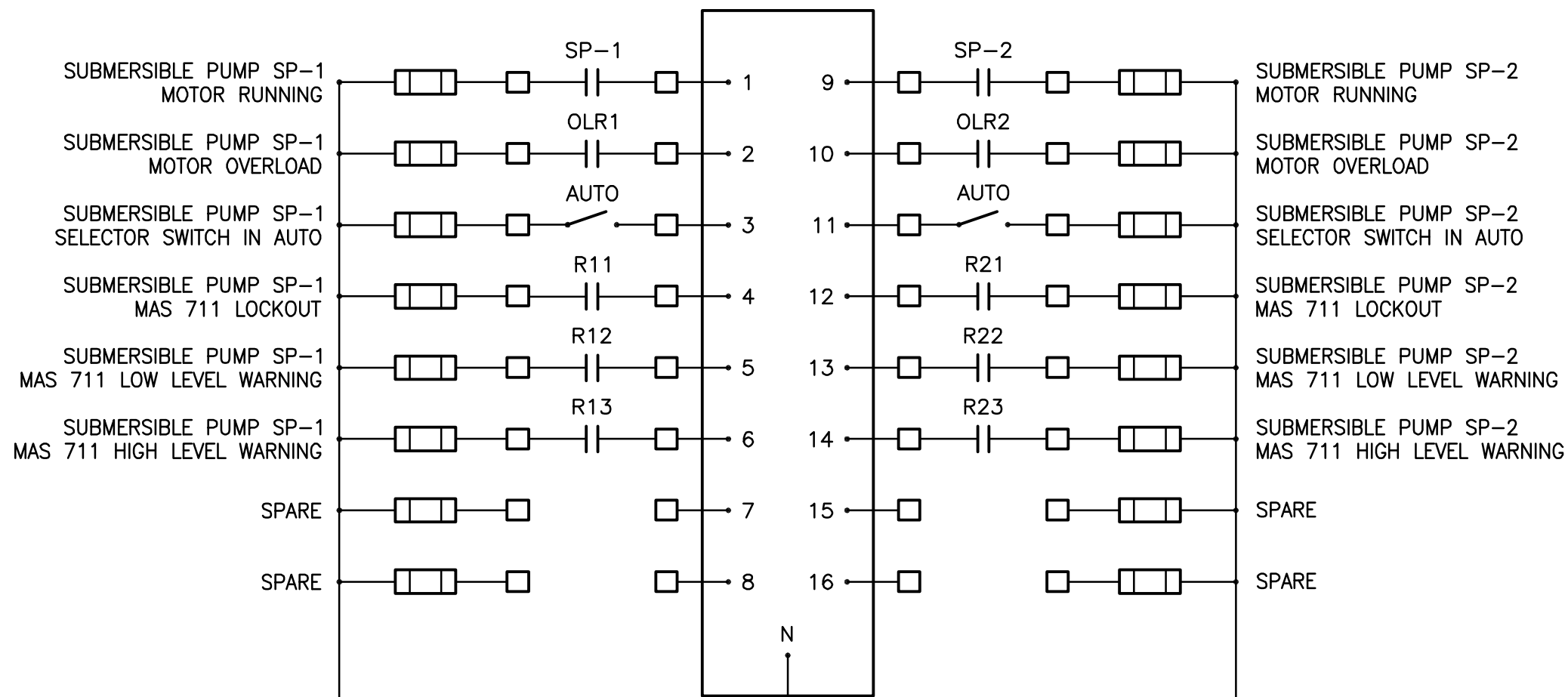
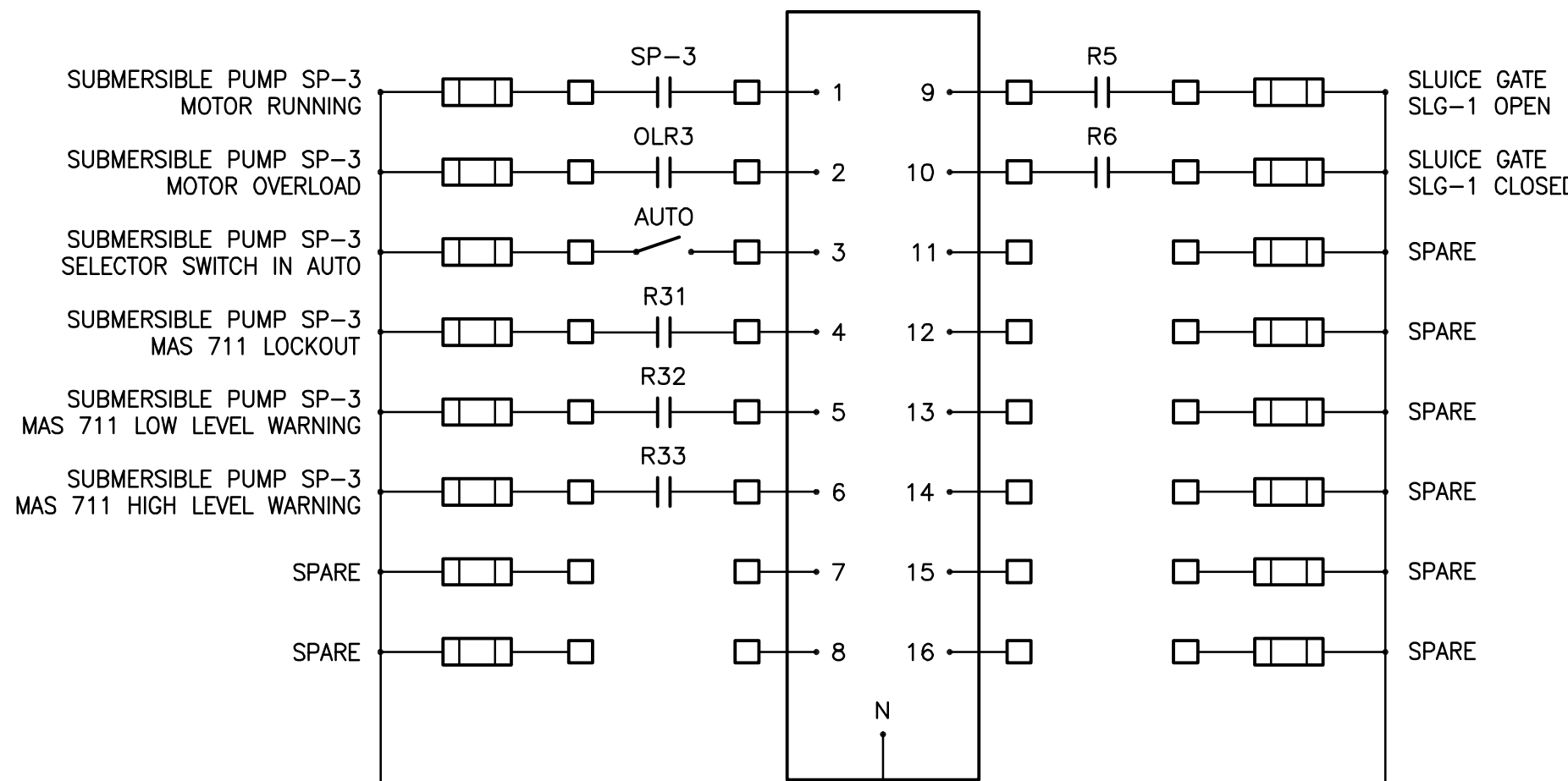


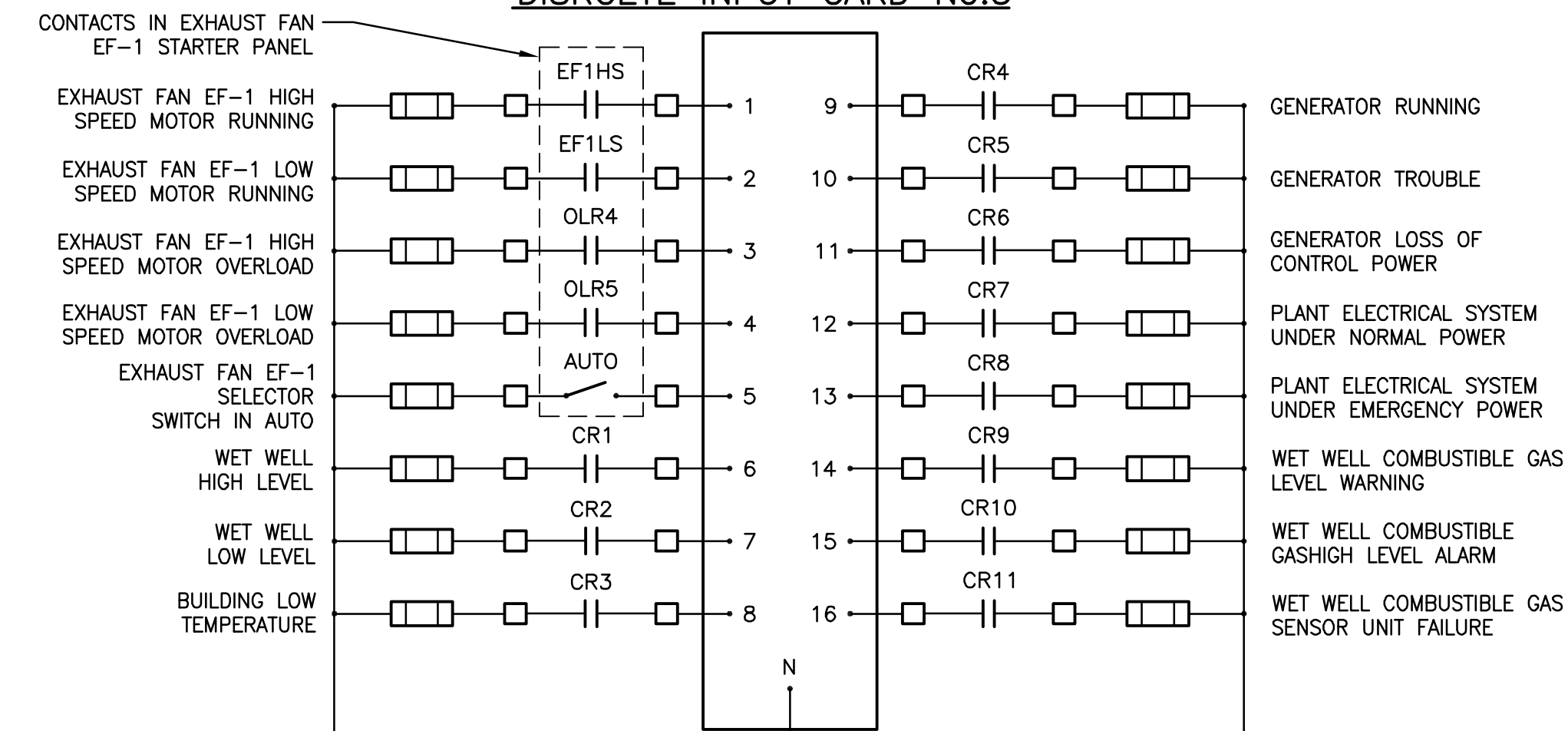
DISCRETE INPUT CARD No.1



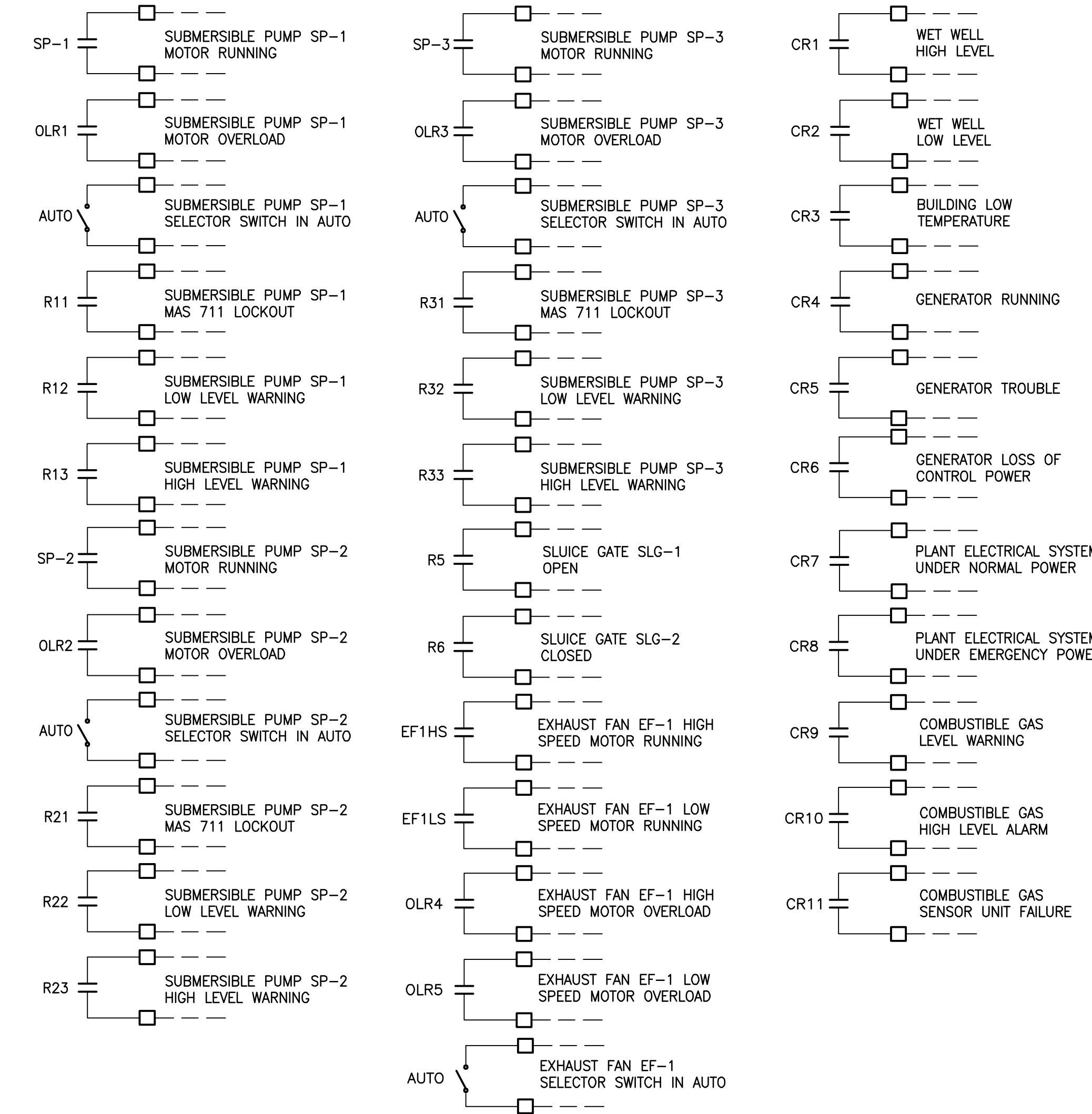
DISCRETE INPUT CARD No.2



DISCRETE INPUT CARD No.3

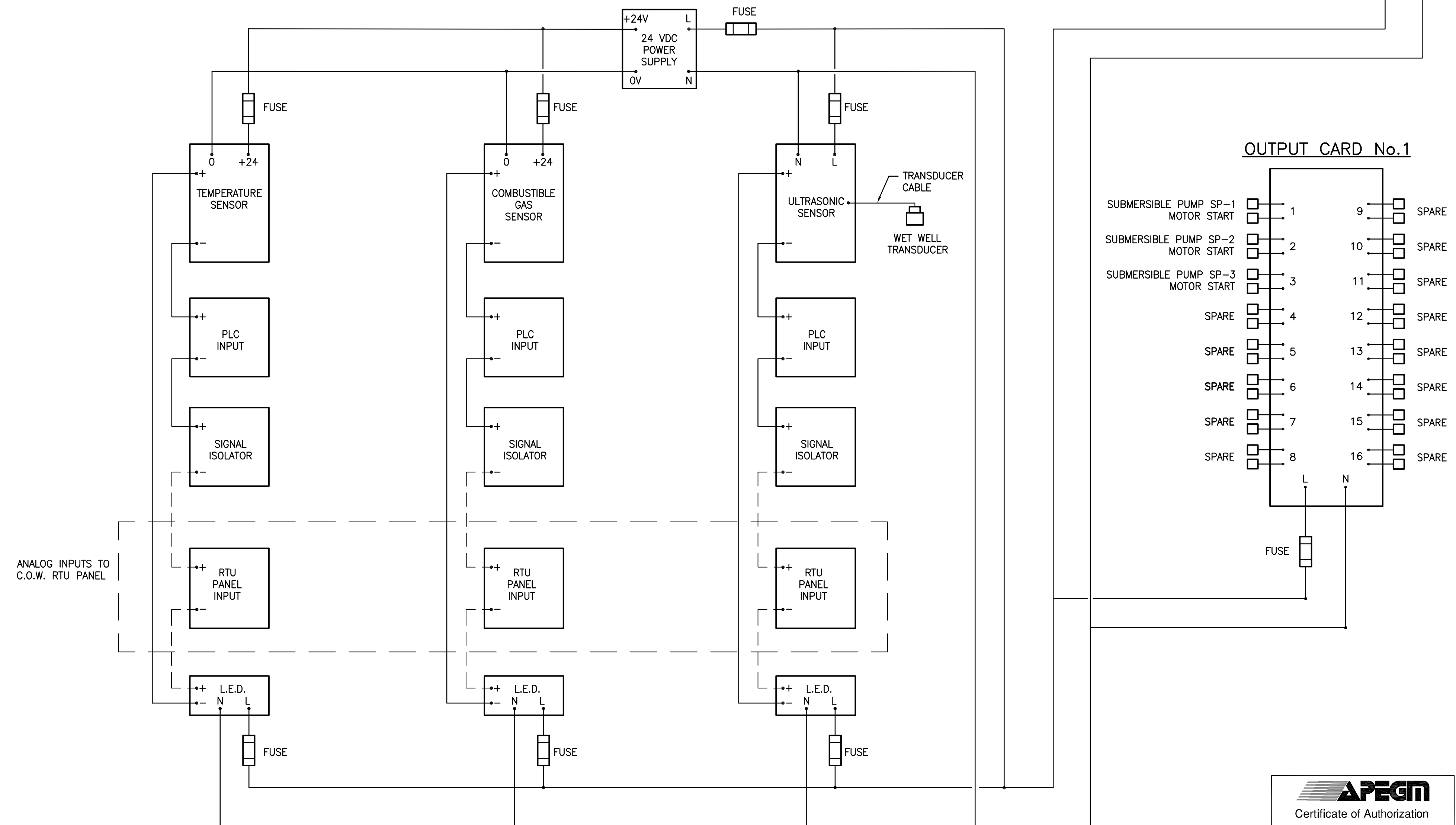


120 VAC FROM DRAWING No.E05

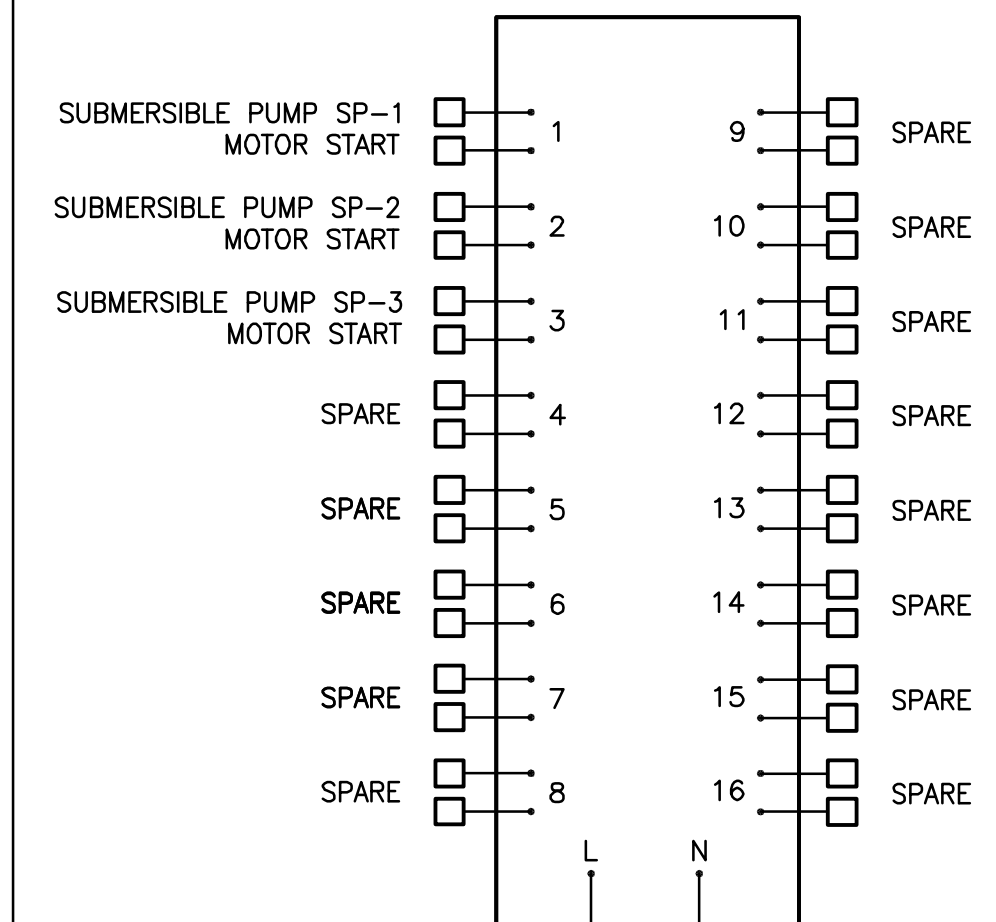


NOTE: FIVE EXHAUST FAN EF-1 STATUS CONTACTS ARE LOCATED IN EXHAUST FAN EF-1 STARTER PANEL. ALL OTHER CONTACTS ARE LOCATED IN MCC CONTROL SECTION.

DISCRETE INPUT FIELD WIRING TO C.O.W. RTU PANEL



OUTPUT CARD No.1



LOCATION APPROVED UNDERGROUND STRUCTURES

Table with columns for location, date, and committee. Includes a note about underground structures and utility locations.

Table with columns for B.M. Elev., No., Revisions, Date, and By. Includes a revision history table.

Stantec Consulting Ltd. logo and contact information. Includes design and approval signatures.

ENGINEER'S SEAL section with original sealed by signature and date.

THE CITY OF WINNIPEG logo and project information: KENASTON UNDERPASS PUMPING STATION, ELECTRICAL - MISCELLANEOUS CONTROL WIRING DIAGRAMS.

APEGN Certificate of Authorization logo and details: Stantec Consulting Ltd., No. 1301 Expiry: April 30, 2006.