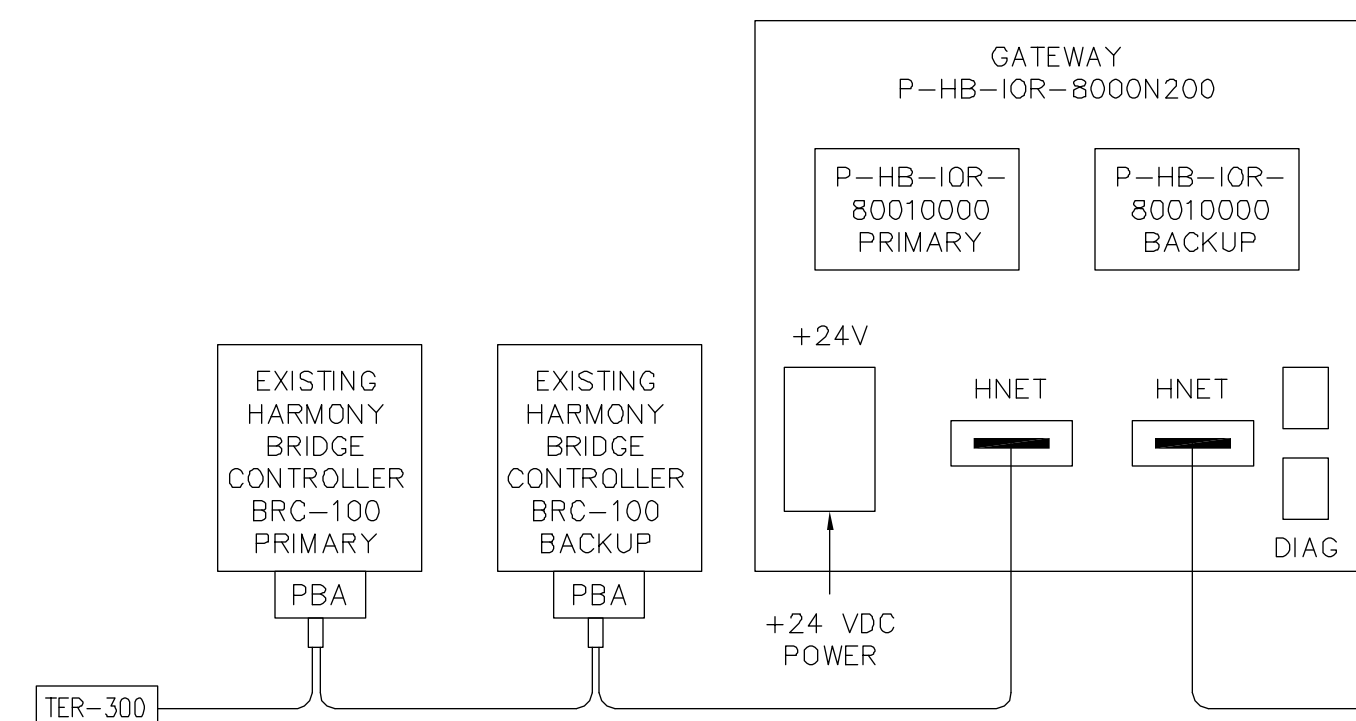


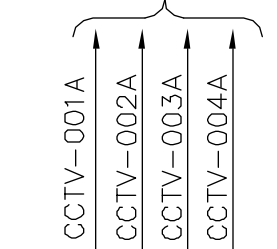
SHEET: C-11-WW (17/2005)

ADMINISTRATION BUILDING
SERVER ROOM

CENTRAL PCU CABINET



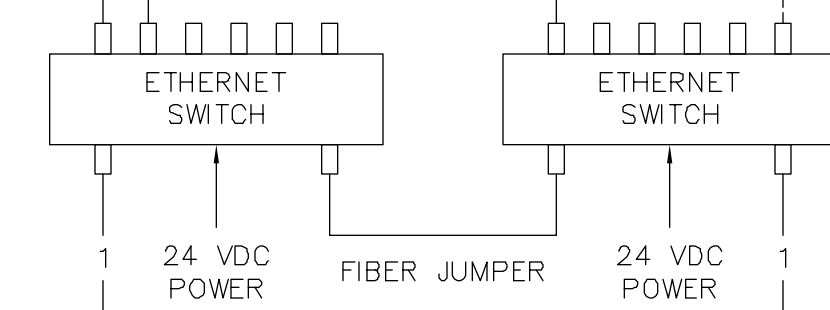
TO EXISTING CITY
CCTV MULTIPLEXER



PROCESS CONTROL WIRING CLOSET

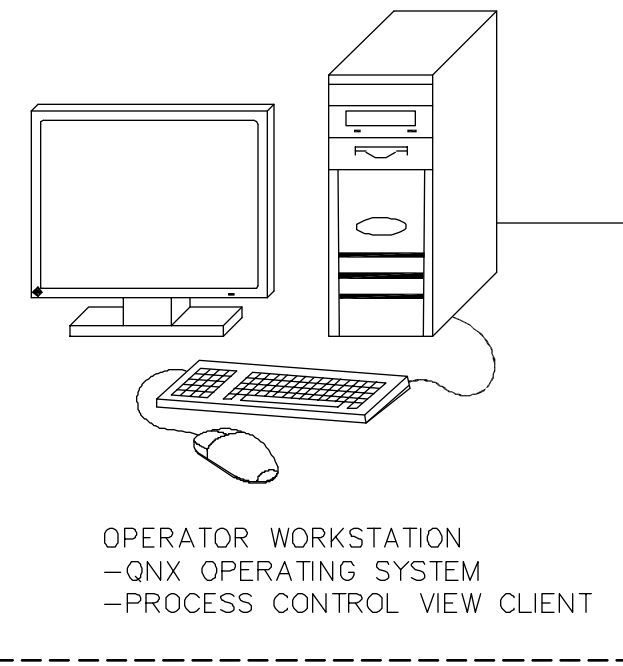


TO OPERATOR
WORK STATION
LOCAL AREA NETWORK
(BY OTHERS)



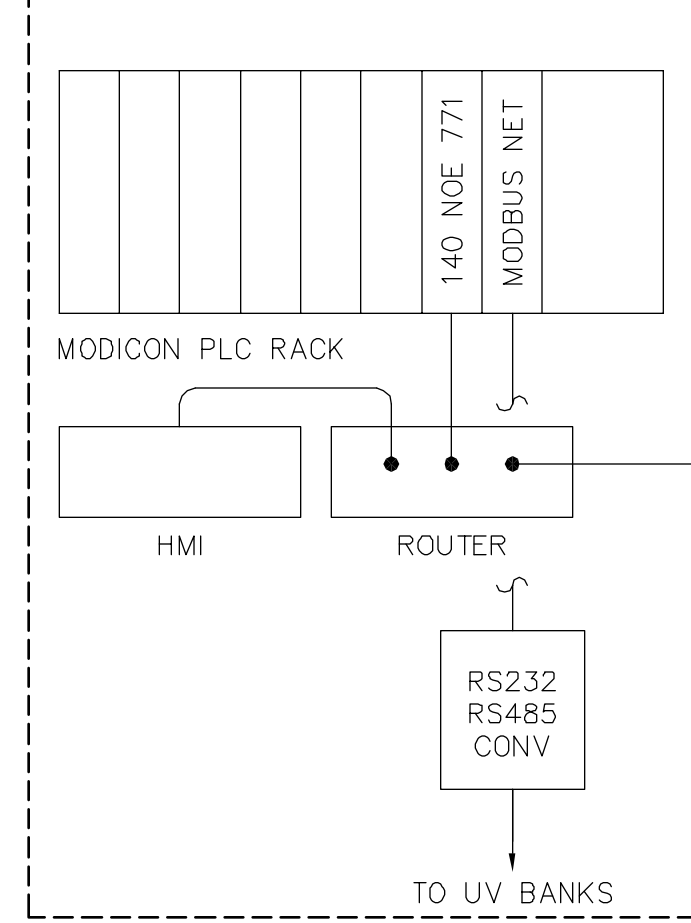
U.V. BUILDING
CONTROL ROOM

PROVIDED BY OTHERS

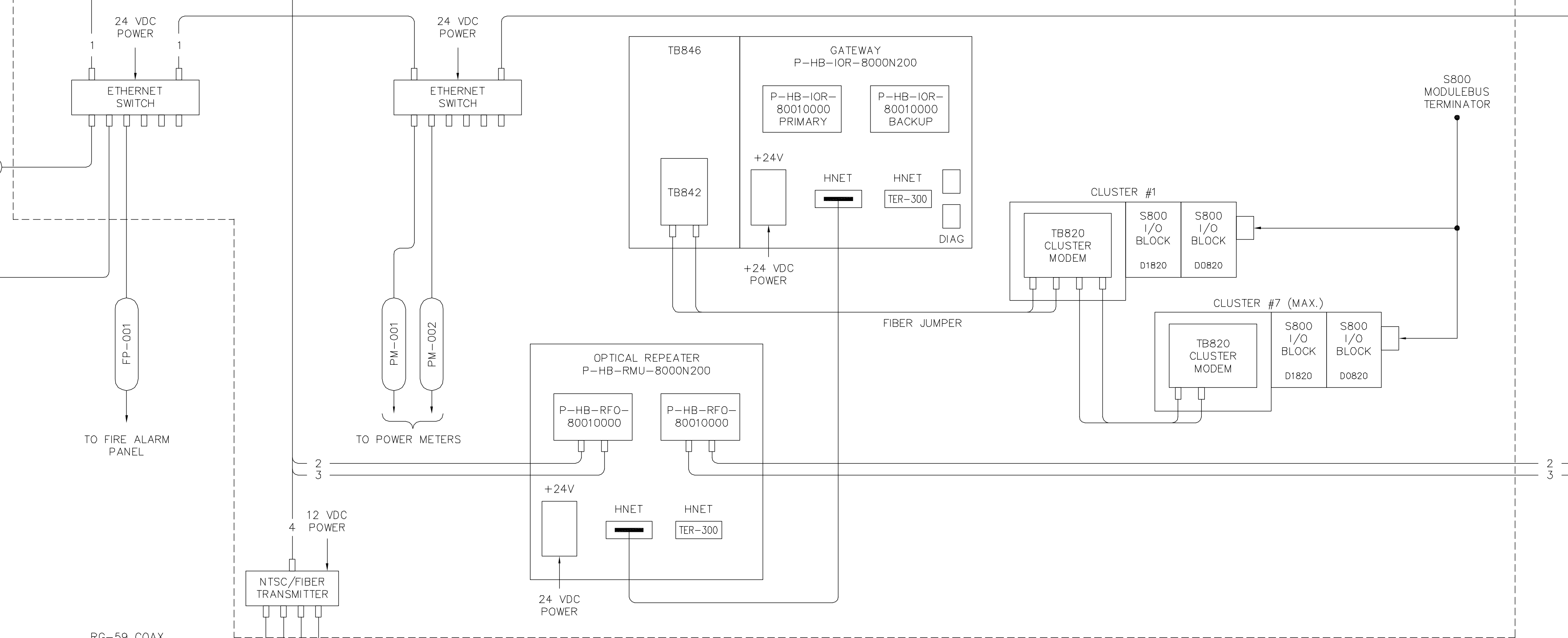


OPERATOR WORKSTATION
- QNX OPERATING SYSTEM
- PROCESS CONTROL VIEW CLIENT

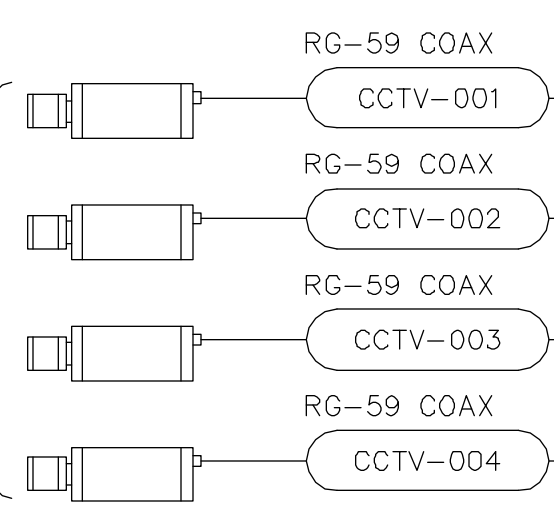
UV SYSTEM CONTROL CENTER (SCC)



UV CONTROL PANEL UVCP1



CCTV CAMERAS



B.M. ELEV.			
DESIGNED BY	BJL	CHECKED BY	SWT
DRAWN BY	CPG	APPROVED BY	DT
1 ISSUED FOR ADDENDUM 1	05/03/11	ERC	
0 ISSUED FOR TENDER	05/02/18	JEH	
NO. REVISIONS	DATE	BY	DATE
	2004/10/05		2005-02-18

EARTH TECH
Earth Tech (Canada) Inc. Winnipeg, Manitoba 204-477-5081

ENGINEER'S SEAL
ORIGINAL SIGNED BY
S.W. TORMEY
FEB. 18/05

CONSULTANT DRAWING NO.
66303D-C11.01

THE CITY OF WINNIPEG
Winnipeg WATER AND WASTE DEPARTMENT

**NEWPCC - SECONDARY EFFLUENT
UV DISINFECTION FACILITY**

INSTRUMENTATION
UV DISINFECTION
CONTROL SYSTEM NETWORK

CITY FILE NUMBER
SHEET # OF #S
CITY DRAWING NUMBER