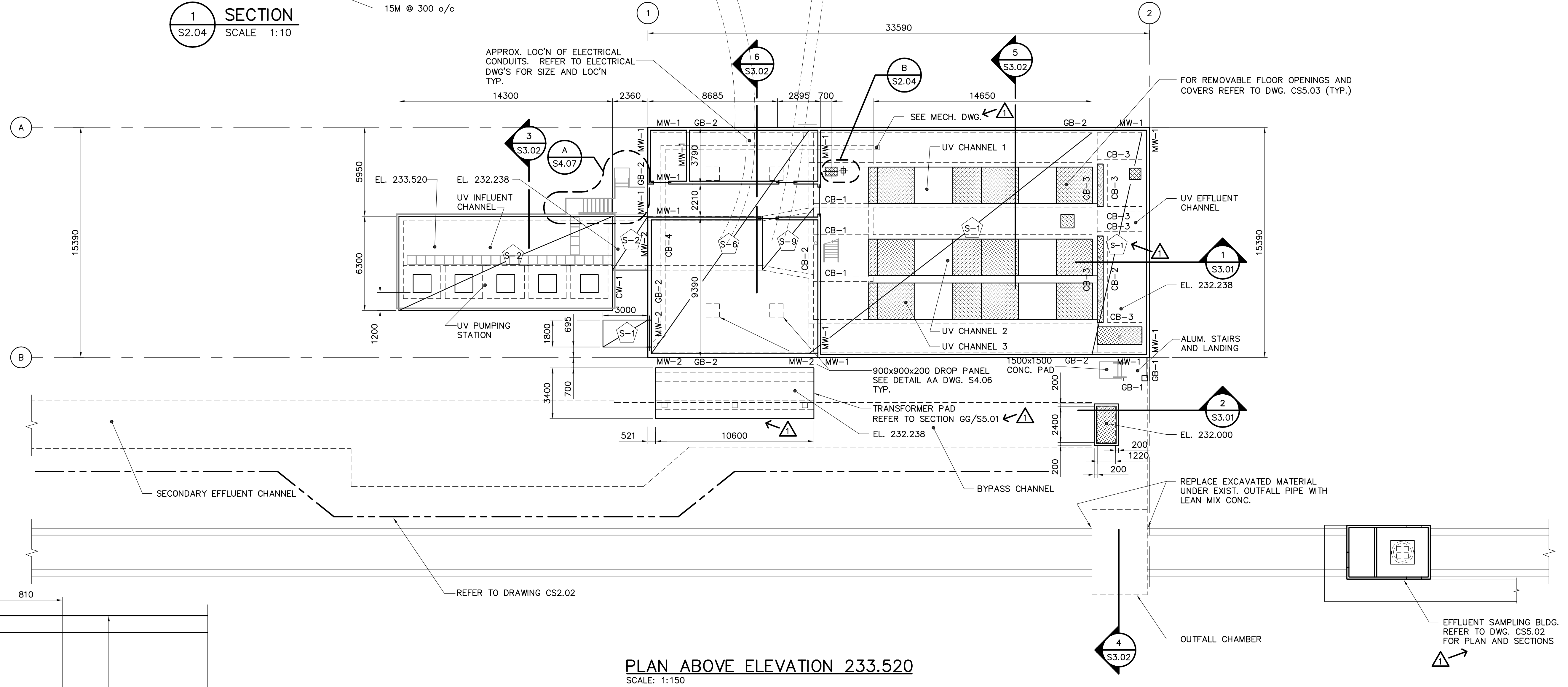
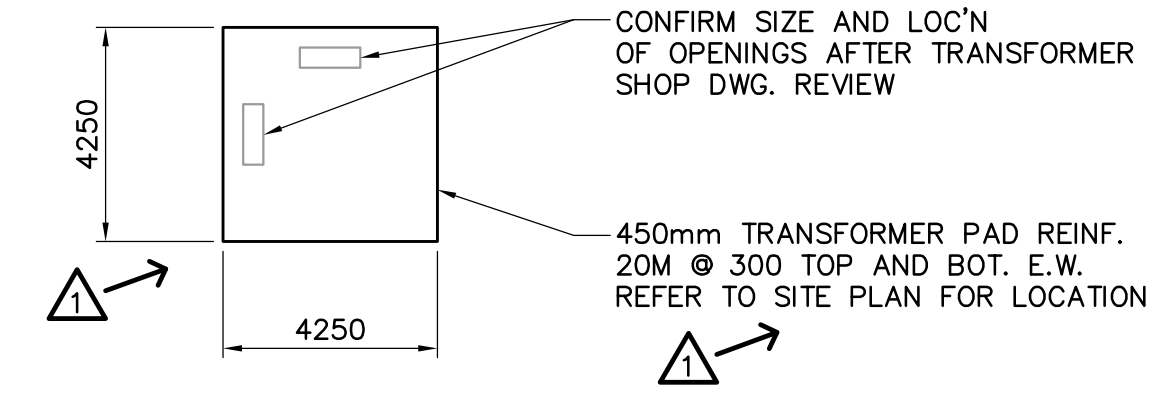
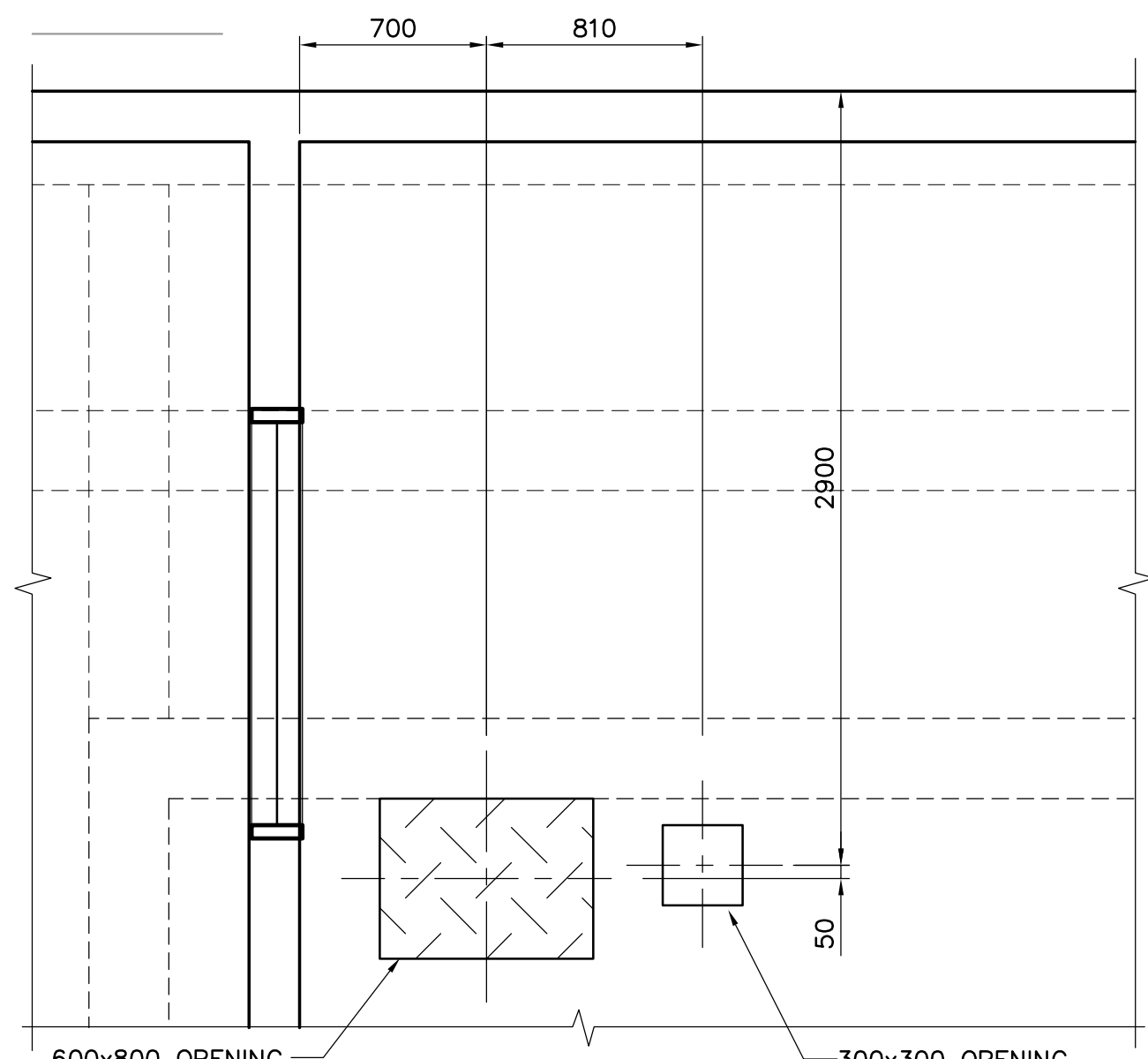


1 SECTION
S2.04 SCALE 1:10



PLAN ABOVE ELEVATION 233.520
SCALE: 1:150



B DETAIL
S2.04 SCALE 1:25

NOTES:

- FOR GENERAL NOTES AND SCHEDULES REFER TO DRAWING CS1.01.
- FOR STANDARD DETAILS REFER TO DRAWINGS CS4.01, CS4.02, AND CS4.03.



NO.	REVISIONS	DATE	BY
1	ISSUED FOR ADDENDUM 1	05/03/04	JEH
0	ISSUED FOR TENDER	05/02/18	JEH

DESIGNED BY		CHECKED BY	
RE, MK		GGP	
DRAWN BY		APPROVED BY	
C.T.		DT	
HOR. SCALE: AS NOTED		RELEASED FOR CONSTRUCTION BY: T. KJARTANSON	
VERTICAL SCALE: AS NOTED		DATE 2005-02-18	

ENGINEER'S SEAL	ORIGINAL SIGNED BY
	R.B. ERIC
	FEB. 18/05
CONSULTANT DRAWING NO.	66303D-CS2.04

NEWPC - SECONDARY EFFLUENT UV DISINFECTION FACILITY	
CITY FILE NUMBER	SHEET 5 OF 19
STRUCTURAL PLAN ABOVE ELEVATION 233.520	
CITY DRAWING NUMBER	

