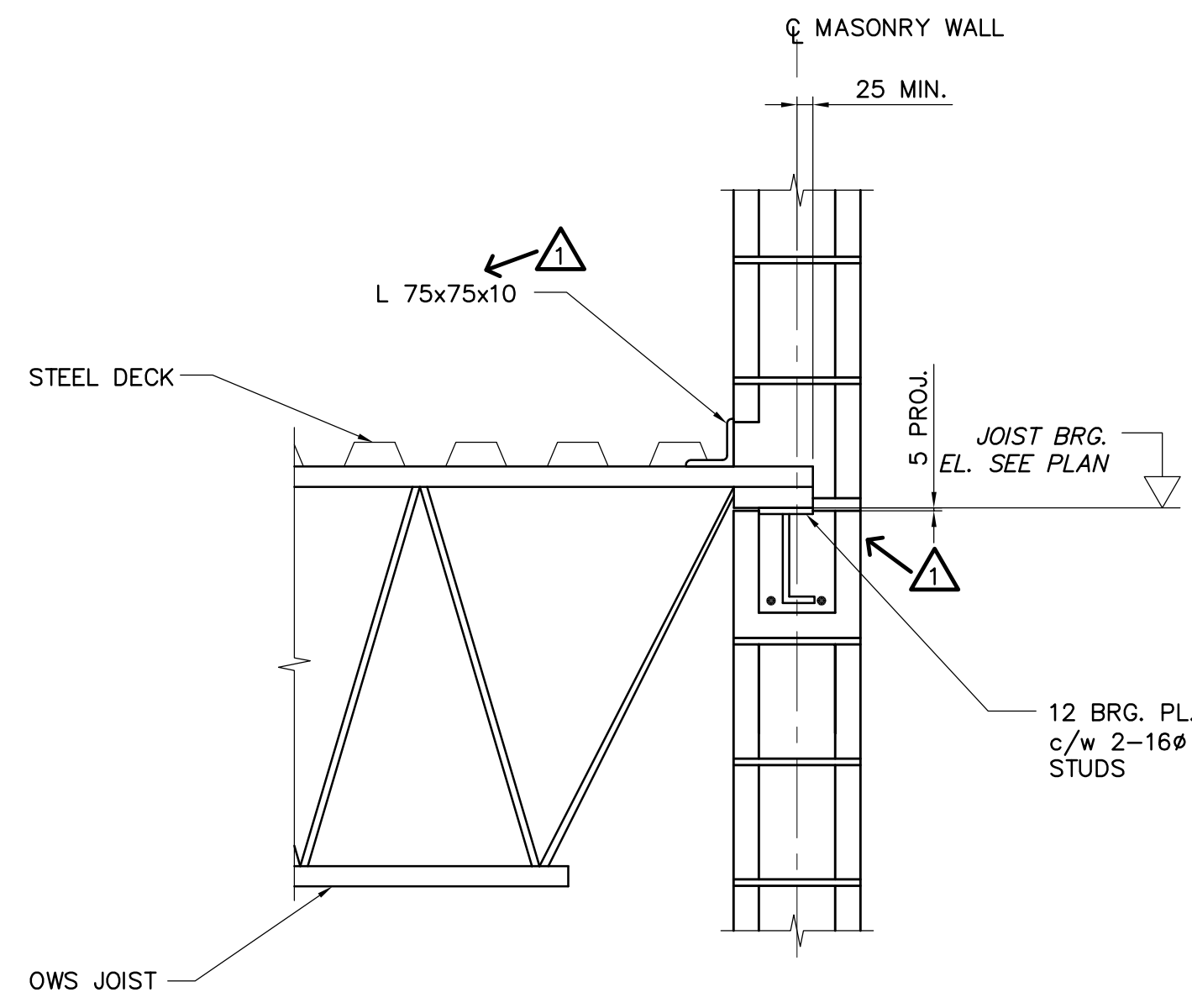
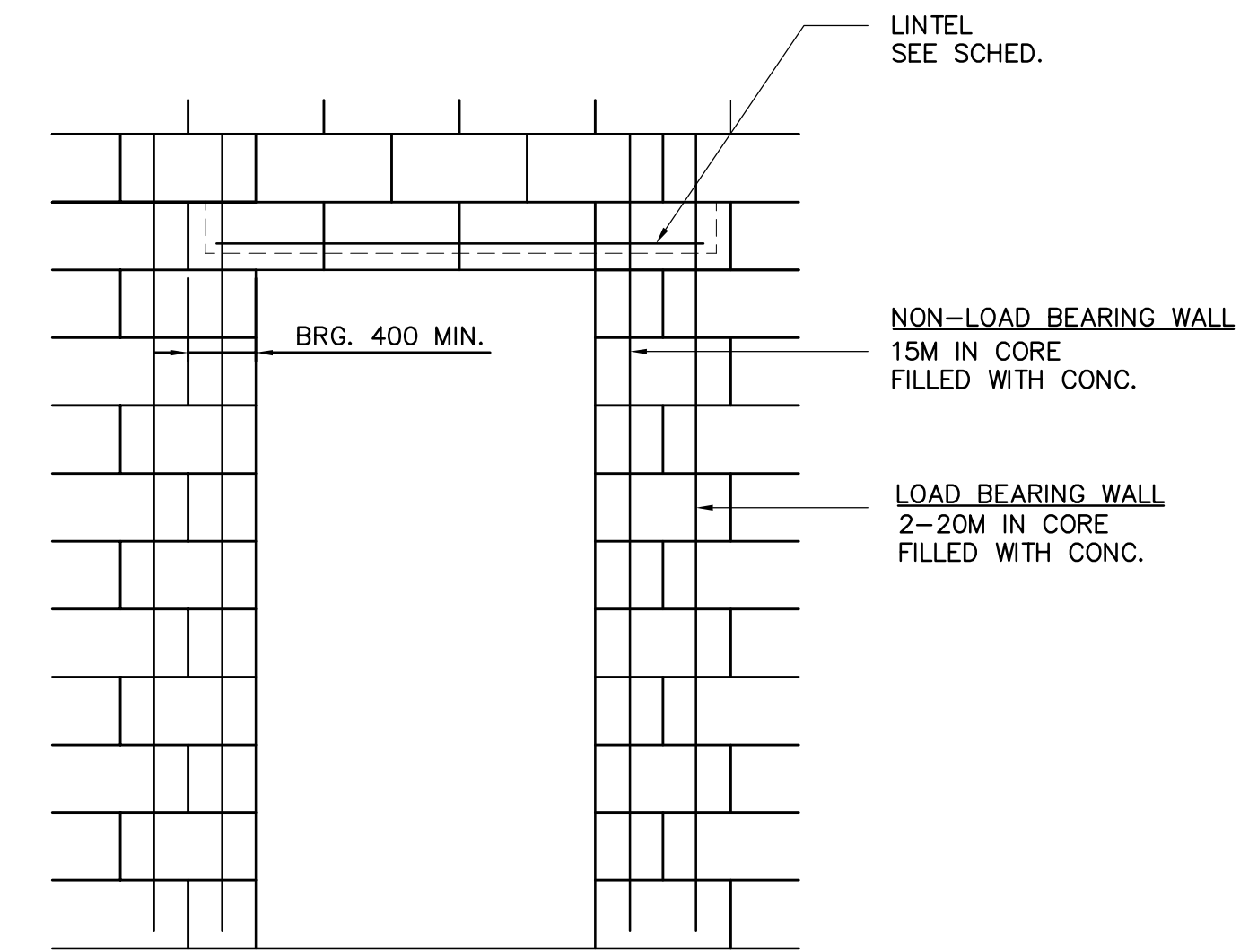


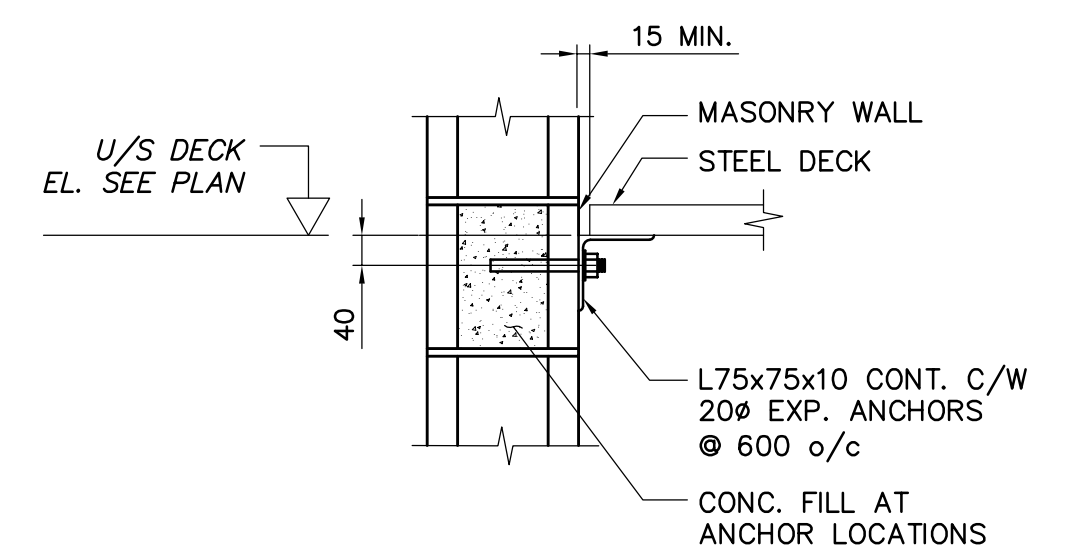
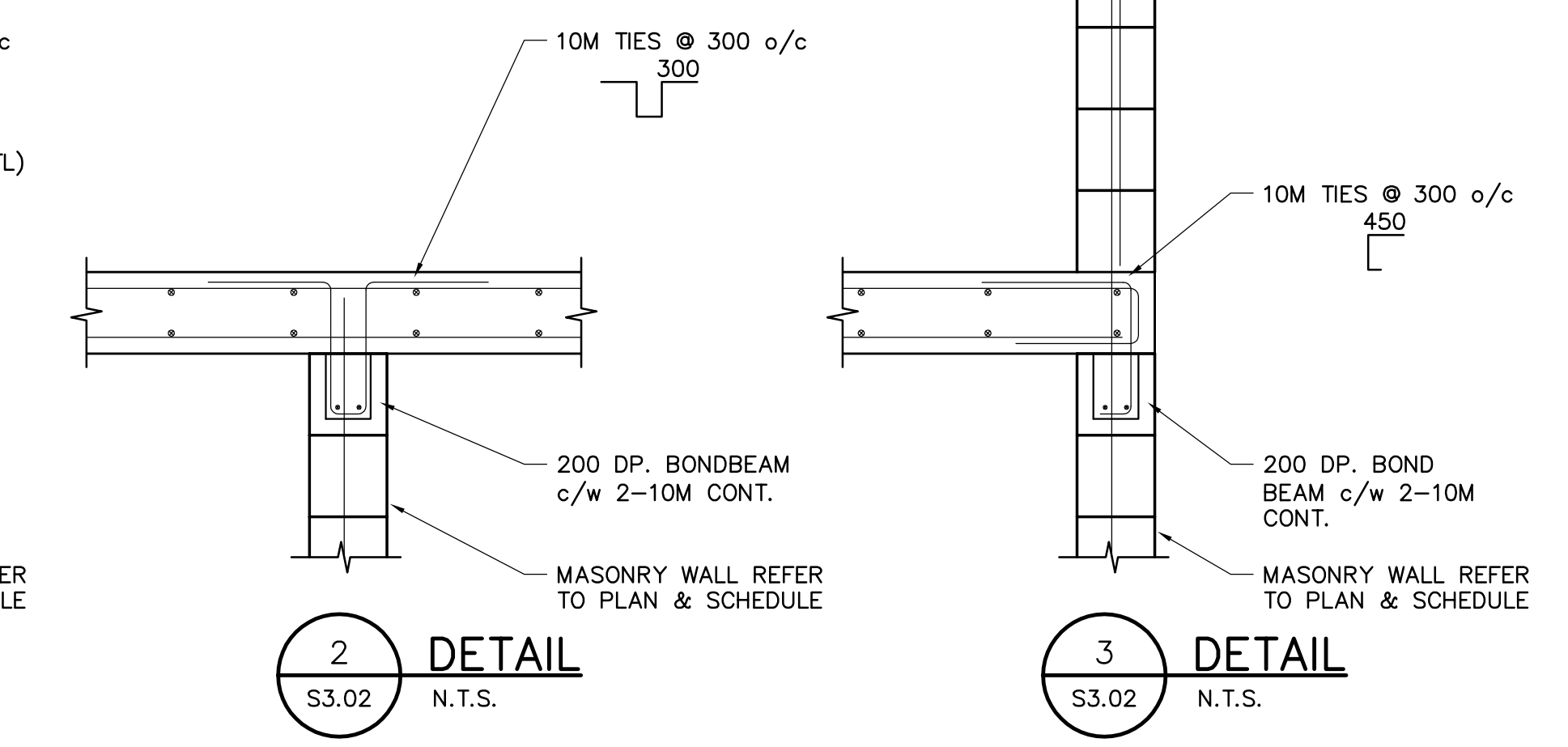
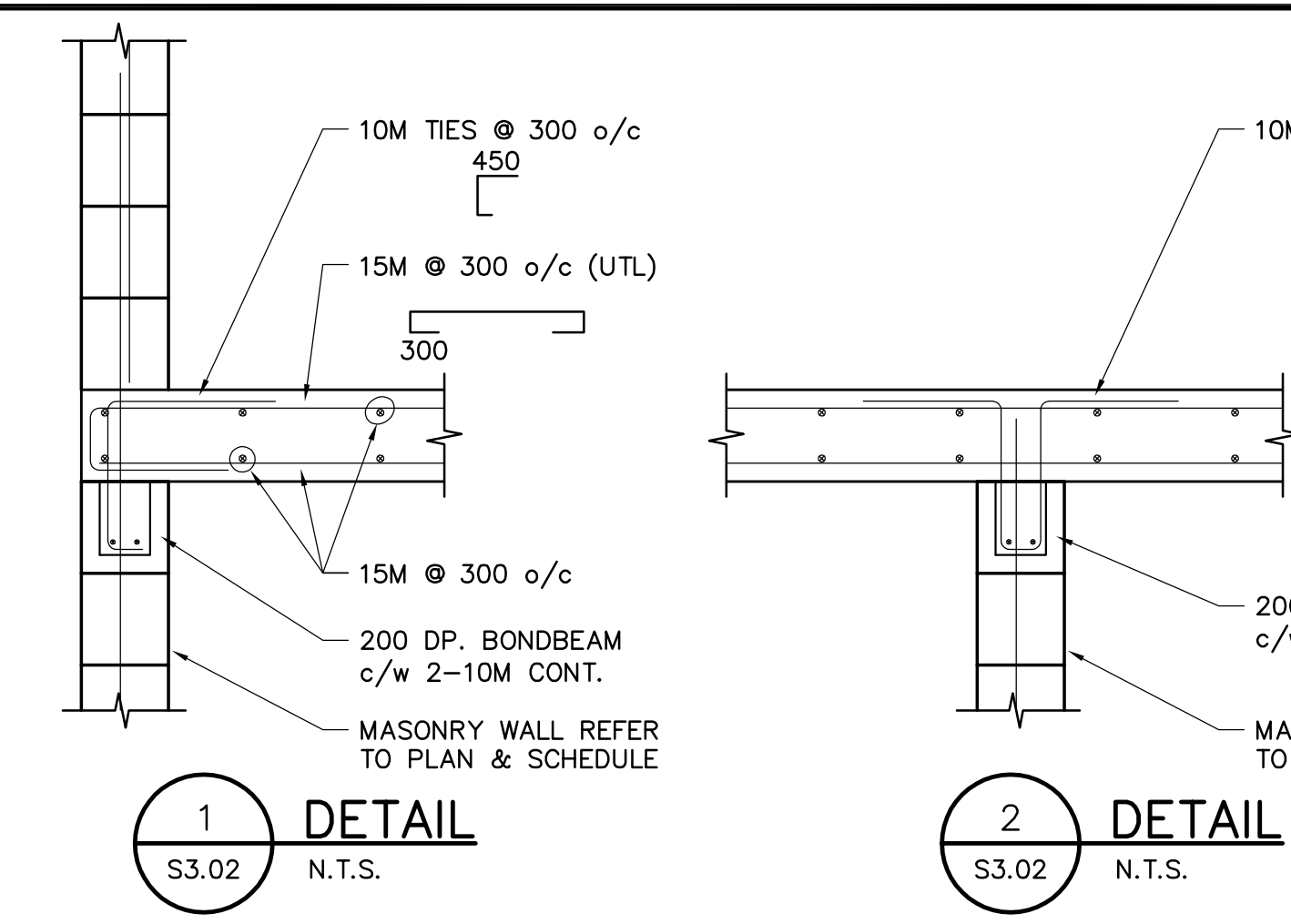
SHEET: CORR-AL-INTD (11/2005)



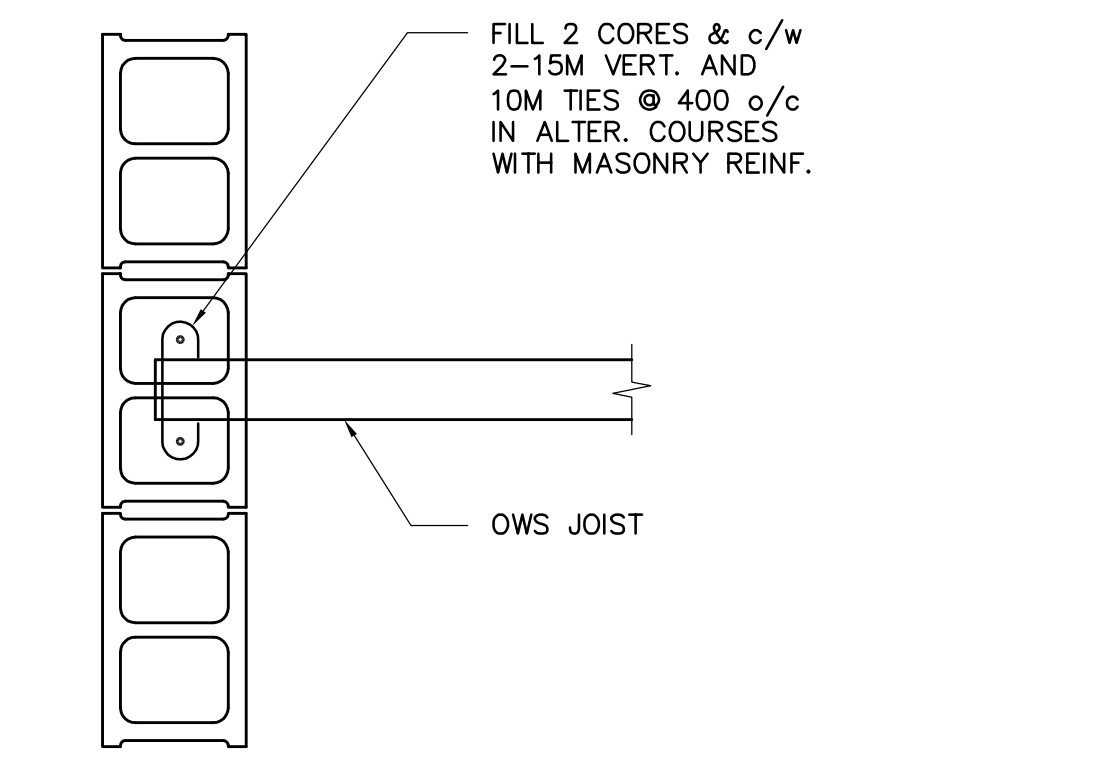
**OWSJ TO MASONRY CONNECTION**  
SCALE N.T.S.



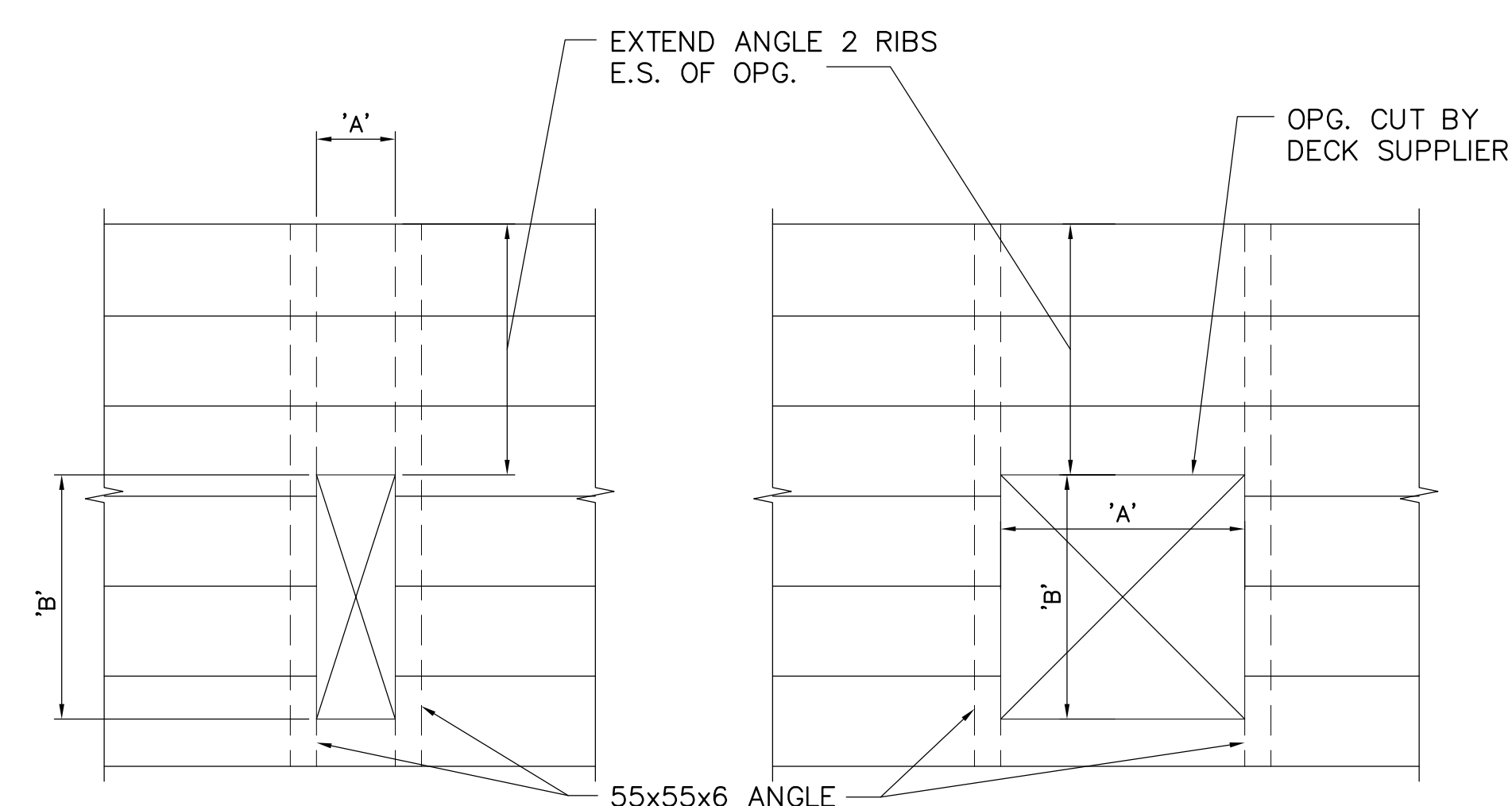
**TYPICAL BEARING FOR CONCRETE BLOCK LINTELS**  
SCALE N.T.S.



**STEEL DECK SUPPORT AT MASONRY WALL**  
SCALE N.T.S.

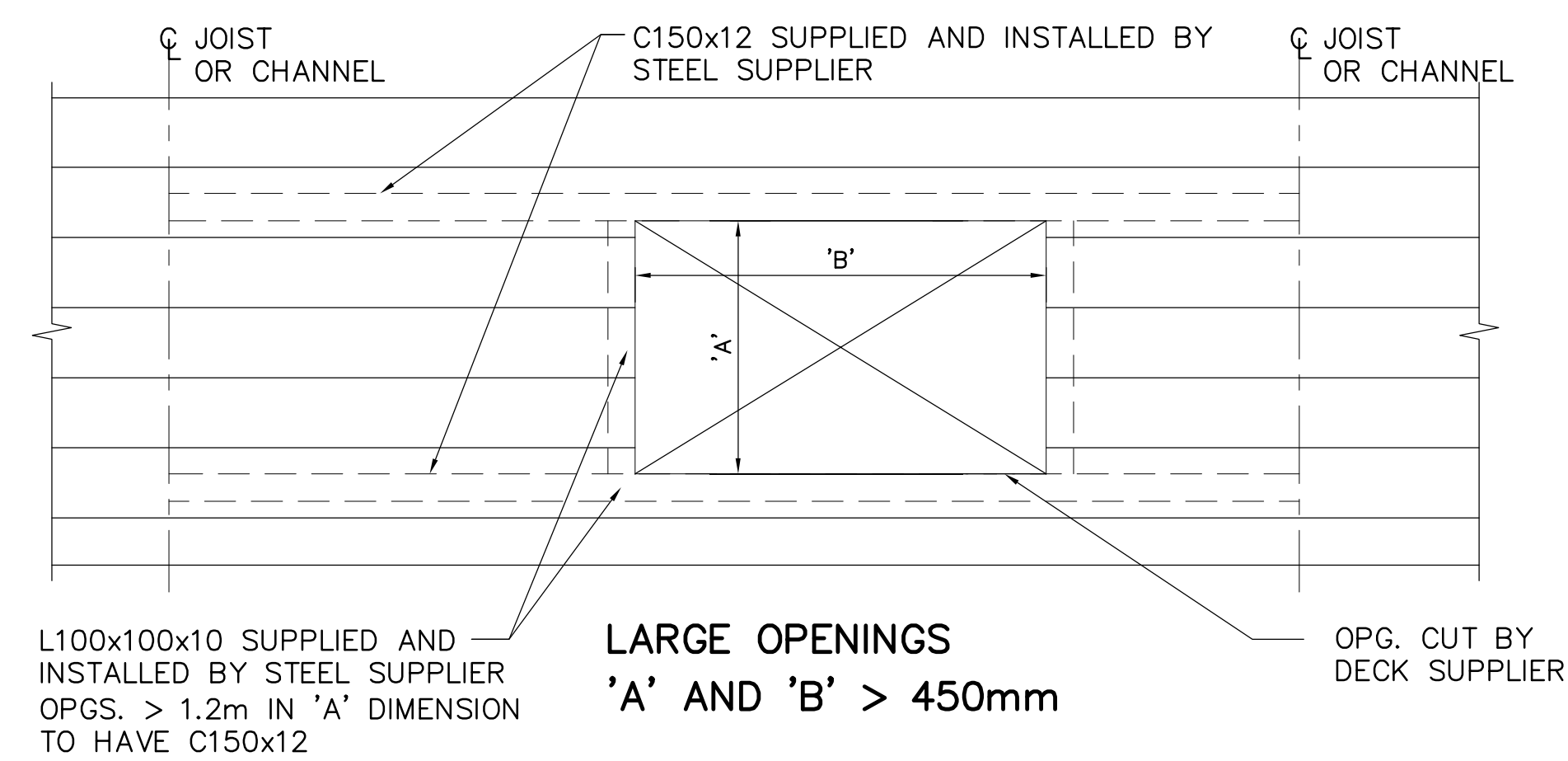


**TYPICAL MASONRY REINFORCING UNDER JOIST BEARING PLAN VIEW**  
SCALE N.T.S.



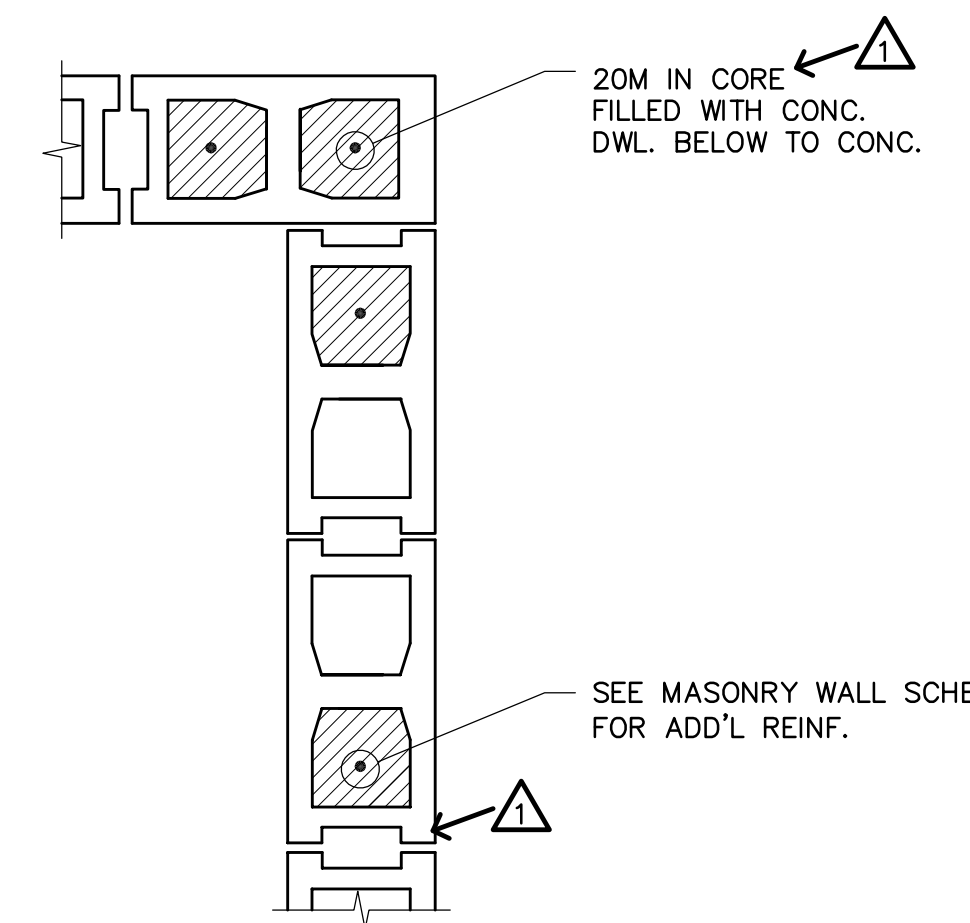
OPGS.: 'A' < 150  
'B' > 450

OPGS.: 150 < 'A' < 450  
150 < 'B' < 450

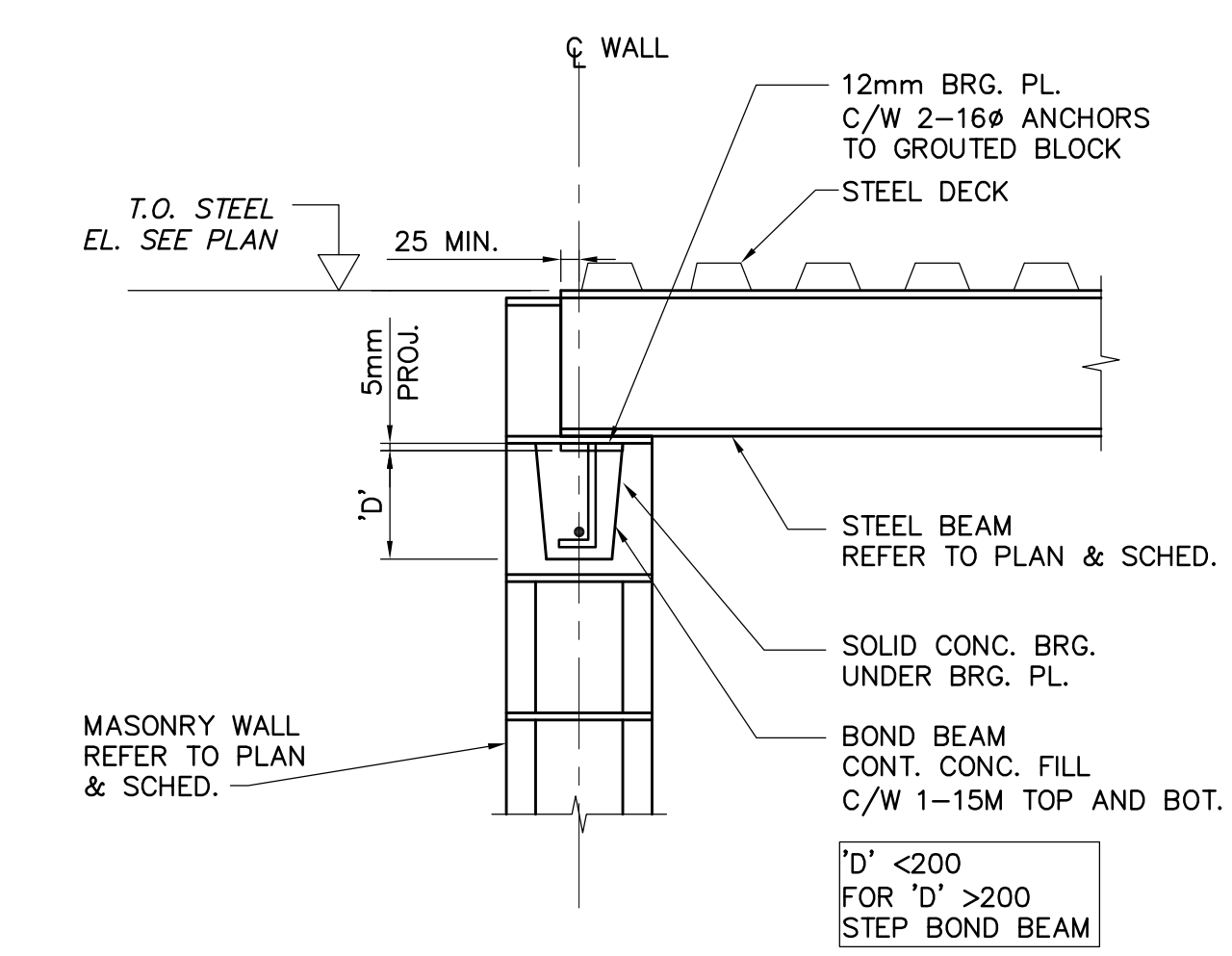


**OPENINGS THRU ROOF DECK**  
SCALE: N.T.S.

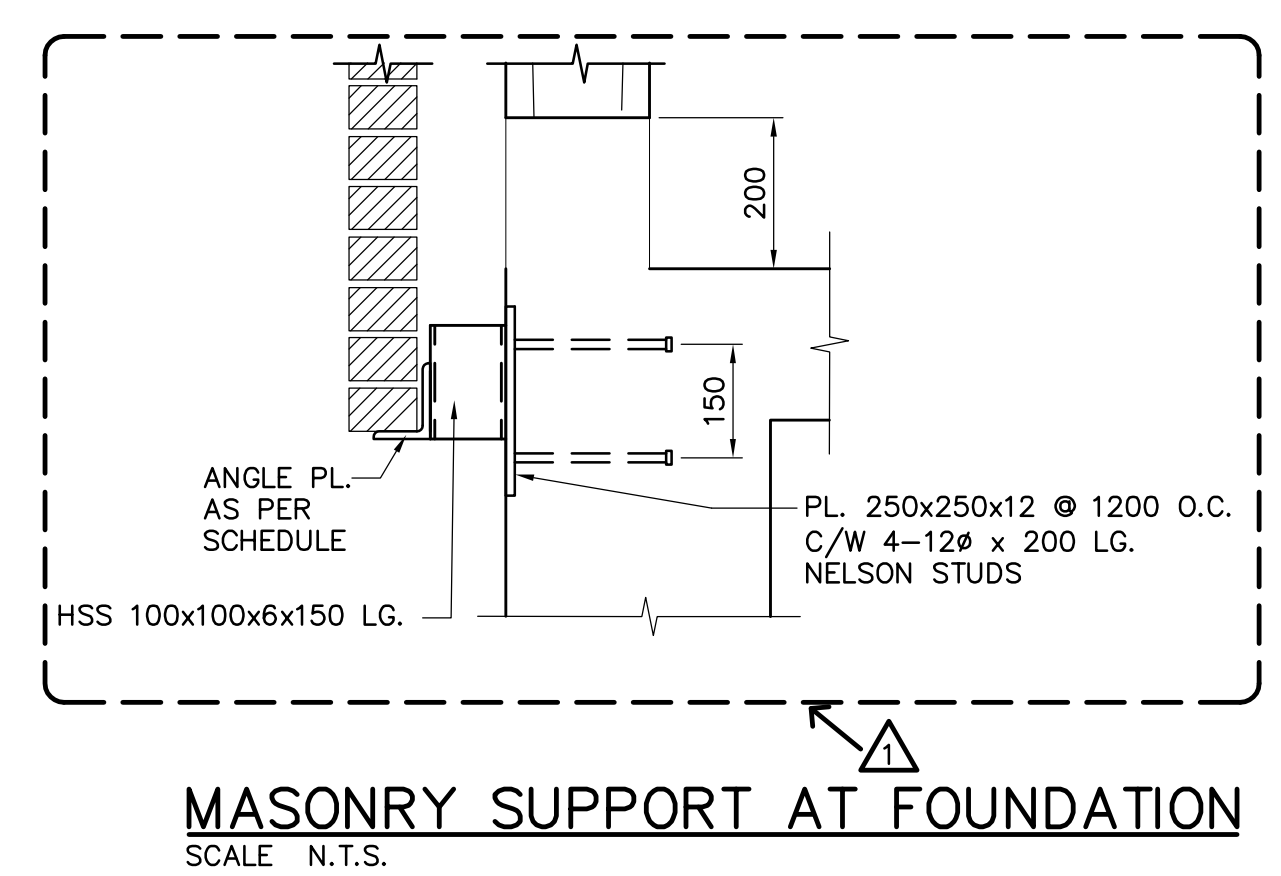
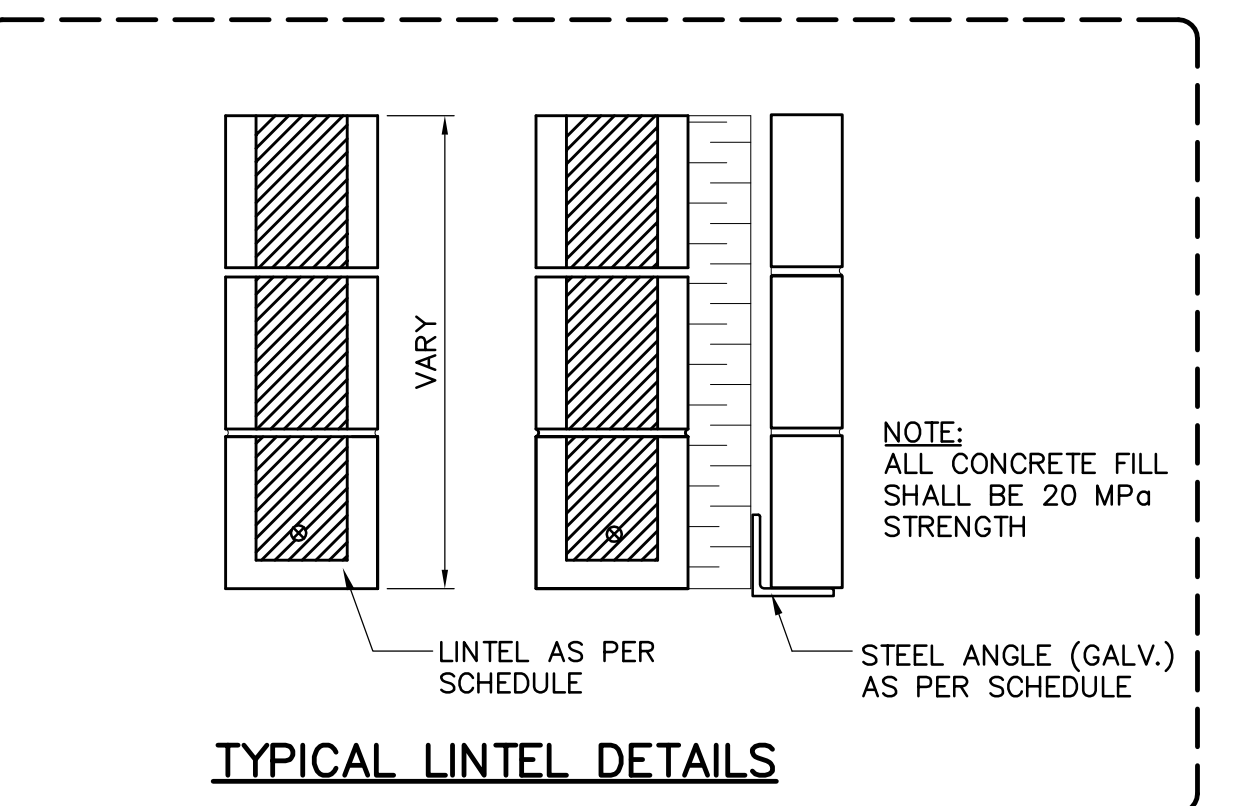
NOTE: FOR OPENINGS SIZE AND LOCATIONS SEE MECHANICAL



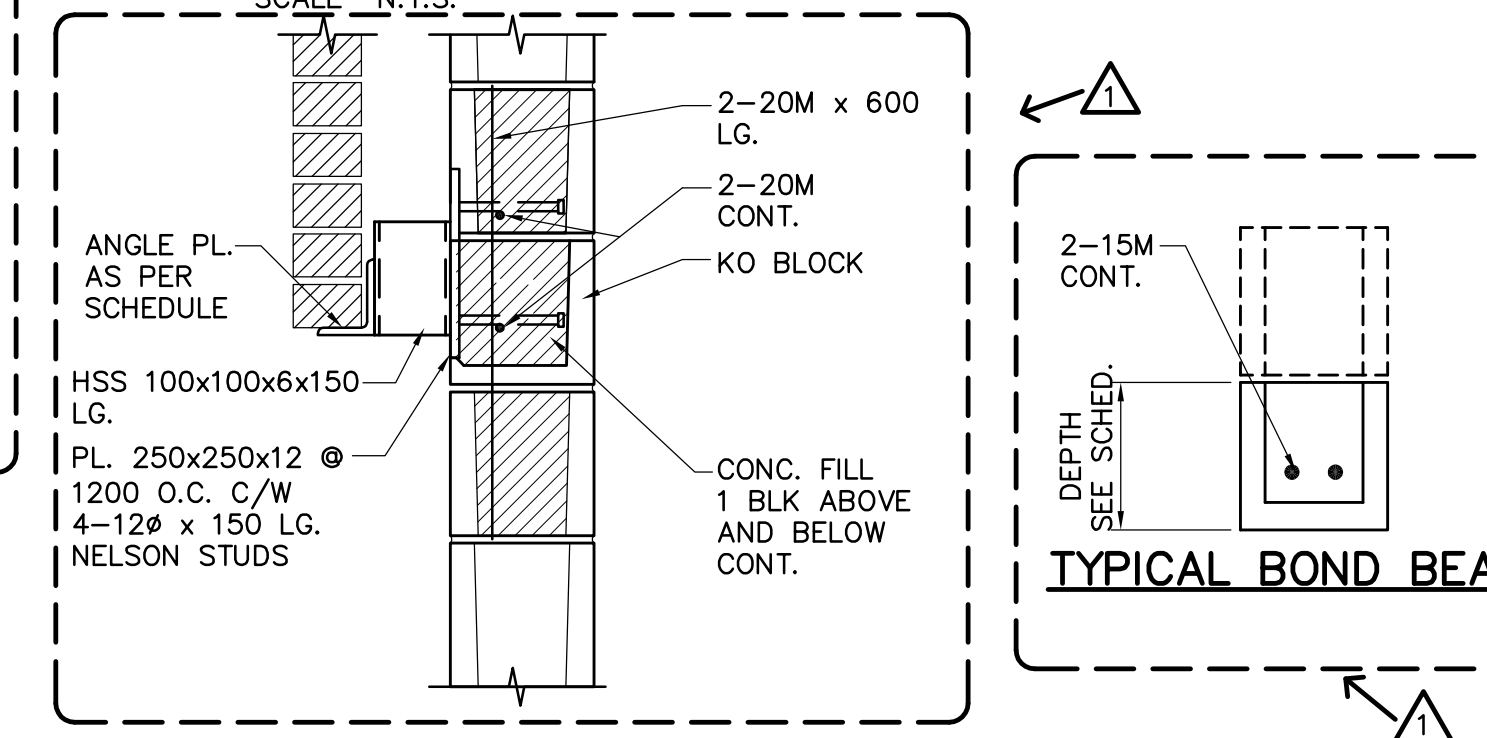
**TYPICAL VERTICAL REINFORCING DETAIL**  
SCALE N.T.S.  
MASONRY WALL VERTICAL REINFORCING SHALL BE INSTALLED AT ALL CORNERS IN MASONRY WALLS & AT END OF MASONRY WALLS.



**STEEL BEAM BEARING ON MASONRY WALL (CONCRETE WALL SIMILAR)**  
SCALE N.T.S.



**MASONRY SUPPORT AT FOUNDATION**  
SCALE N.T.S.



**MASONRY SUPPORT AT WALL**  
SCALE N.T.S.

**LINTELS**

BLOCK SIZE	OPENING	FACE BRICK SUPPORT	LOAD BEARING CONCRETE BLOCK
200	1200 TO 2000	L 100x90x13	600 HIGH r/w 1-15M BOT.
250	1200 TO 2000	L 125x90x13	600 HIGH c/w 1-20M BOT.
200	UP TO 1200	L 100x90x13	BOND BEAM OVER

TYPICAL BOND BEAM

TYPE	ANGLE PL.
BRICK	L 100x90x9.5
90mm BLOCK	L 127x90x9.5
140mm BLOCK	L 127x127x9.5

**APEGM**  
Certificate of Authorization  
Earth Tech Canada Inc.  
No. 730 Expiry: April 30, 2005

B.M. ELEV.		
NO.	REVISIONS	DATE
1	ISSUED FOR ADDENDUM 1	05/03/04 JEJ
0	ISSUED FOR TENDER	05/02/18 JEJ

**EARTH TECH**  
Earth Tech (Canada) Inc. Winnipeg, Manitoba 204.477.5381

DESIGNED BY: RE, MK	CHECKED BY: GOP
DRAWN BY: C.T.	APPROVED BY: DT

HOR. SCALE: AS NOTED  
VERTICAL SCALE: AS NOTED

RELEASED FOR CONSTRUCTION BY: T. KJARTANSON  
DATE: 2004/11/04

ENGINEER'S SEAL  
ORIGINAL SIGNED BY: R.B. ERIC  
FEB. 18/05  
CONSULTANT DRAWING NO. 66303D-CS4.02

**THE CITY OF WINNIPEG**  
Winnipeg WATER AND WASTE DEPARTMENT

**NEWPCC - SECONDARY EFFLUENT UV DISINFECTION FACILITY**

CITY FILE NUMBER	SHEET 10 OF 19
CITY DRAWING NUMBER	

STRUCTURAL DETAILS