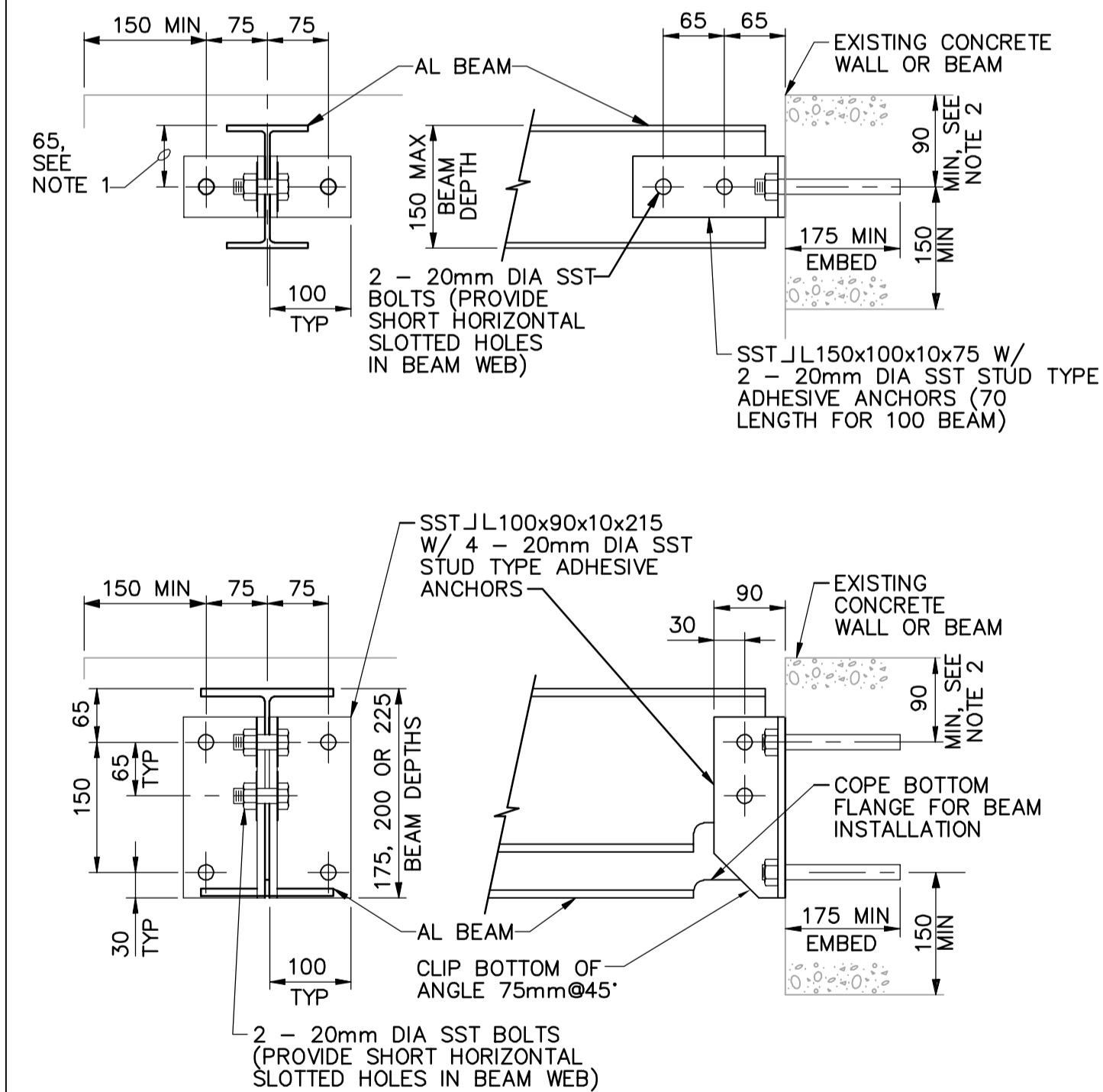
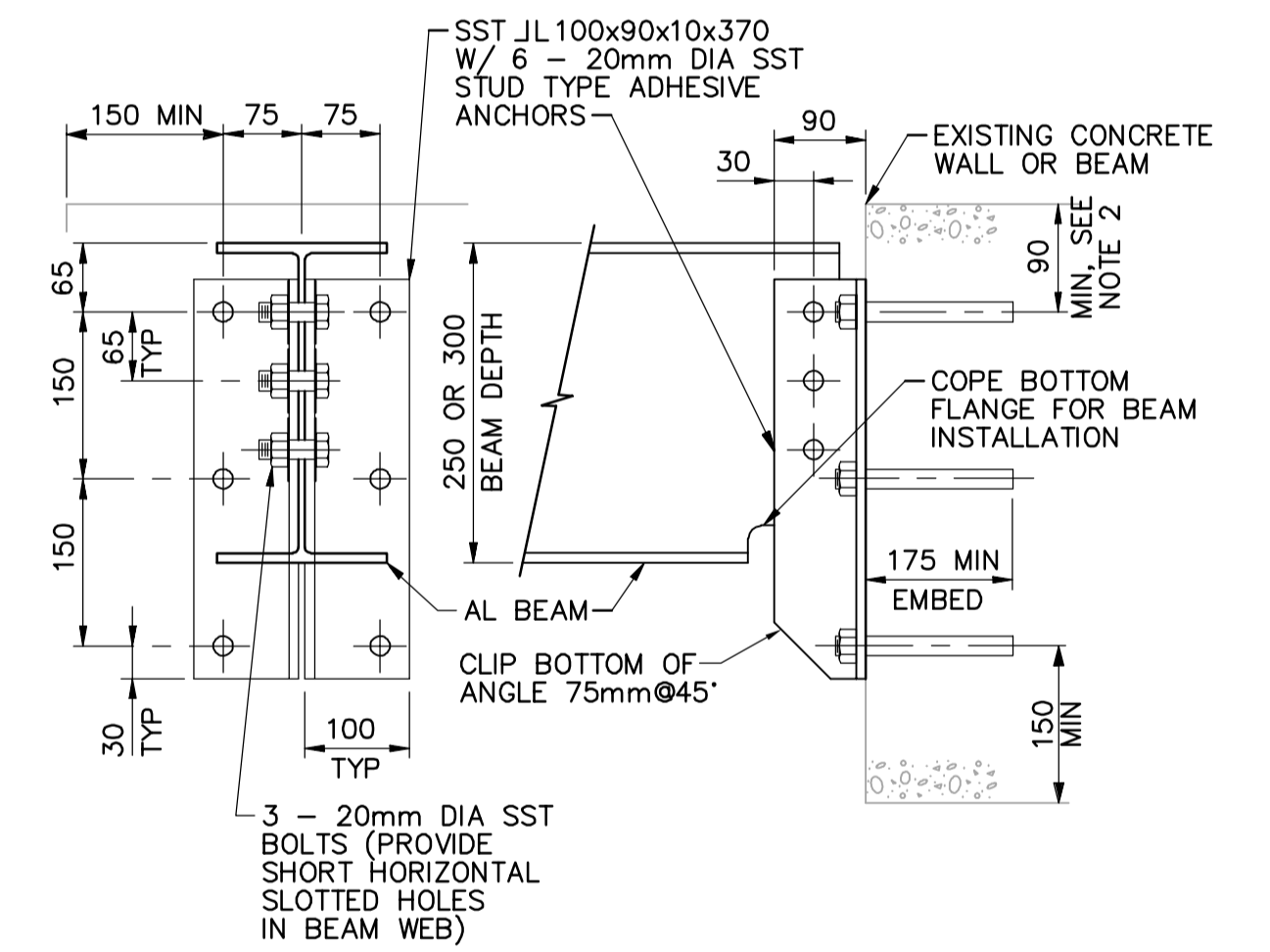


4 HANGER IN DOUBLE TEE
N.T.S.



6 BEAM/WALL CONNECTION-ALUMINUM
N.T.S.



NOTES:

- 65mm DIMENSION TYPICAL EXCEPT 50mm FOR 100mm BEAMS.
- DO NOT CUT EXISTING CONCRETE BEAM TOP REINFORCING DURING DRILL-IN ANCHOR INSTALLATION. FIELD LOCATE BEAM REINFORCING PRIOR TO FABRICATION. ADD LENGTH TO CLIP ANGLES AS REQUIRED TO LOWER ANCHORS TO CLEAR REINFORCING WHILE MAINTAINING SPACING AND EDGE DISTANCE AS SHOWN.
- WHERE BOTH ENDS OF BEAM ARE ATTACHED TO A WALL, PROVIDE LONG HORIZONTALLY SLOTTED HOLES IN BEAM WEB AT ONE END. TIGHTEN NUTS SNUG TIGHT, BACK OFF 1/2 TURN, AND LOCK WITH DOUBLE NUT.



B.M. ELEV.			
NO.	REVISIONS	DATE	BY
00	742-2005 ADDENDUM 1	06/04/21	DK

CH2MHILL Frederickson Cooper ARCHITECTS		EarthTech A Tyco International Ltd. Company	
DESIGNED BY	DK	CHECKED BY	AP
DRAWN BY	PM	APPROVED BY	AHL
SCALE:	NTS	RELEASED FOR CONSTRUCTION BY:	R. SOROKOWSKI
DATE	2006/01/03	DATE	2006/04/21

ENGINEER'S SEAL
ORIGINAL SIGNED BY
D. KRUGER
2006/04/21
CONSULTANT DRAWING NO.
WB-S7452

THE CITY OF WINNIPEG WATER AND WASTE DEPARTMENT ENGINEERING DIVISION	
WATER TREATMENT PLANT MAIN BUILDING MECHANICAL AND ELECTRICAL	CITY FILE NUMBER
STRUCTURAL	SHEET OF
STANDARD DETAILS	CITY DRAWING NUMBER
	1-0601B-A-S7452-001-000