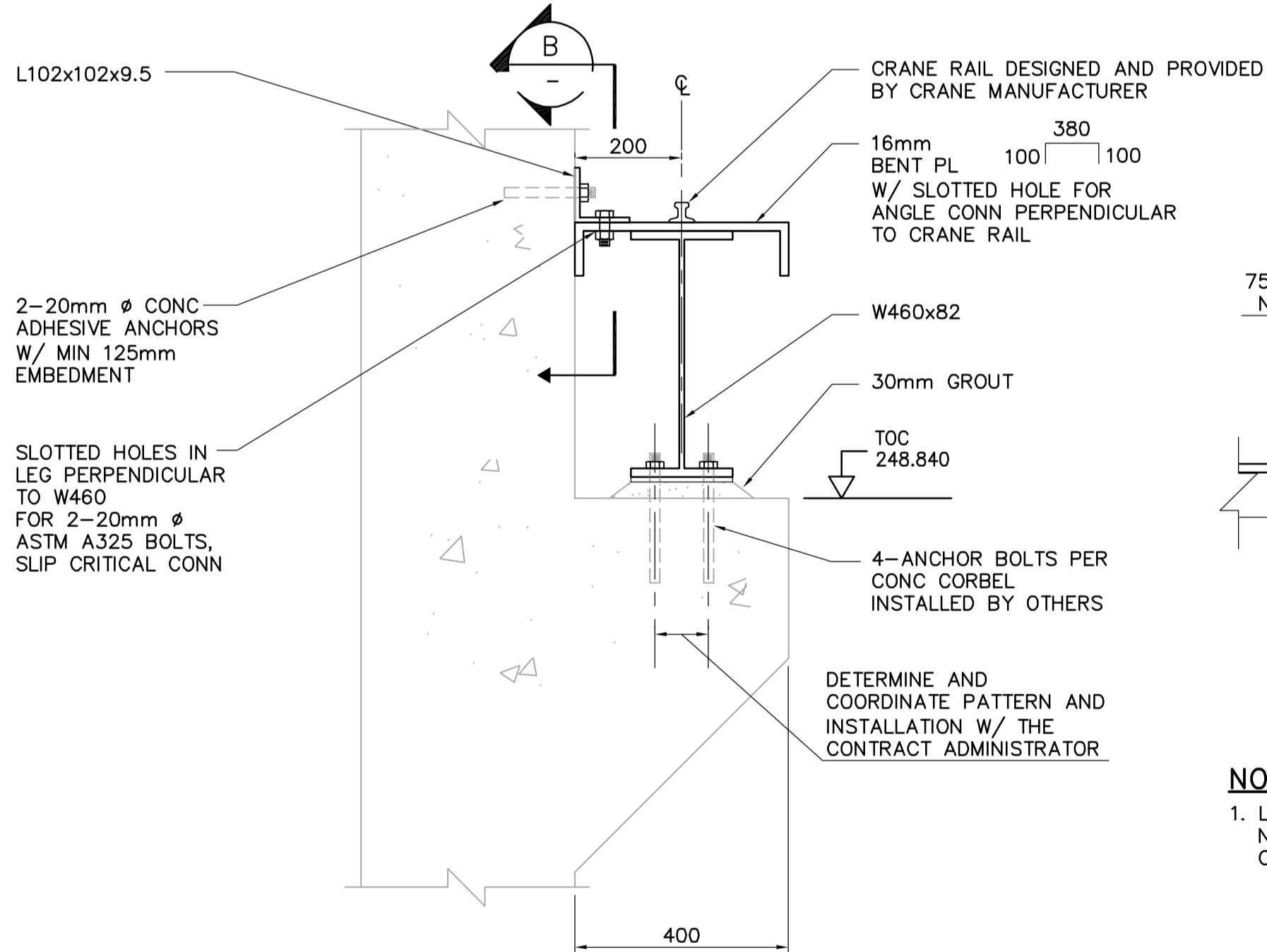


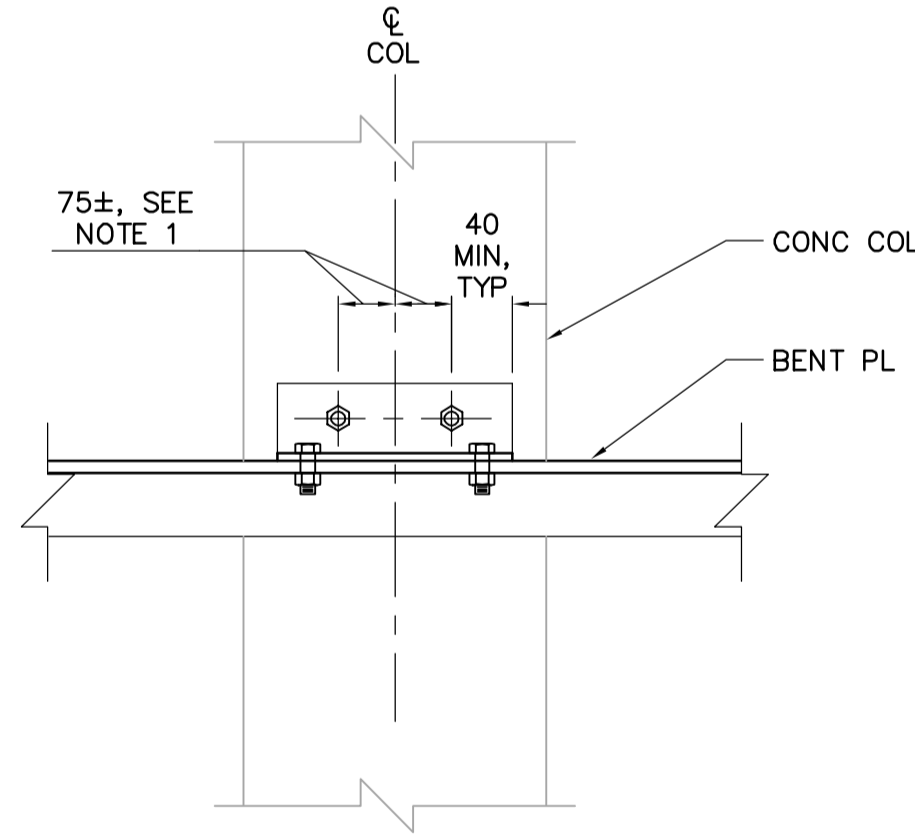
**NOTE:**  
1. CENTER MONORAIL ON EXTERIOR DOORWAY ON WEST WALL. FIELD VERIFY DIMENSIONS PRIOR TO FABRICATION.

**MONORAIL CONNECTION TO DOUBLE-TEES**

**G SECTION**  
WI-S7146 1:10

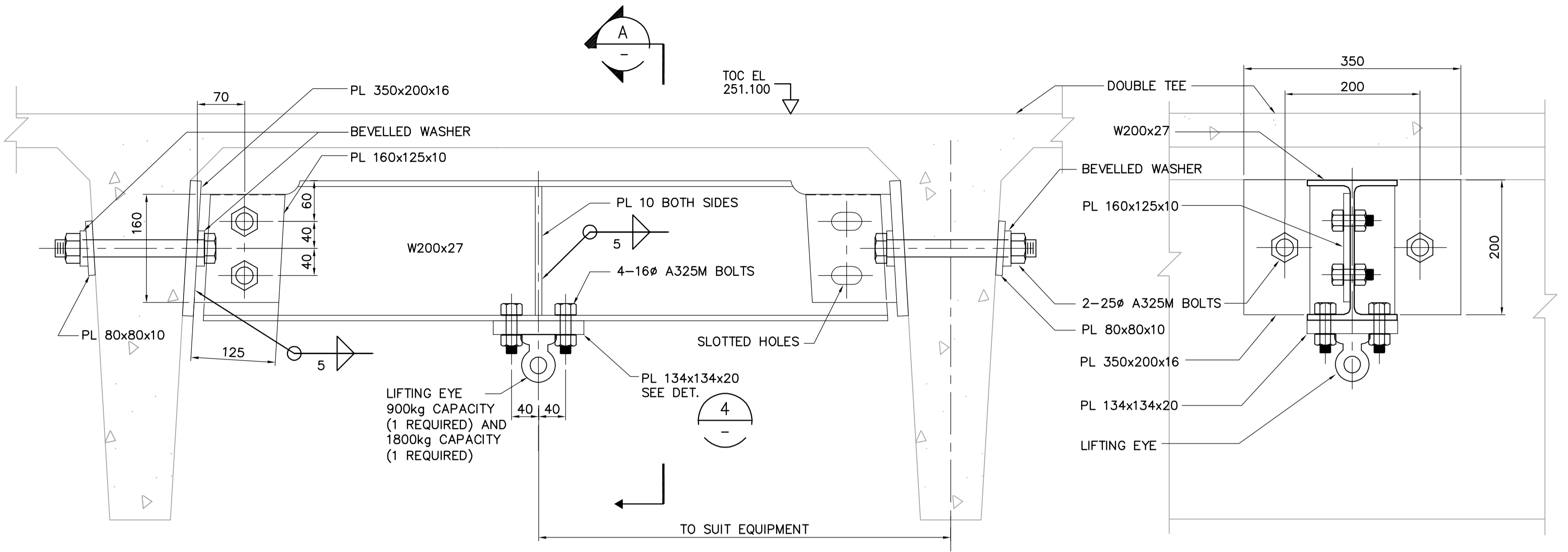


**1 DETAIL**  
WI-S7146 1:10



**NOTE:**  
1. LOCATE COLUMN REBAR PRIOR TO FABRICATION. NOTIFY ENGINEER IF ANCHORS WILL INTERFERE WITH COLUMN REBAR. DO NOT CUT COLUMN REBAR.

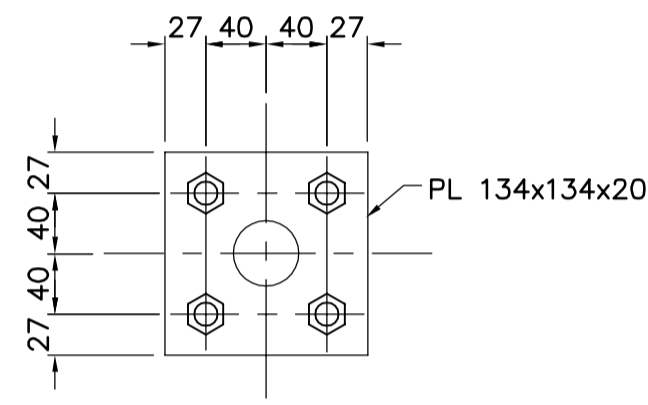
**B SECTION**  
1:10



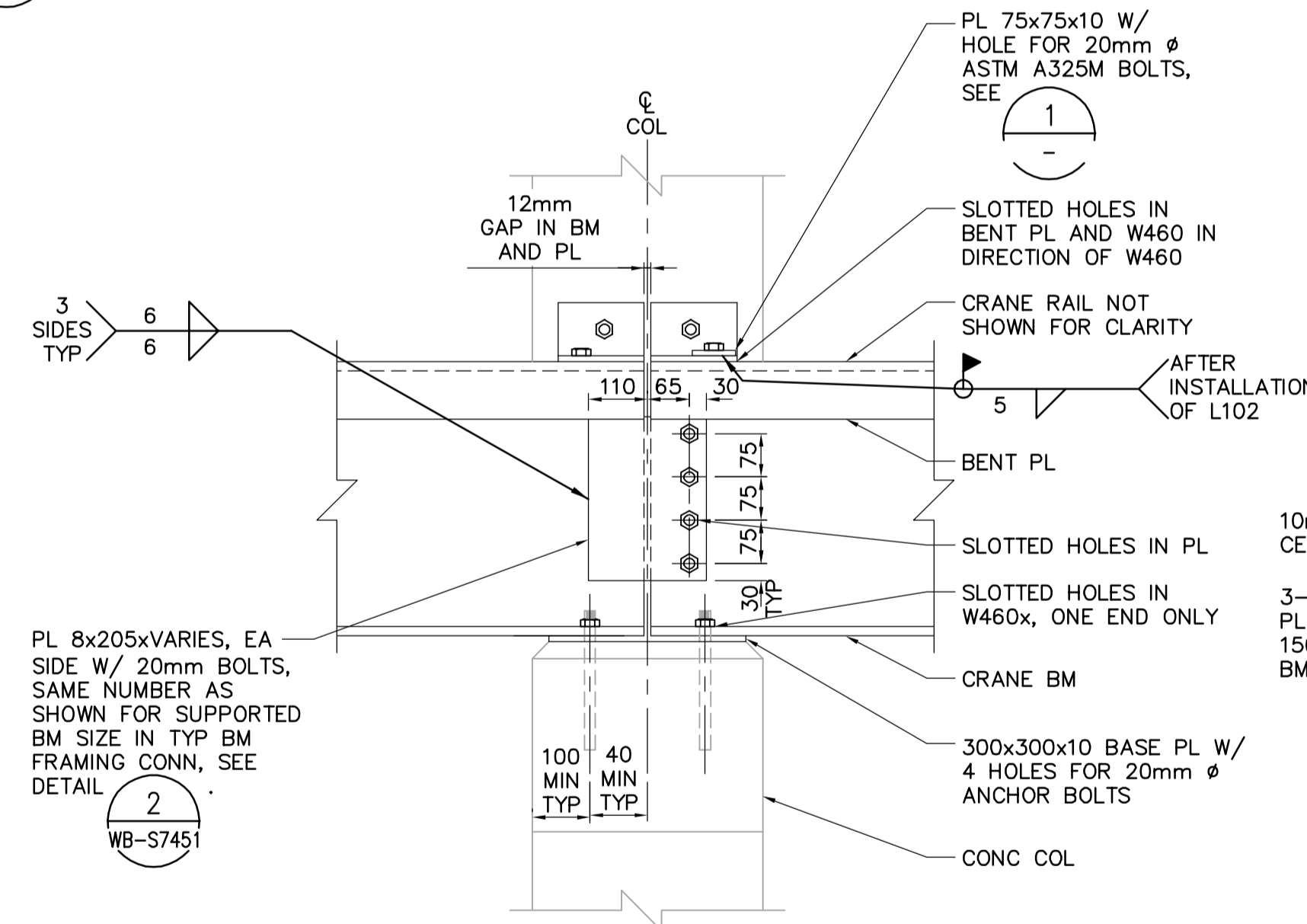
**LIFTING EYE SUPPORT**

**NOTE:**  
1. FIELD VERIFY DIMENSIONS PRIOR TO FABRICATION.

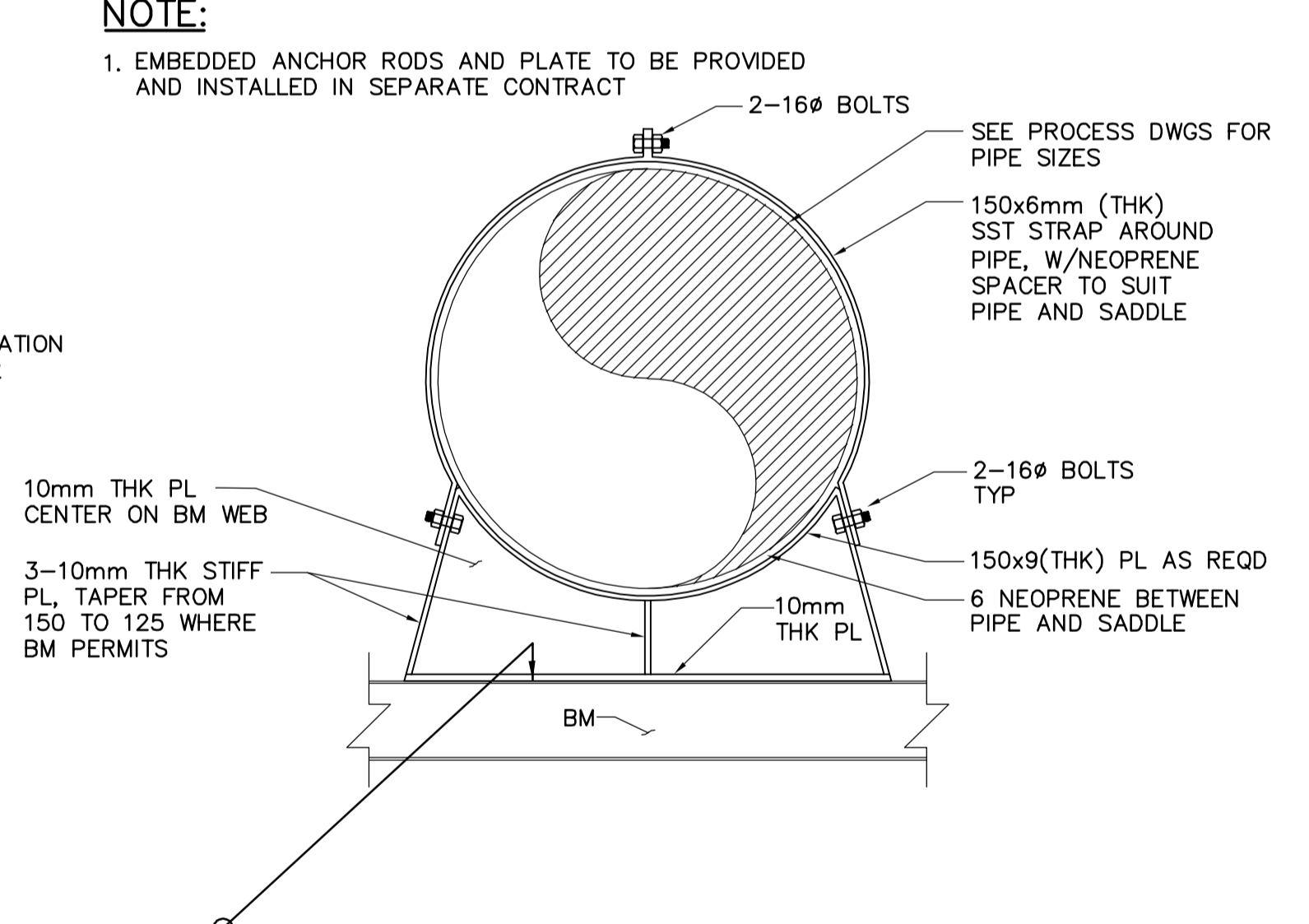
**H SECTION**  
WI-S7146 1:5



**4 DETAIL**  
1:5



**2 DETAIL**  
WI-S7146 1:10



**NOTE:**  
1. ALL METAL ITEMS SHOWN IN THIS DETAIL ARE STAINLESS STEEL.

**3 DETAIL**  
WI-S7401 1:10

<p><b>APEGN</b> Certificate of Authorization CH2M HILL Canada Ltd. No. 1441 Expiry: April 30, 2007</p>	B.M. ELEV.	<p>Frederickson Cooper ARCHITECTS</p>	<p>EarthTech A You International Ltd. Company</p>	ENGINEER'S SEAL	<p><b>THE CITY OF WINNIPEG</b> WATER AND WASTE DEPARTMENT ENGINEERING DIVISION</p>		
	DESIGNED BY EL			CHECKED BY AP		ORIGINAL SIGNED BY D. KRUGER	CITY FILE NUMBER
	DRAWN BY CA			APPROVED BY AHL		2006/04/21	SHEET OF
	SCALE: AS NOTED			RELEASED FOR CONSTRUCTION BY: R. SOROKOWSKI		CONSULTANT DRAWING NO. WI-S7402	CITY DRAWING NUMBER 1-06011-A-S7402-001-000
00 742-2005 ADDENDUM 1 06/04/21 EL	DATE 2006/03/15	DATE 2006/04/21	STRUCTURAL RAW WATER PUMP STATION AREA DETAILS				