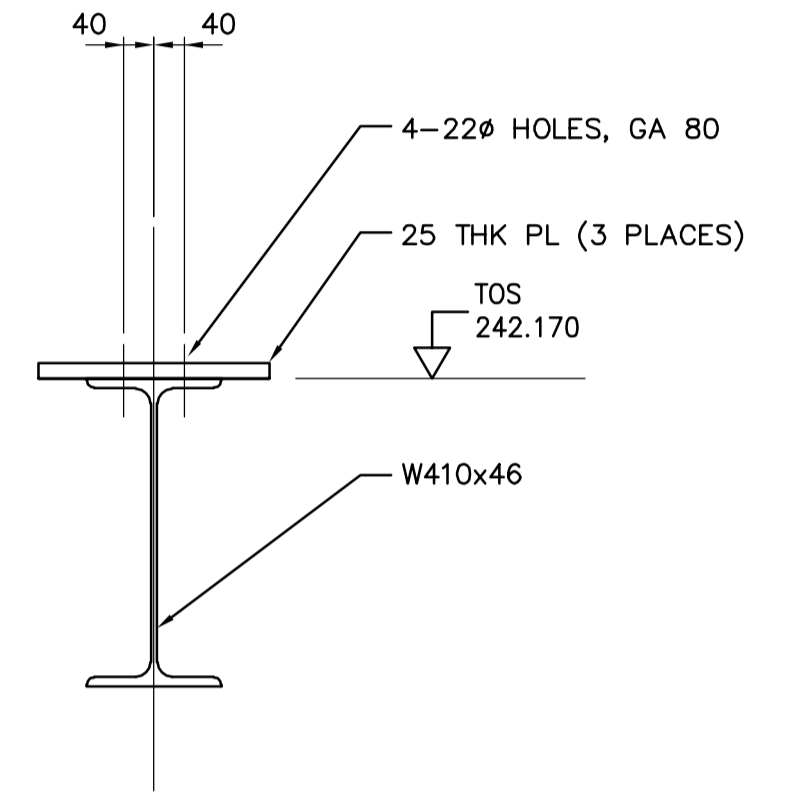
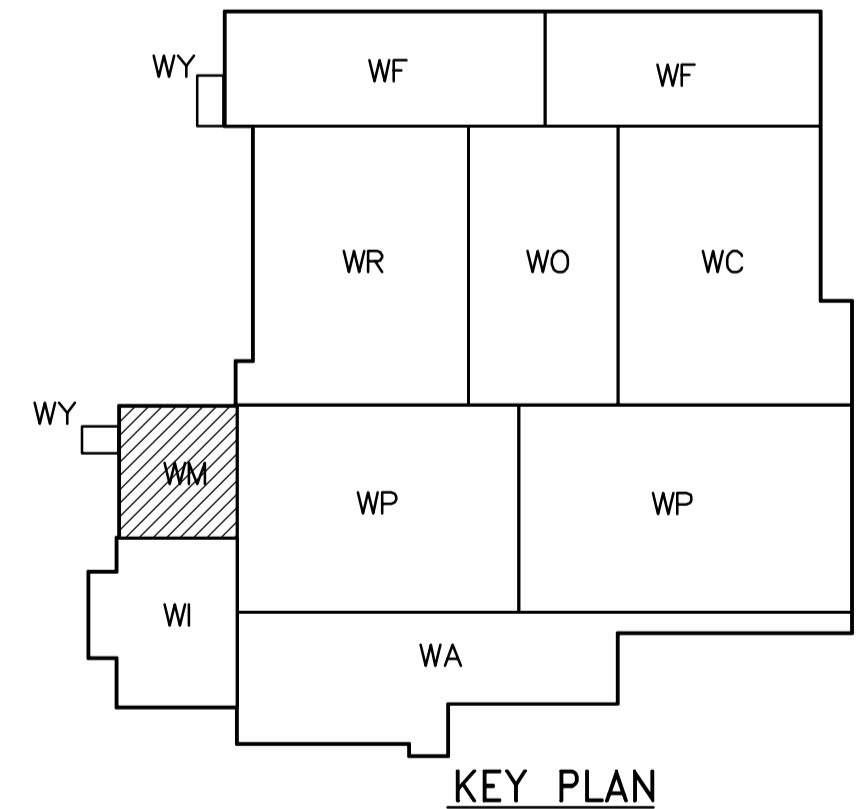


ROOF PLAN
1:100

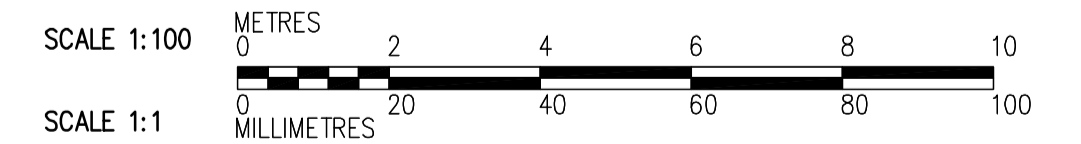


FIRE PUMP ROOM MONORAIL

A SECTION
1:10



KEY PLAN



 APEGN Certificate of Authorization CH2M HILL Canada Ltd. No. 1441 Expiry: April 30, 2006	B.M. ELEV.		 Frederickson Cooper ARCHITECTS	 A Terra International Ltd. Company	ENGINEER'S SEAL	 THE CITY OF WINNIPEG WATER AND WASTE DEPARTMENT ENGINEERING DIVISION	CITY FILE NUMBER
	DESIGNED BY EL	CHECKED BY AP			ORIGINAL SIGNED BY D. KRUGER		SHEET OF
	DRAWN BY RL/CA	APPROVED BY AHL	2006/04/21	WATER TREATMENT PLANT GENERAL PLANT SERVICES/MISCELLANEOUS MECHANICAL AND ELECTRICAL			
	SCALE: AS NOTED	RELEASED FOR CONSTRUCTION BY: R. SOROKOWSKI	CONSULTANT DRAWING NO. WM-S7141	STRUCTURAL ELECTRICAL ROOM ROOF PLAN			
NO. REVISIONS	DATE BY	DATE	DATE	DATE		CITY DRAWING NUMBER 1-0601M-A-S7141-001-000	