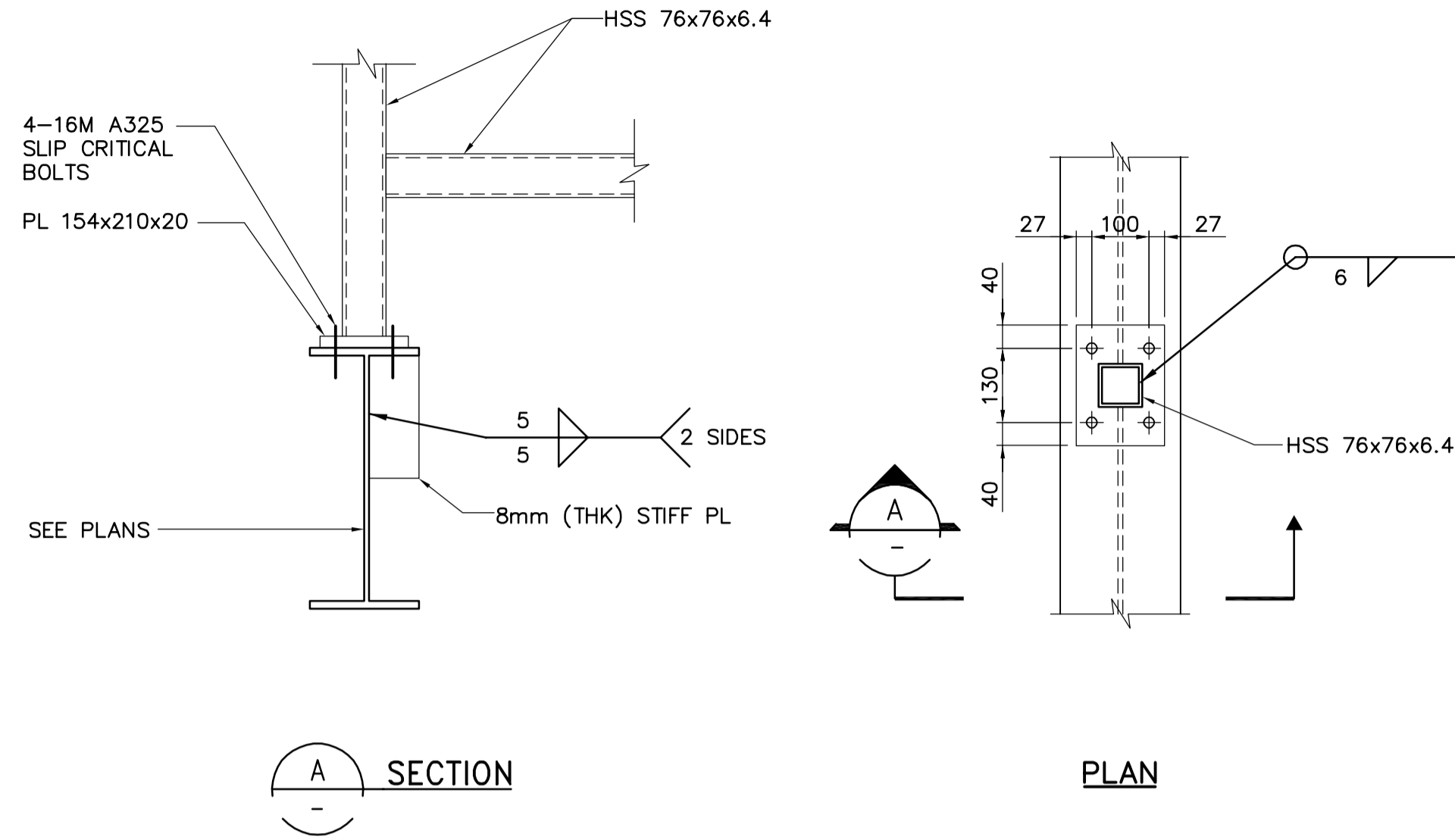
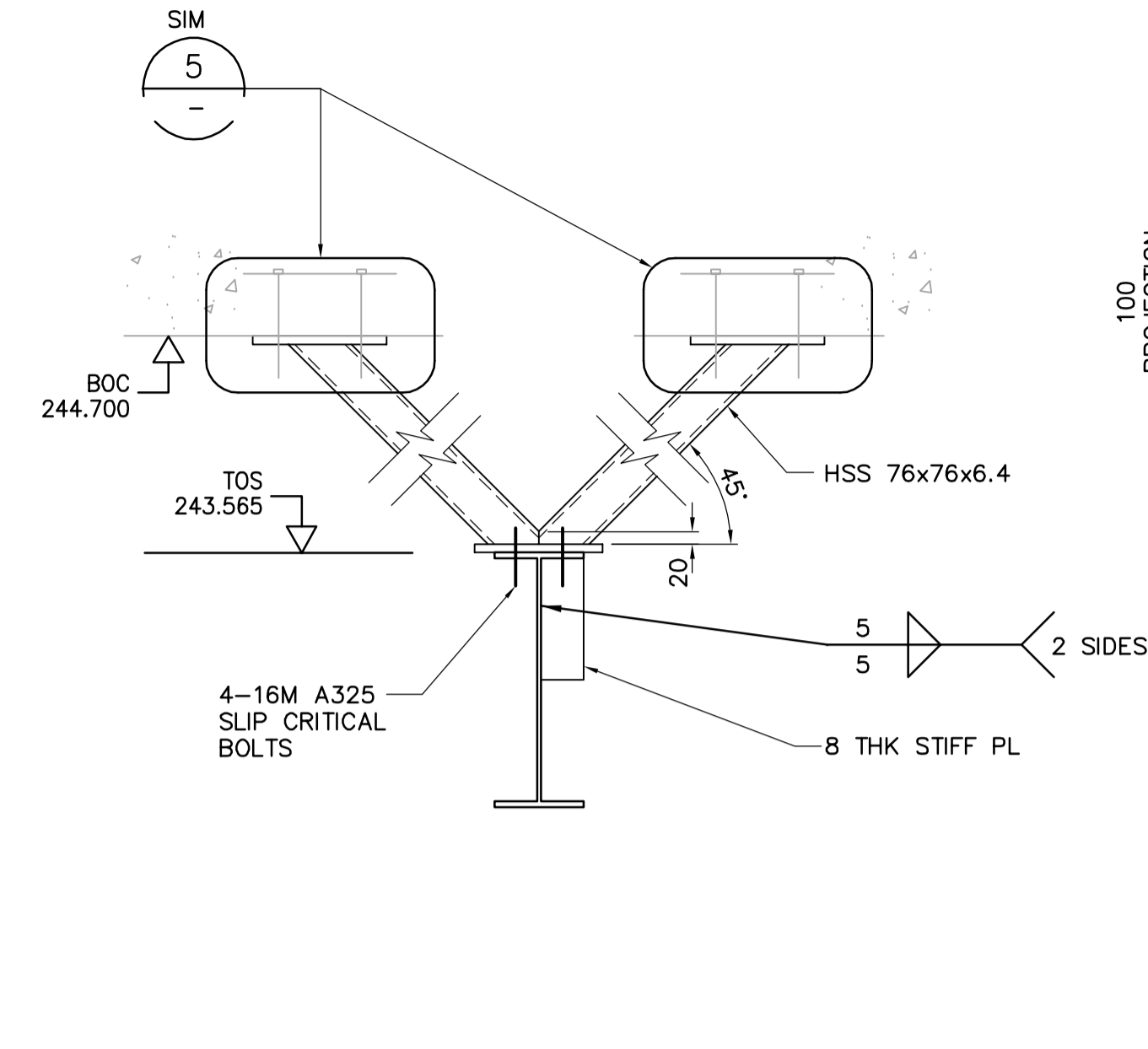


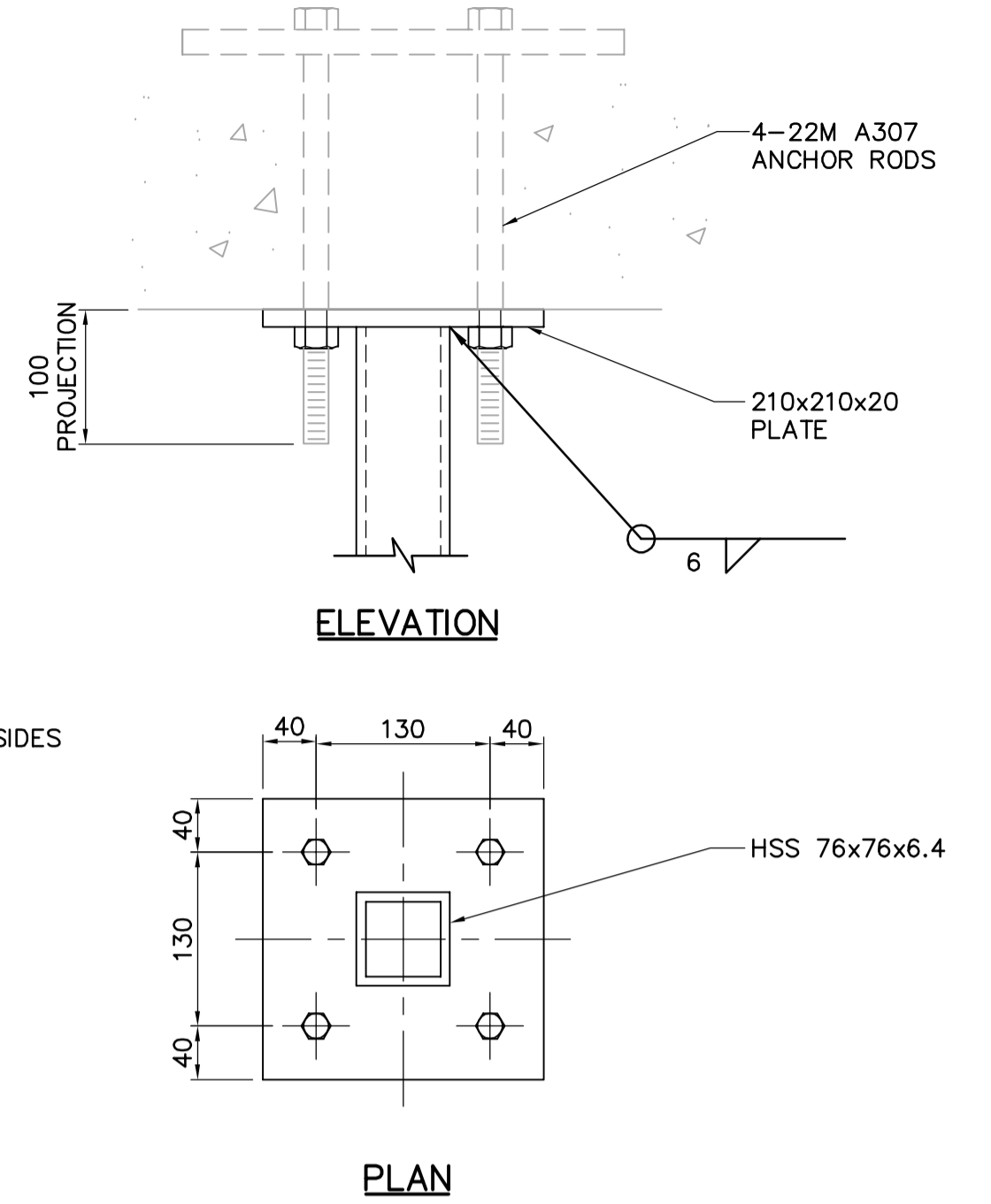
1 DETAIL
WR-S7131 1:25



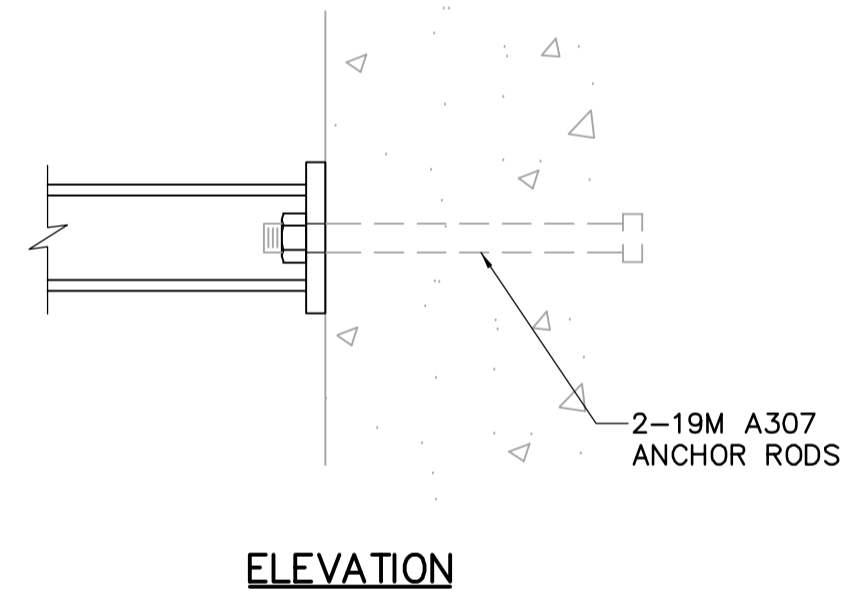
2 DETAIL
1:10



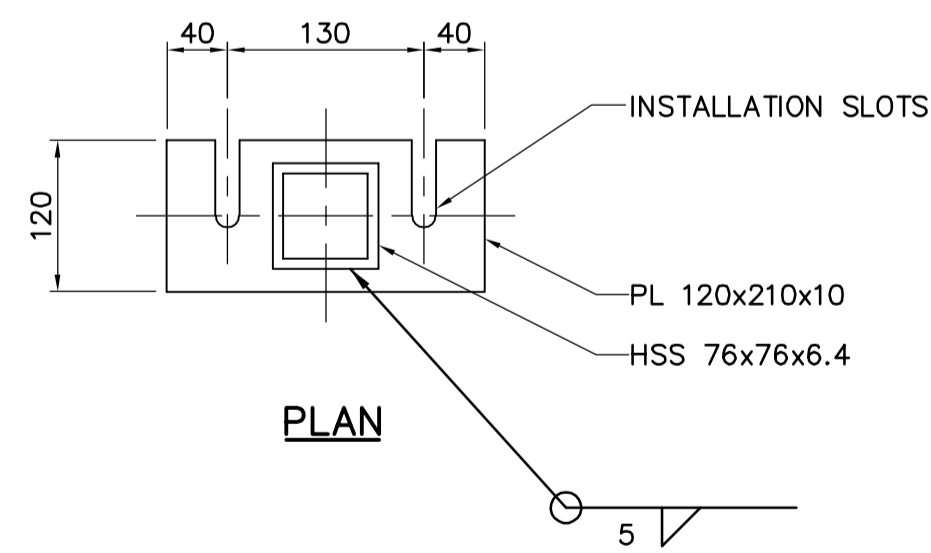
4 DETAIL
WR-S7131 1:10



5 DETAIL
1:5

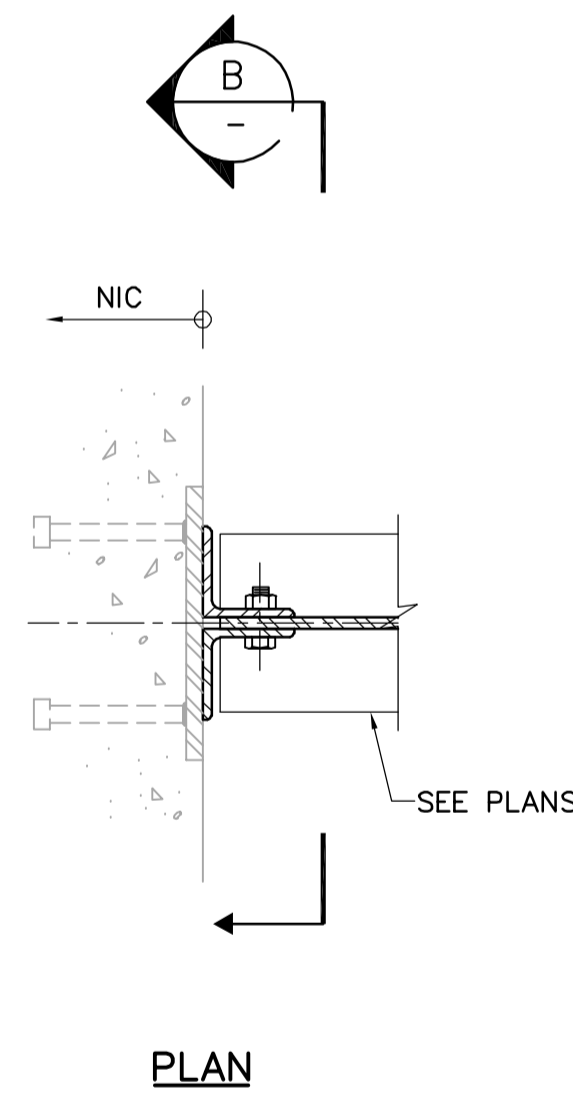


ELEVATION

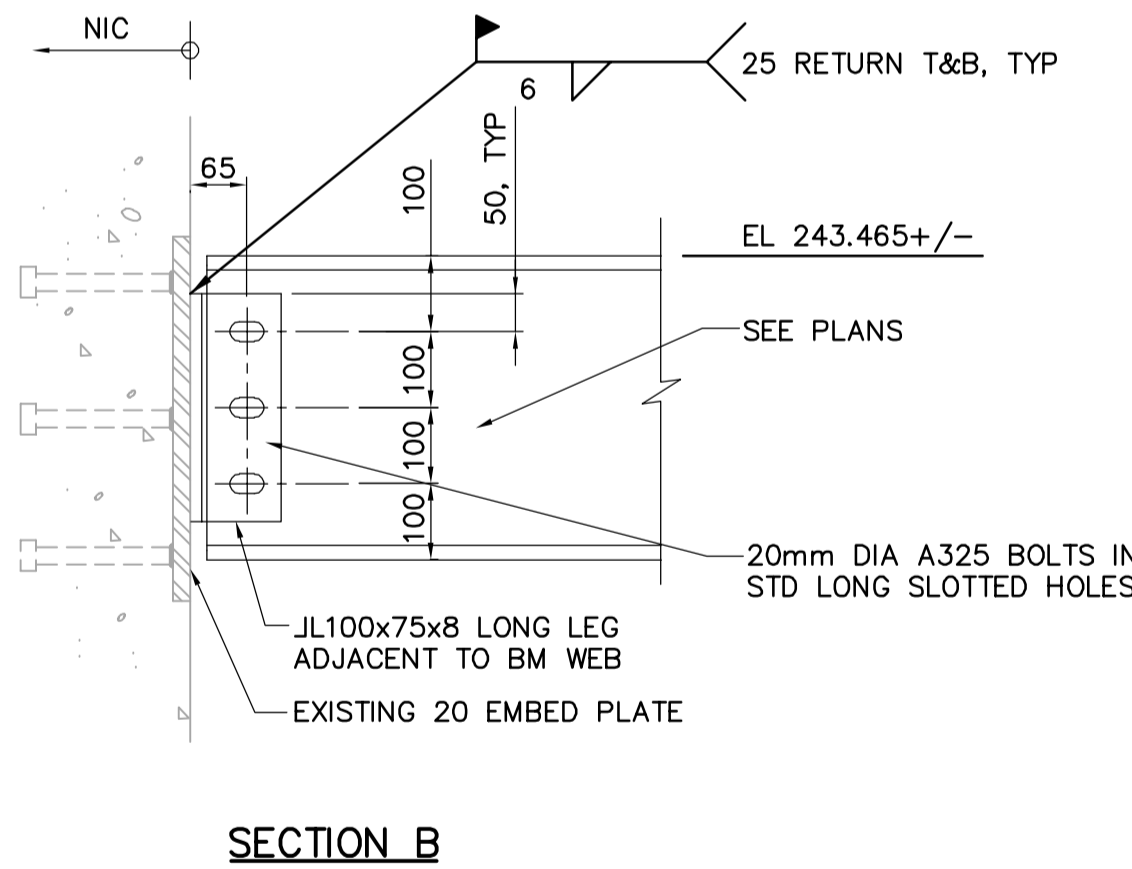


PLAN

6 DETAIL
1:5

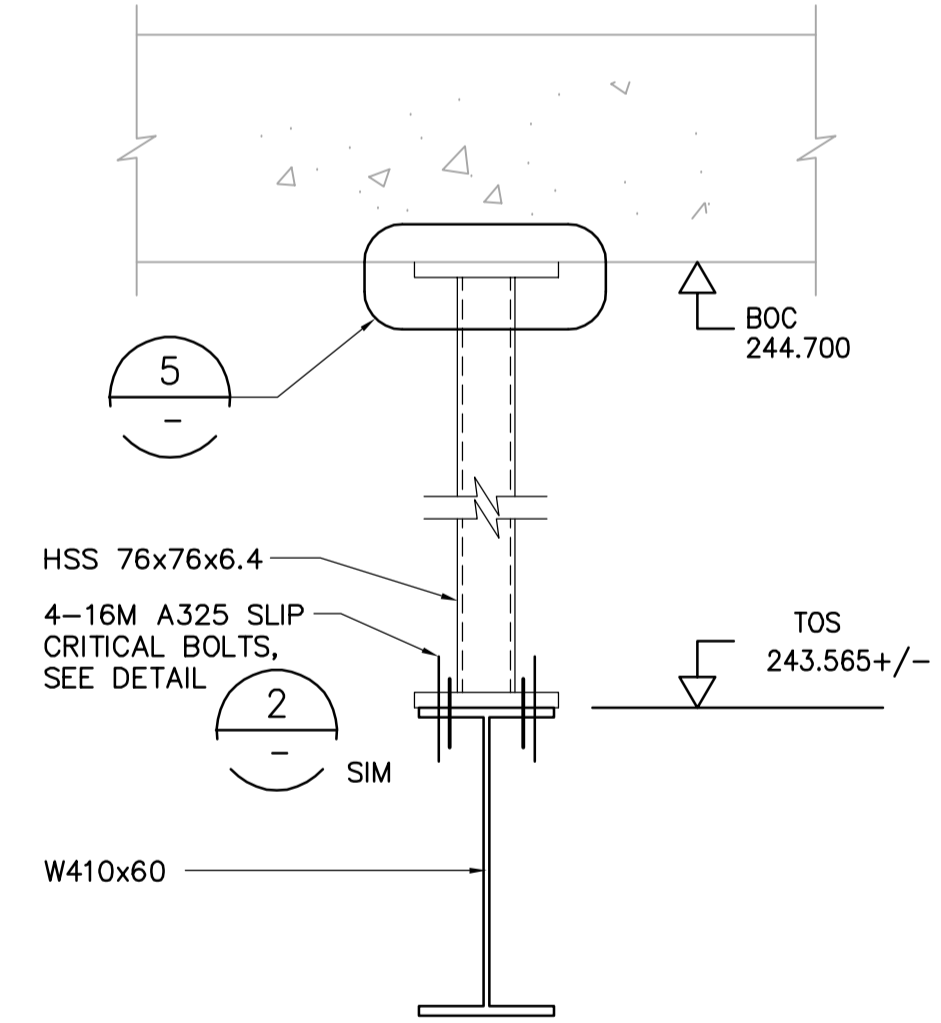


PLAN



SECTION B

7 DETAIL
WR-S7131 1:10



9 DETAIL
WR-S7131 1:10

NOTE
FIELD VERIFY DIMENSIONS PRIOR TO FABRICATION.

<p>APEGN Certificate of Authorization CH2M HILL Canada Ltd. No. 1441 Expiry: April 30, 2006</p>	<p>Frederickson Cooper ARCHITECTS</p>		<p>EarthTech A Tyco International Ltd. Company</p>		ENGINEER'S SEAL ORIGINAL SIGNED BY D. KRUGER 2006/04/21	<p>THE CITY OF WINNIPEG WATER AND WASTE DEPARTMENT ENGINEERING DIVISION</p>
	DESIGNED BY: MH CHECKED BY: AP		DRAWN BY: CA APPROVED BY: AHL		WATER TREATMENT PLANT RESIDUALS HANDLING MECHANICAL AND ELECTRICAL	
	SCALE: AS NOTED RELEASED FOR CONSTRUCTION BY: R. SOROKOWSKI		CONSULTANT DRAWING NO. WR-S7401			
	NO. REVISIONS DATE BY		DATE BY		STRUCTURAL RESIDUALS HANDLING AREA DETAILS	