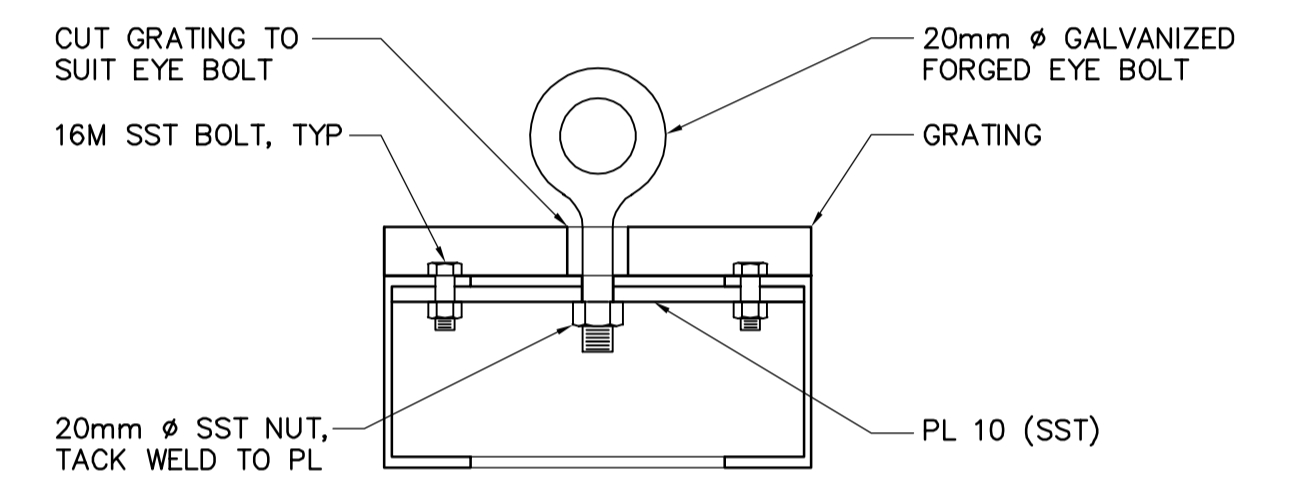


NOTE:
1. GRATING NOT SHOWN FOR CLARITY.

GRATING SUPPORT AT CONCRETE WALL
(2 PLACES)

A SECTION
NTS

2 DETAIL
NTS



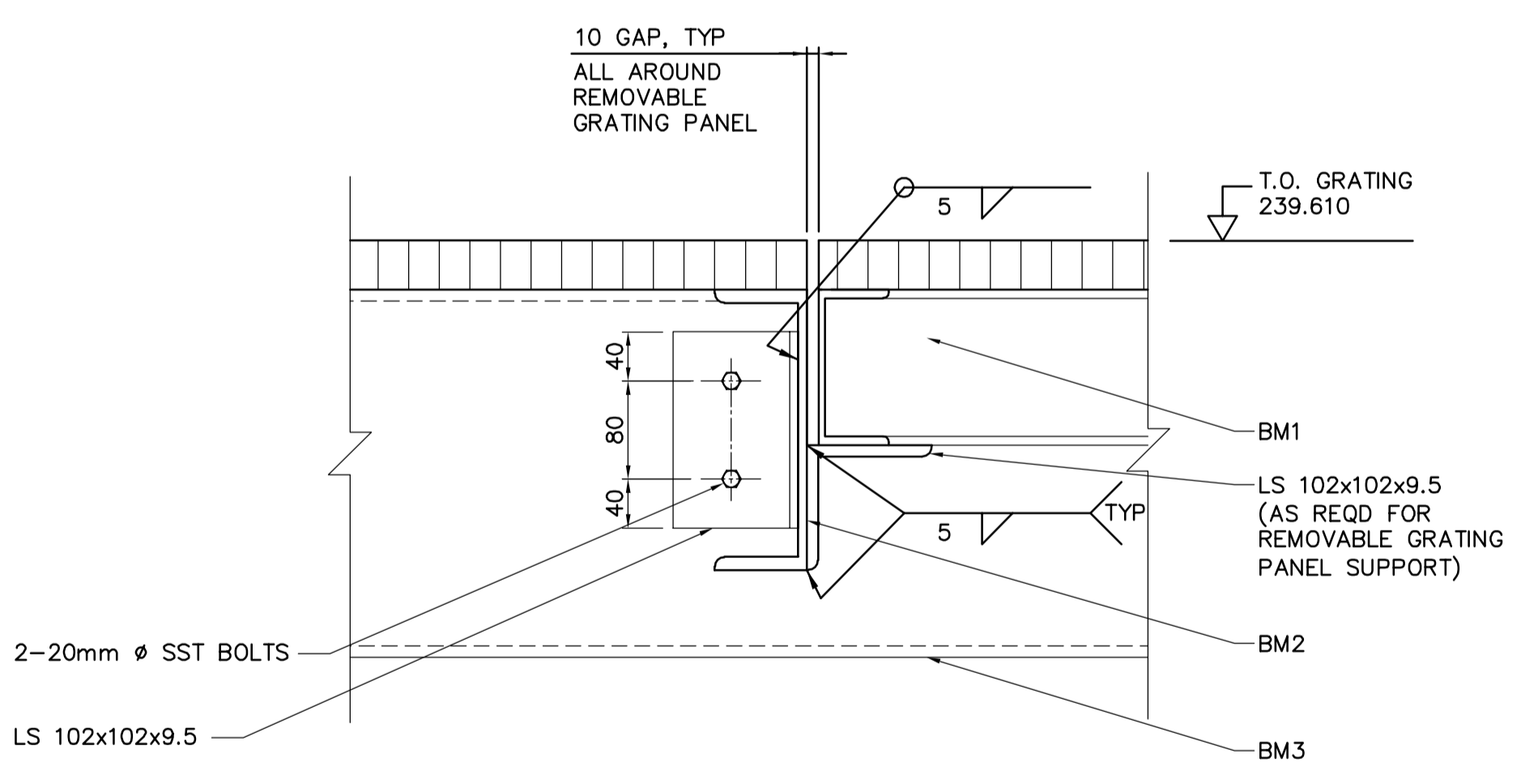
LIFTING EYE FOR REMOVABLE GRATING

D DETAIL
NTS

AL GRATING, RATED FOR FOOT TRAFFIC, GS-2 AND GS-3, SEE DETAIL TYP
1
WB-S7453

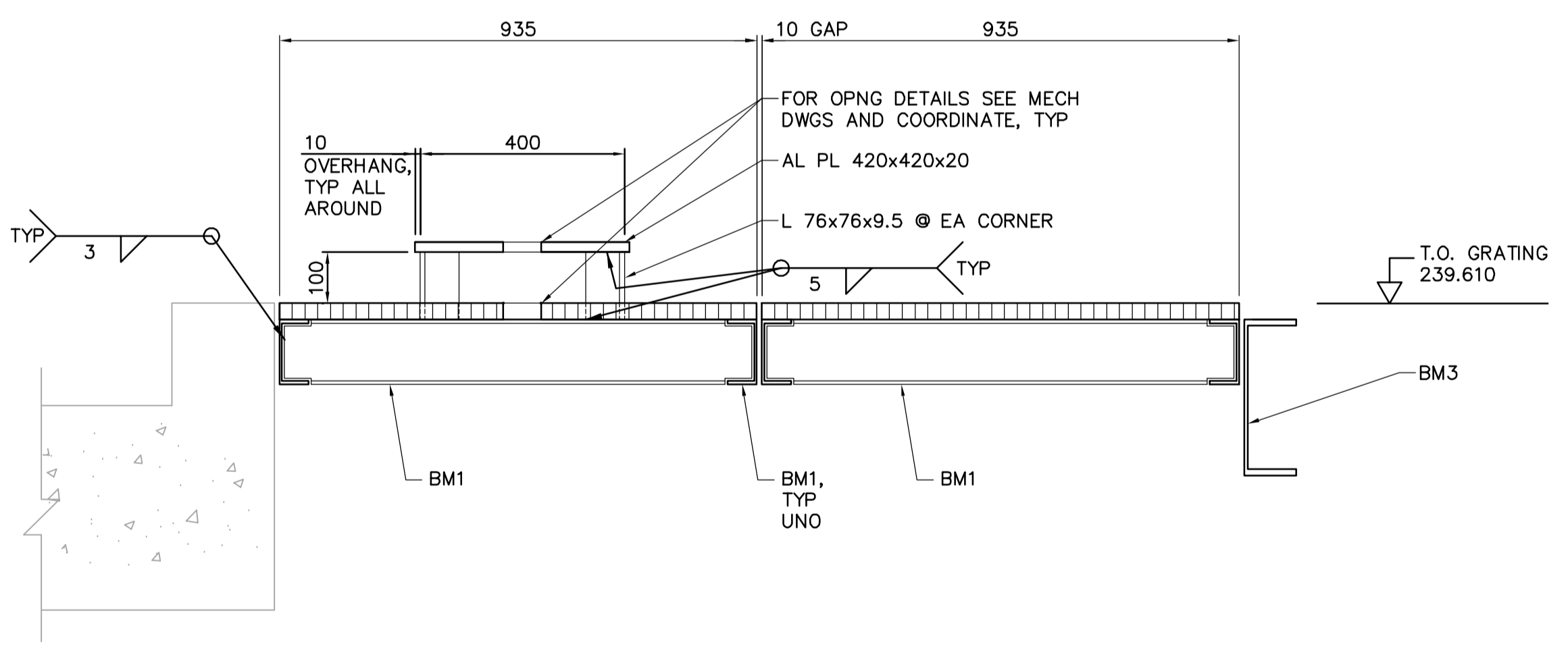
FOR BM/WALL CONN SEE (TYP 4 PLACES) WB-S7452
6

1 DETAIL
WR-S7121 1:20



GRATING SUPPORT AT CHANNEL

B SECTION
NTS



C SECTION
NTS

- NOTES:**
1. BM1= AL CS 152x5.88
BM2= AL CS 254x8.97
BM3= SST C381x49.5
 2. FIELD VERIFY DIMENSIONS PRIOR TO FABRICATION.
 3. PROVIDE PROTECTION FOR DISSIMILAR METALS.

LEGEND:
⊗ LIFTING EYE INSERT LOCATION

| | | | | | | |
|--|------------------------------------|---|--|---------------------------------|--|--|
| <p>APEGN Certificate of Authorization CH2M HILL Canada Ltd. No. 1441 Expiry: April 30, 2006</p> | B.M. ELEV. | <p>Frederickson Cooper ARCHITECTS</p> | <p>EarthTech A Tyco International Ltd. Company</p> | ENGINEER'S SEAL | <p>THE CITY OF WINNIPEG WATER AND WASTE DEPARTMENT ENGINEERING DIVISION</p> <p>WATER TREATMENT PLANT RESIDUALS HANDLING MECHANICAL AND ELECTRICAL</p> <p>STRUCTURAL RESIDUALS HANDLING AREA DETAILS</p> | <p>CITY FILE NUMBER</p> <p>SHEET OF</p> <p>CITY DRAWING NUMBER 1-0601R-A-S7402-001-000</p> |
| | | DESIGNED BY: EL | CHECKED BY: AP | ORIGINAL SIGNED BY: D. KRUGER | | |
| | | DRAWN BY: CA | APPROVED BY: AHL | 2006/04/21 | | |
| | | SCALE: AS NOTED | RELEASED FOR CONSTRUCTION BY: R. SOROKOWSKI | CONSULTANT DRAWING NO. WR-S7402 | | |
| | 00 742-2005 ADDENDUM 1 06/04/21 EL | DATE: 2006/03/17 | DATE: 2006/04/21 | | | |