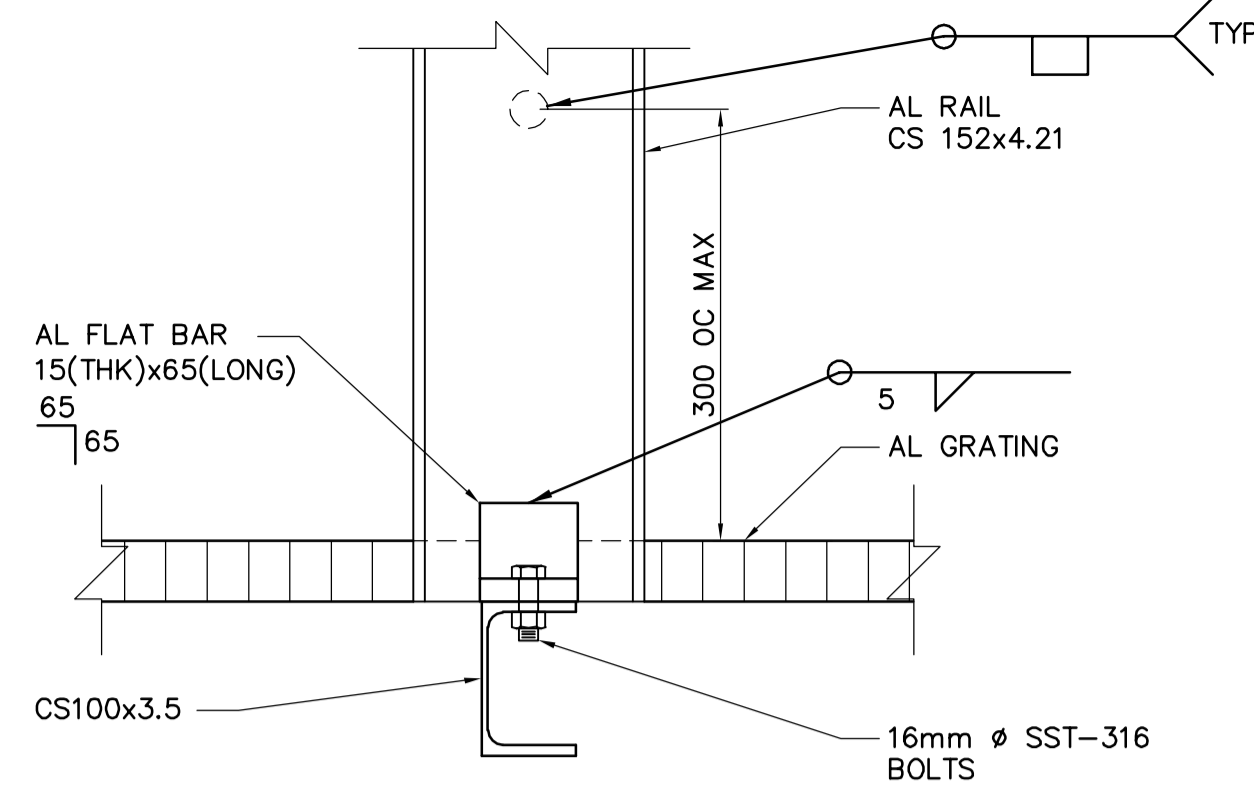
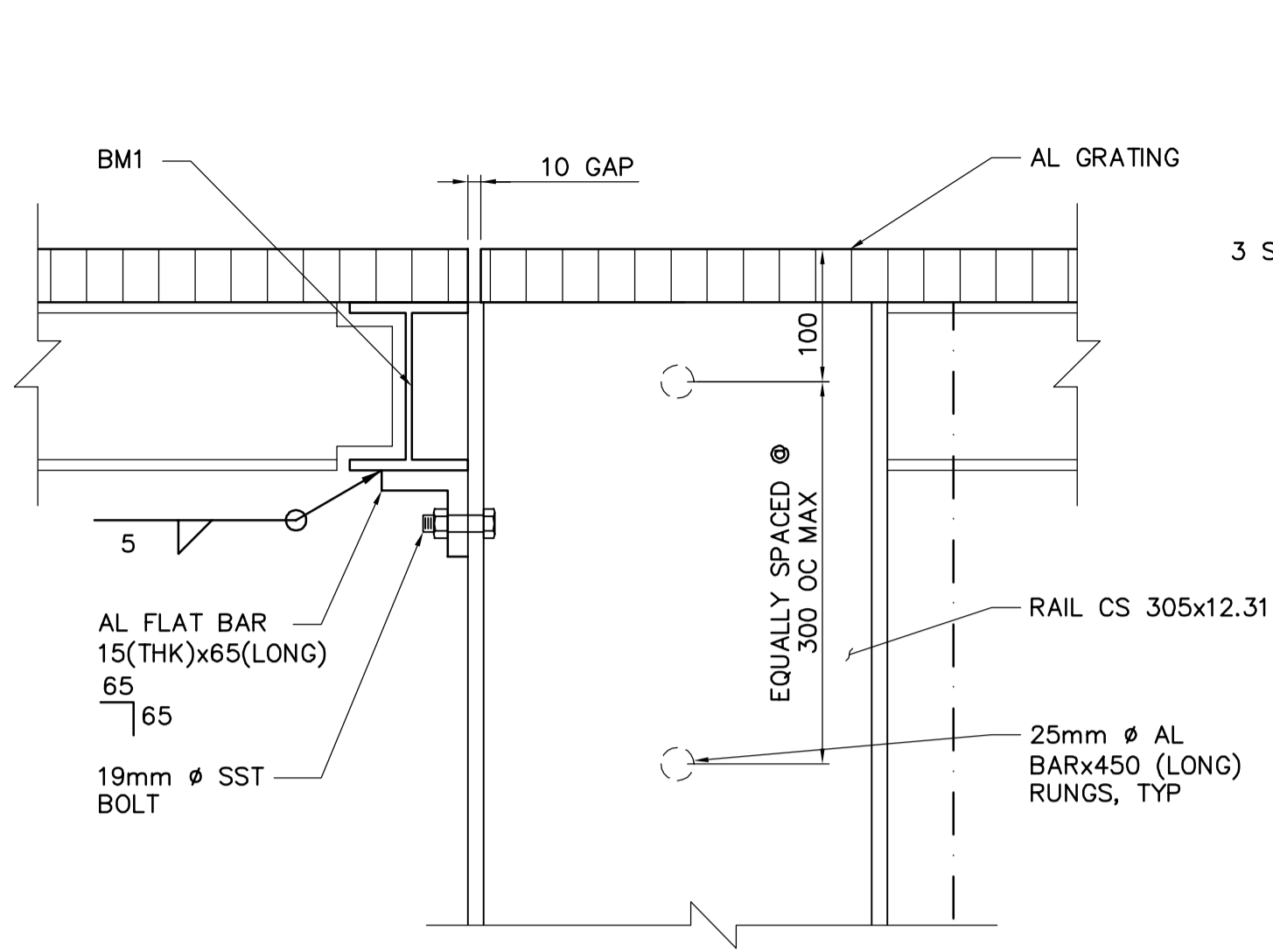


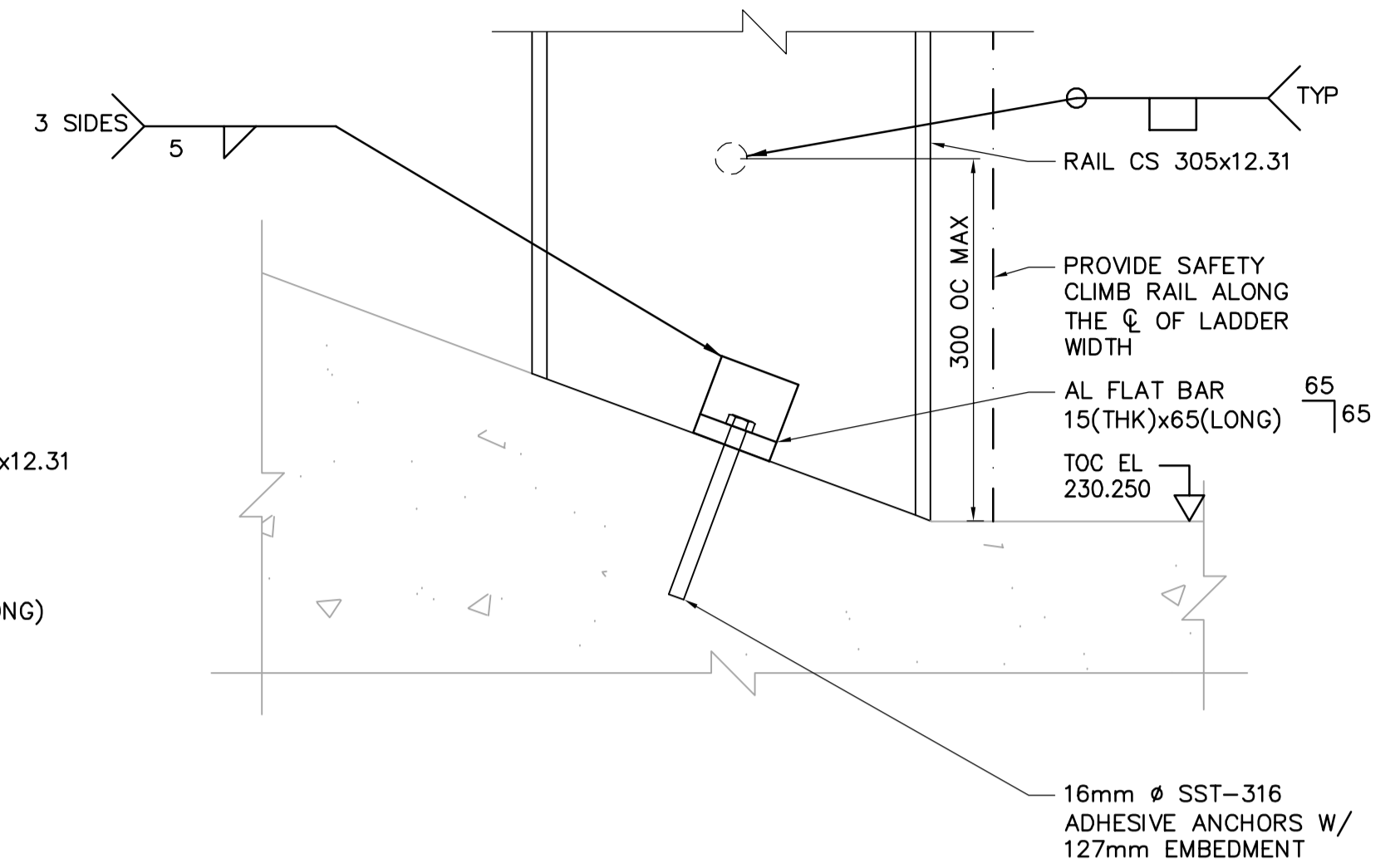
TOP LADDER CONNECTION



BOTTOM LADDER CONNECTION



TOP LADDER CONNECTION

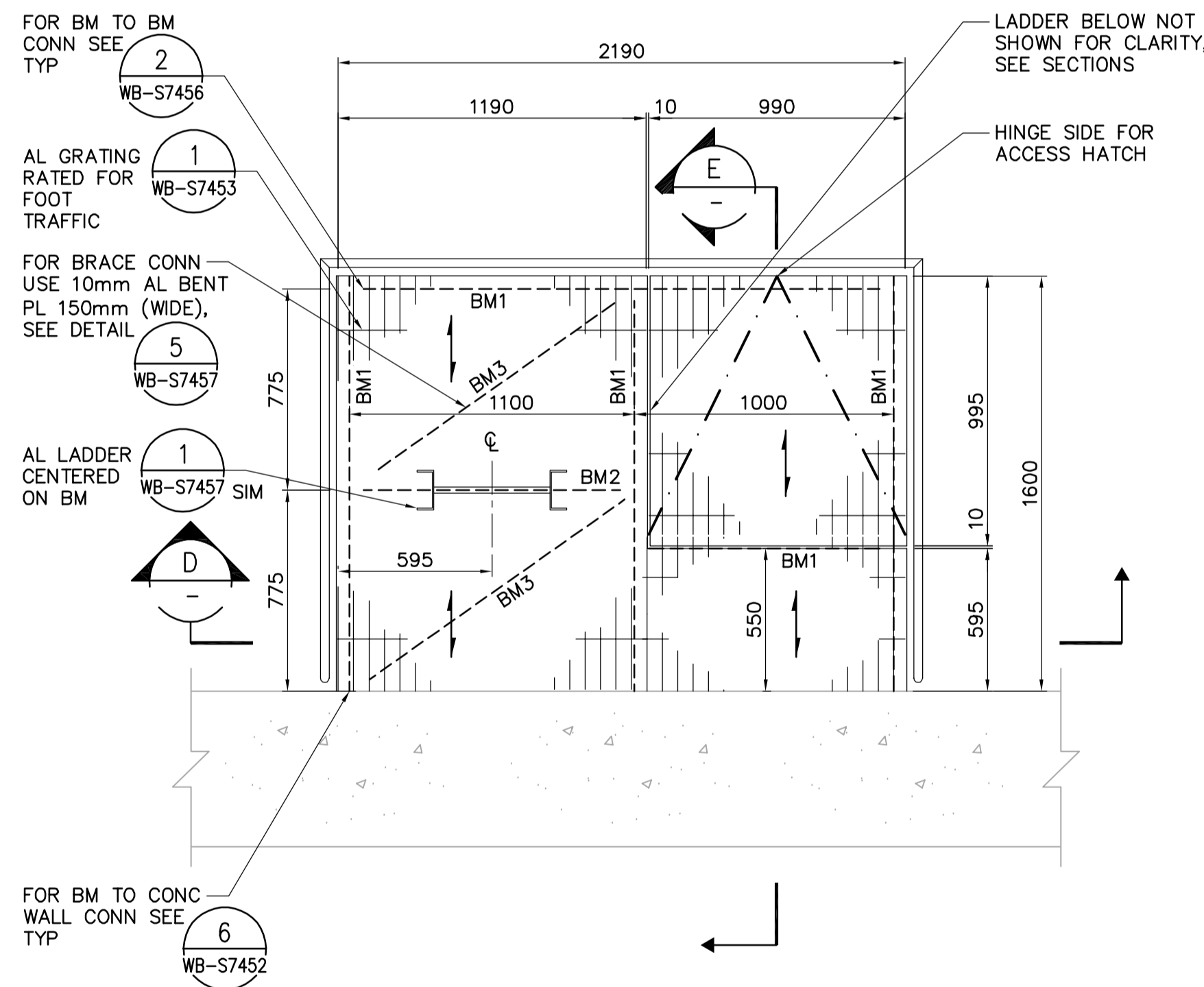
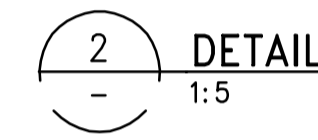


BOTTOM LADDER CONNECTION

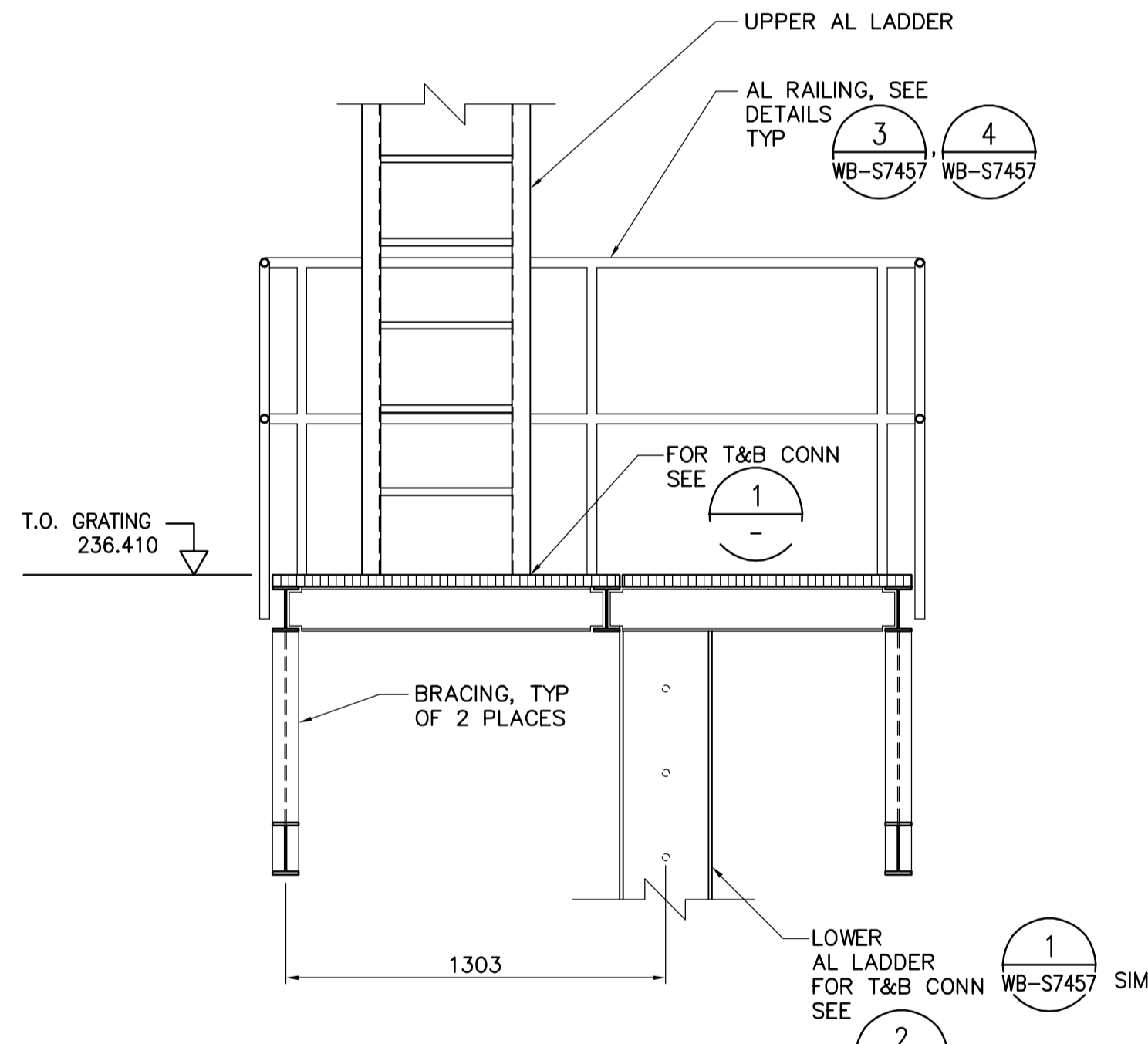
UPPER LADDER



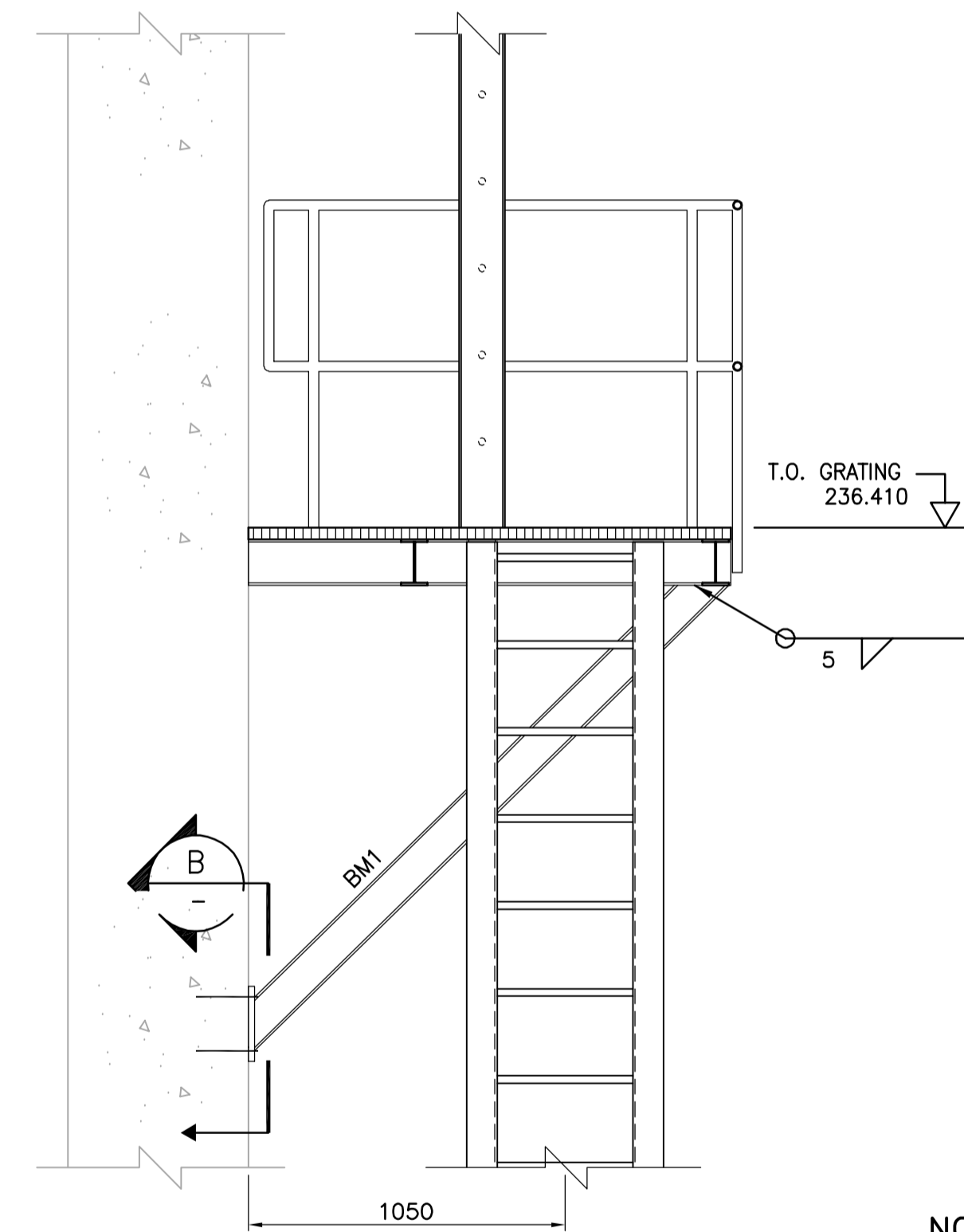
LOWER LADDER



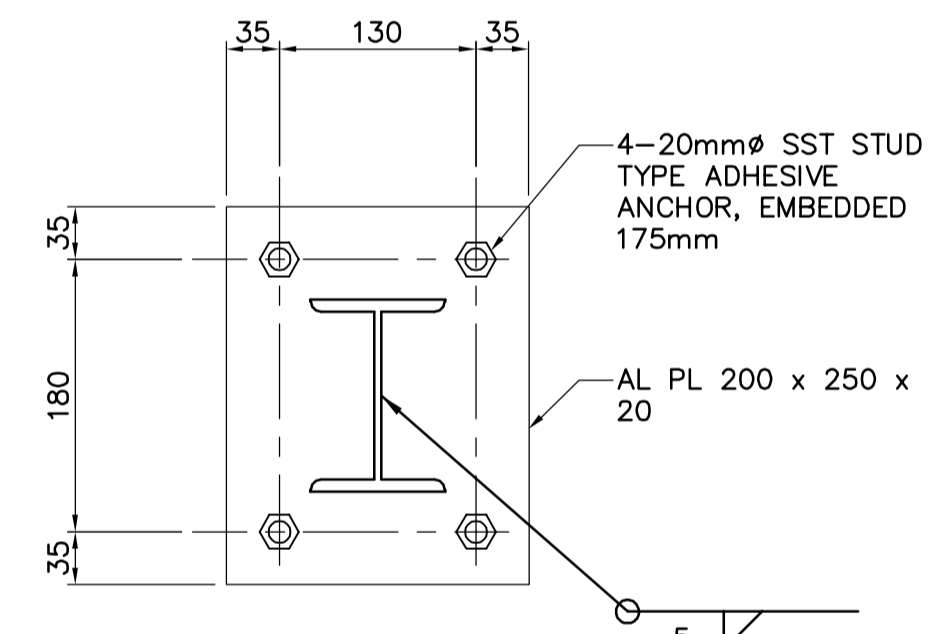
4
1:20



D
1:20



E
1:20



B
1:5

NOTES:

- BM1= AL I 152.5x6.9
BM2= AL CS 102x3.4
BM3= AL L102x102x6.4
- PROVIDE PROTECTION BETWEEN DISSIMILAR METALS.
- UPPER AND LOWER LADDERS ONLY REQUIRE TOP AND BOTTOM CONNECTIONS.

<p>Certificate of Authorization CH2M HILL Canada Ltd. No. 1441 Expiry: April 30, 2007</p>	B.M. ELEV.	<p>Frederickson Cooper ARCHITECTS</p>	<p>A You International Ltd. Company</p>	ENGINEER'S SEAL	<p>THE CITY OF WINNIPEG WATER AND WASTE DEPARTMENT ENGINEERING DIVISION</p>	
	DESIGNED BY EL			CHECKED BY AP		ORIGINAL SIGNED BY D. KRUGER
	DRAWN BY CA			APPROVED BY AHL		2006/04/21
	SCALE: AS NOTED			RELEASED FOR CONSTRUCTION BY: R. SOROKOWSKI		CONSULTANT DRAWING NO. WR-S7403
00 742-2005 ADDENDUM 1 06/04/21 EL	DATE BY	DATE 2006/03/29	DATE 2006/04/21		<p>WATER TREATMENT PLANT RESIDUALS HANDLING MECHANICAL AND ELECTRICAL</p> <p>STRUCTURAL RESIDUALS HANDLING AREA DETAILS</p>	
NO. REVISIONS	DATE	DATE	DATE		<p>CITY FILE NUMBER</p> <p>SHEET OF</p> <p>CITY DRAWING NUMBER 1-0601R-A-S7403-001-000</p>	