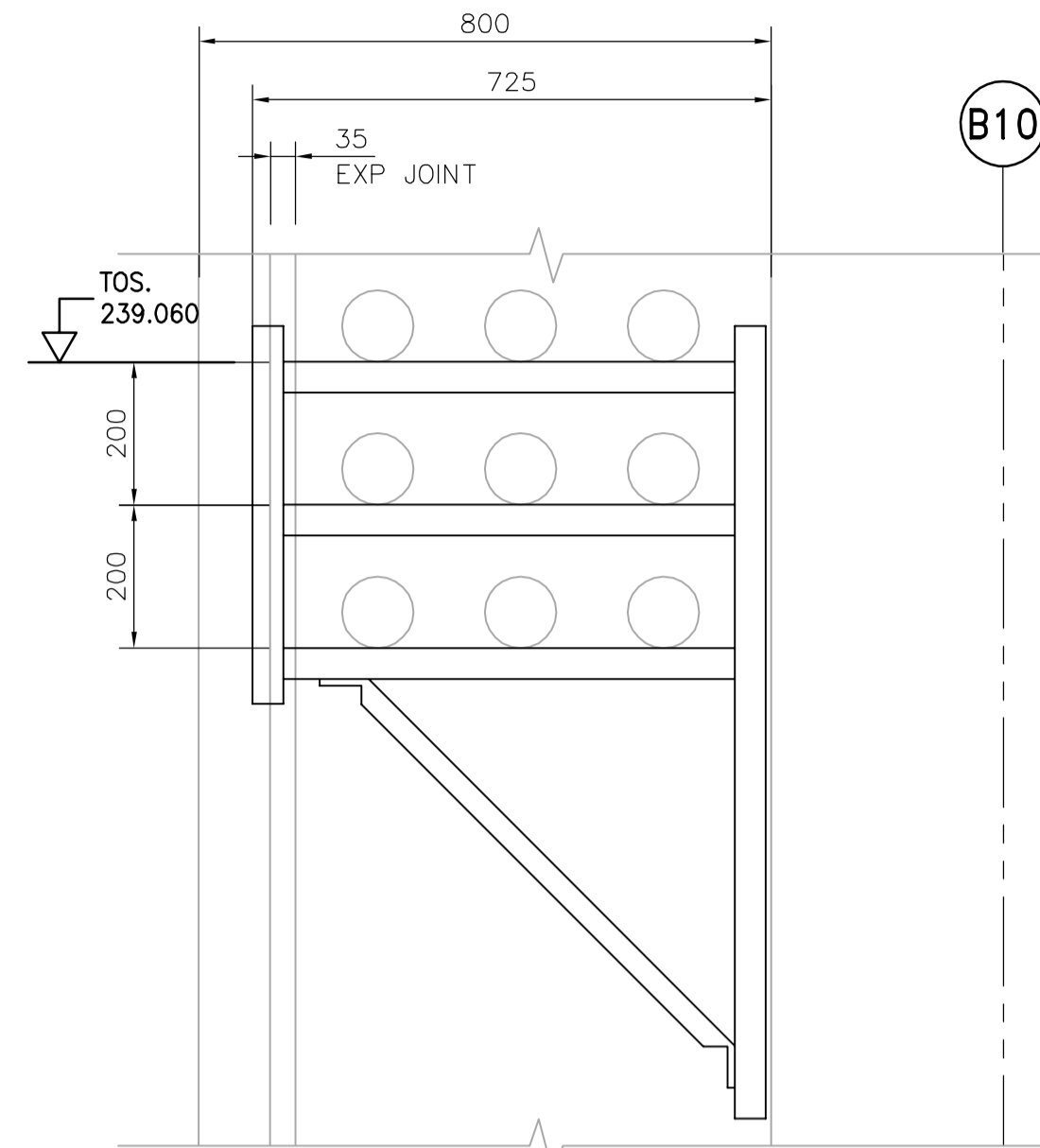
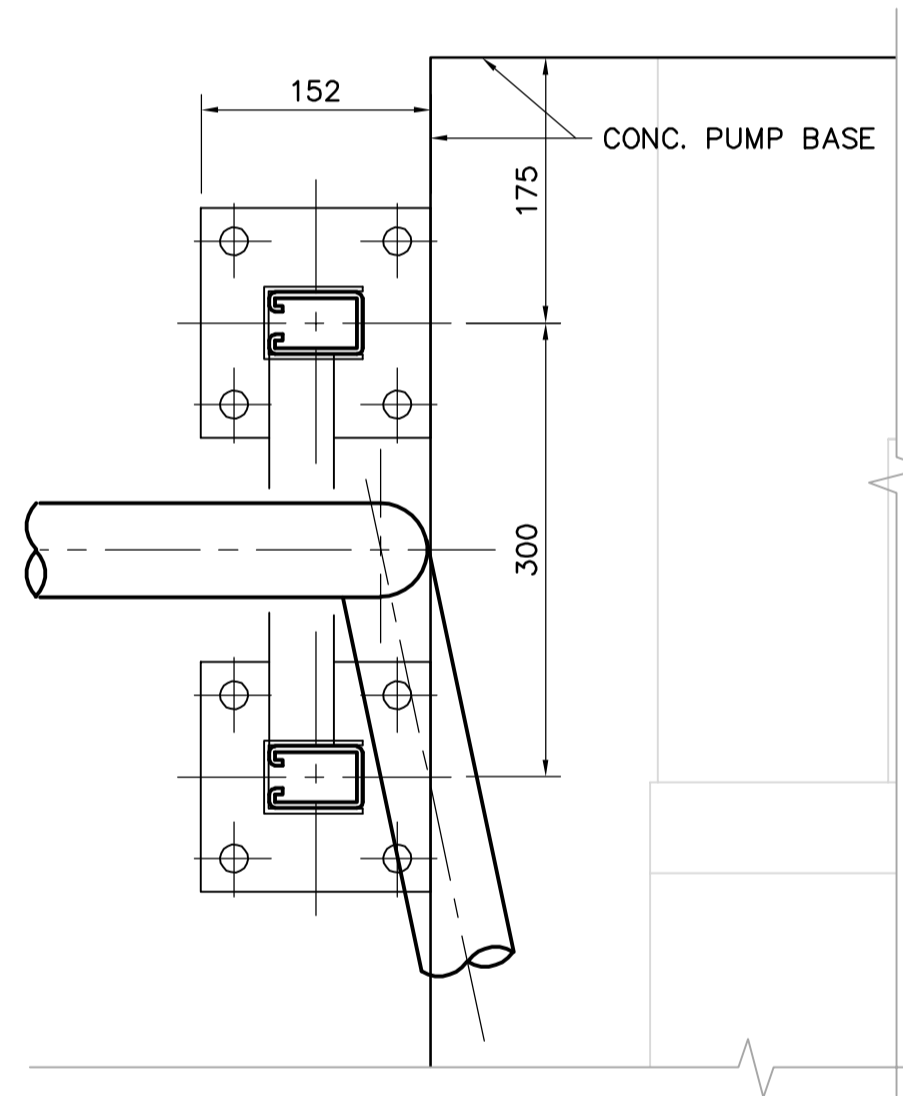


**B SECTION**  
WB-E0404 1:50

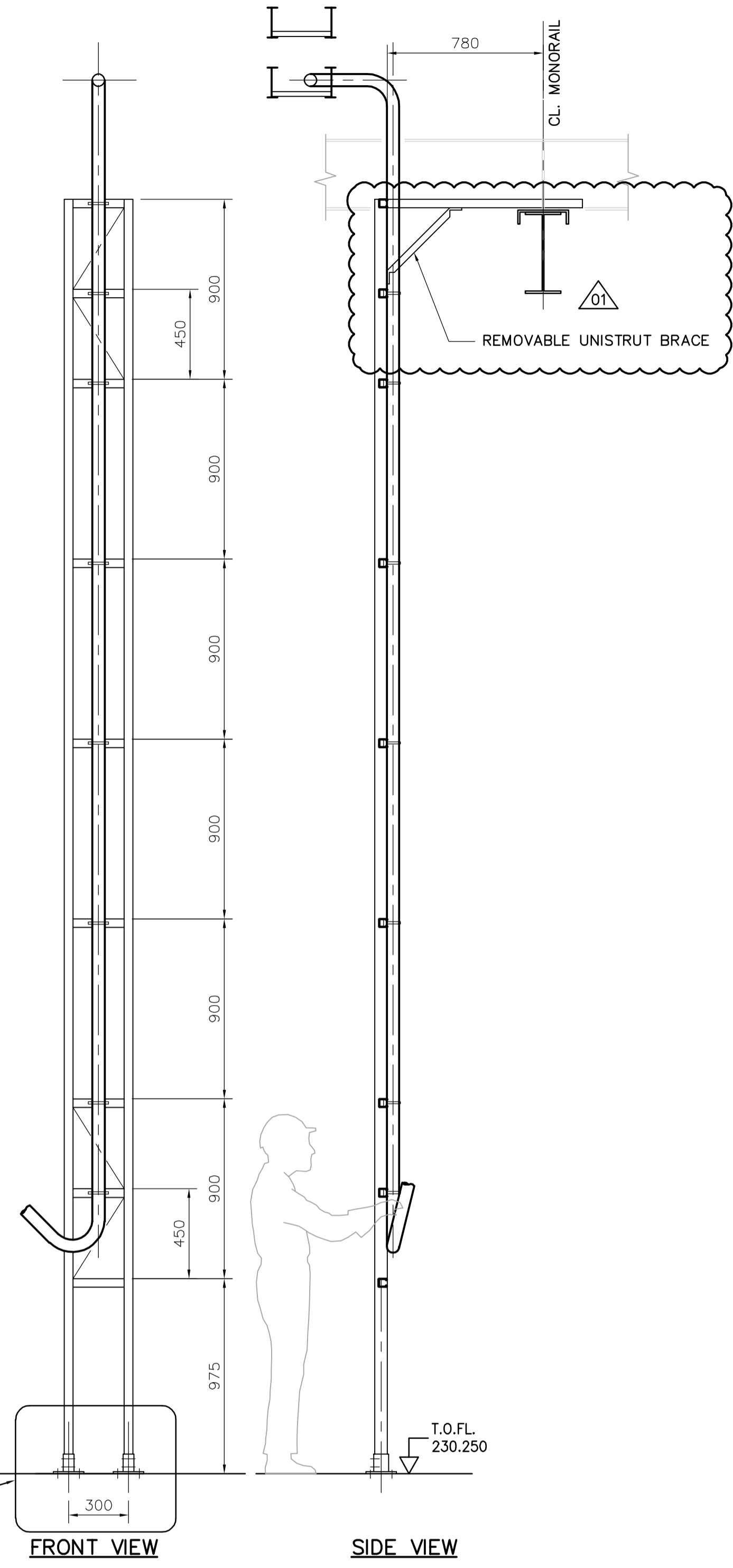


**1 DETAIL**  
NTS



**2 DETAIL**  
NTS

SEE PLAN DET.  
**2**



**FRONT VIEW**

**SIDE VIEW**

**3 DETAIL**  
NTS

T.O.F.L.  
230.250

 Certificate of Authorization CH2M HILL Canada Ltd. No. 1441 Expiry: April 30, 2007	B.M. ELEV.	 Frederickson Cooper ARCHITECTS DESIGNED BY LL DRAWN BY PM SCALE: AS SHOWN DATE 2006/03/02	 A Tetra International Ltd. Company CHECKED BY ND APPROVED BY AHL RELEASED FOR CONSTRUCTION BY: R. SOROKOWSKI DATE 2006/03/29	ENGINEER'S SEAL	 THE CITY OF WINNIPEG WATER AND WASTE DEPARTMENT ENGINEERING DIVISION WATER TREATMENT PLANT MAIN BUILDING MECHANICAL AND ELECTRICAL ELECTRICAL DETAILS	CITY FILE NUMBER	
				DESIGNED BY LL		ORIGINAL SIGNED BY L.D. LLEWELLYN	SHEET OF
				APPROVED BY AHL		DATE 2006/03/29	CITY DRAWING NUMBER
				DATE 2006/03/02		DATE 2006/03/29	1-0601B-A-E0405-001-01D