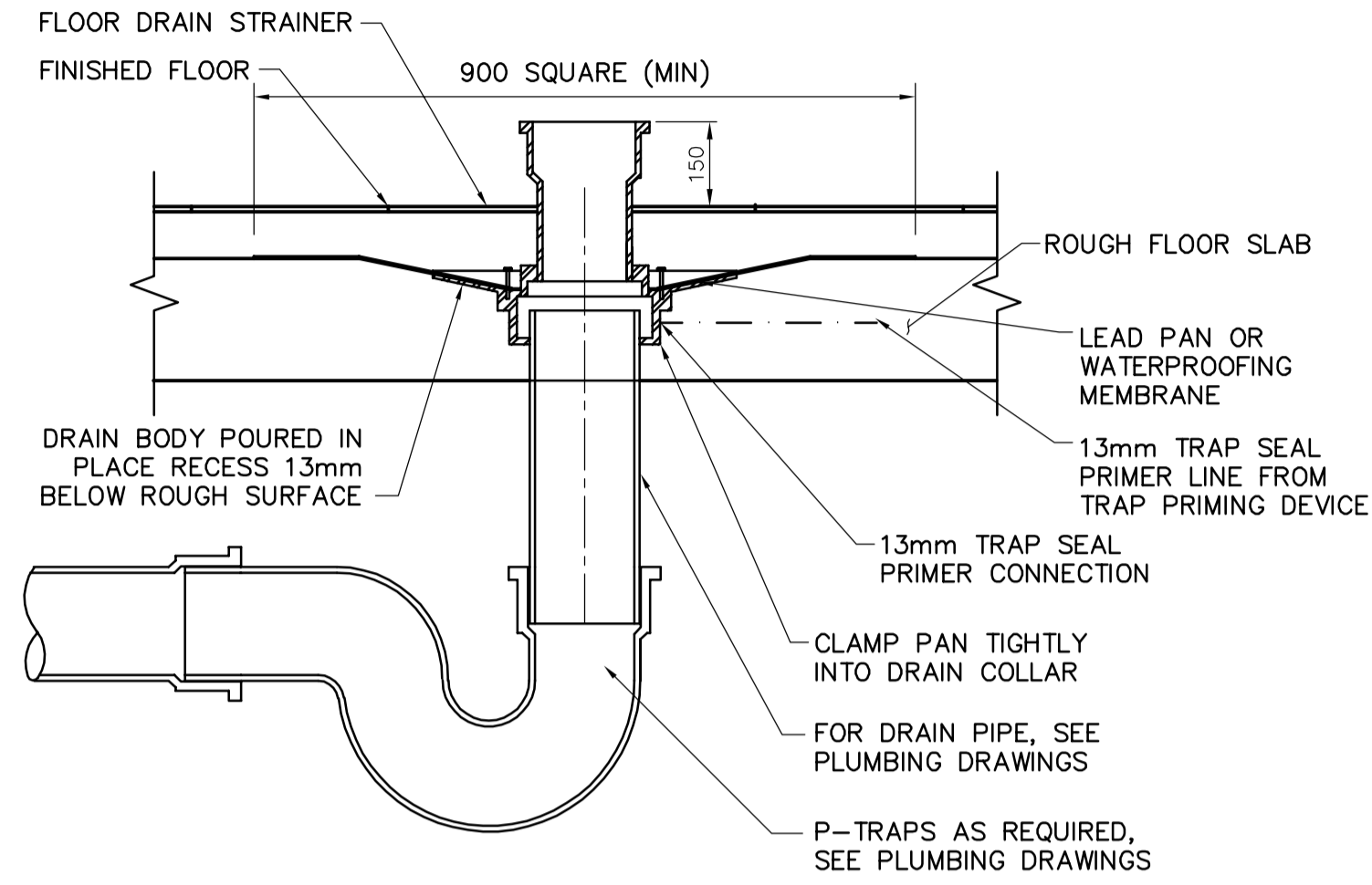
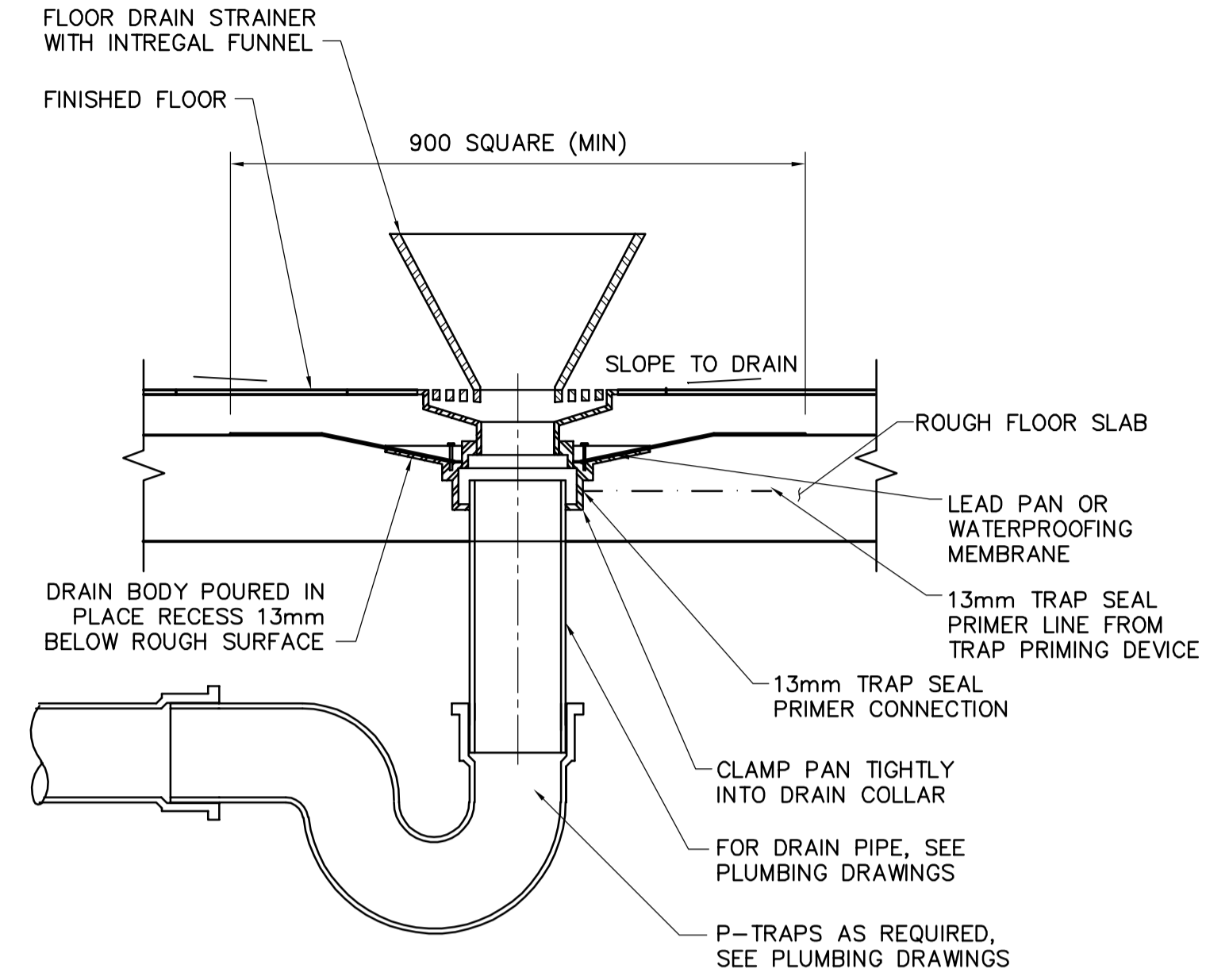


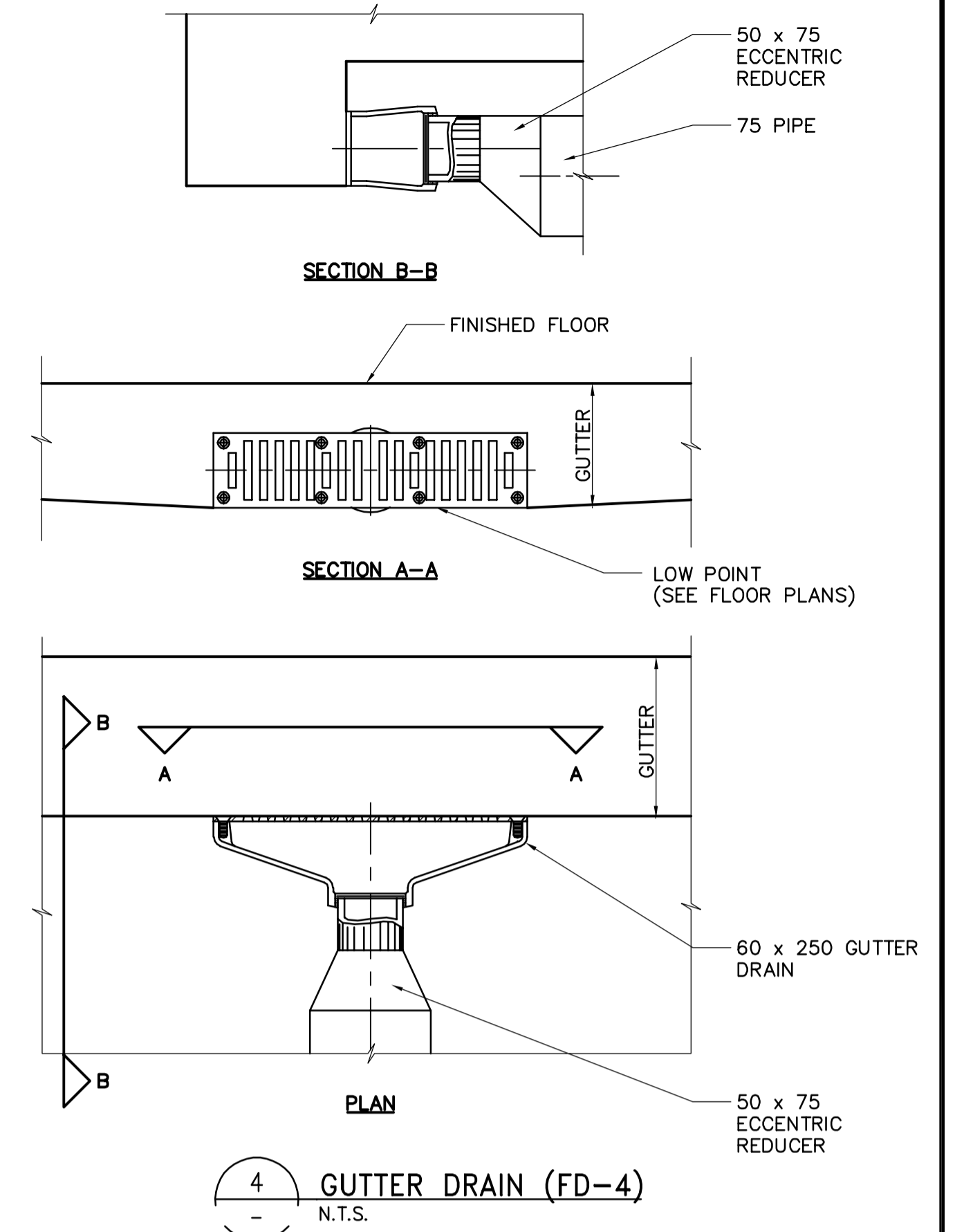
1 FLOOR DRAIN (FD-1) AND (FD-8)
- N.T.S.



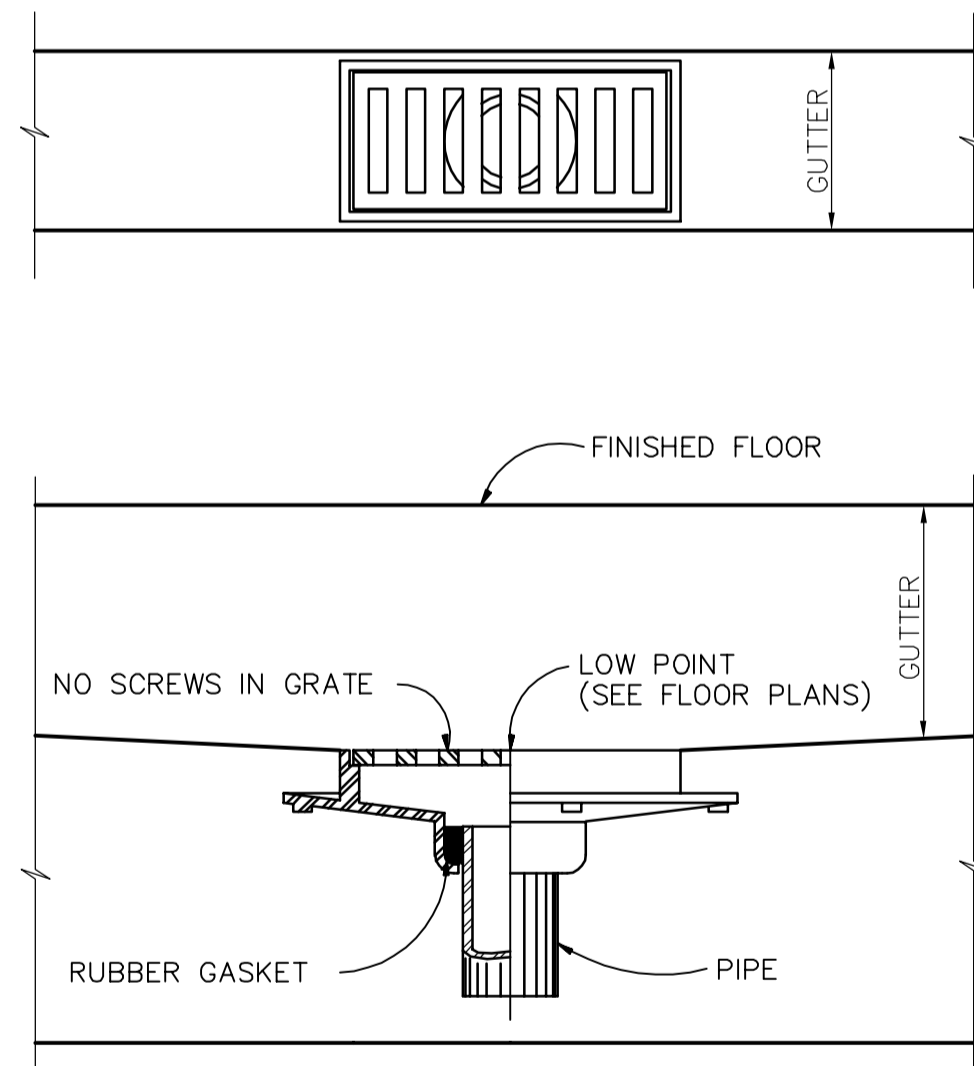
2 HUB DRAIN (FD-2)
- N.T.S.



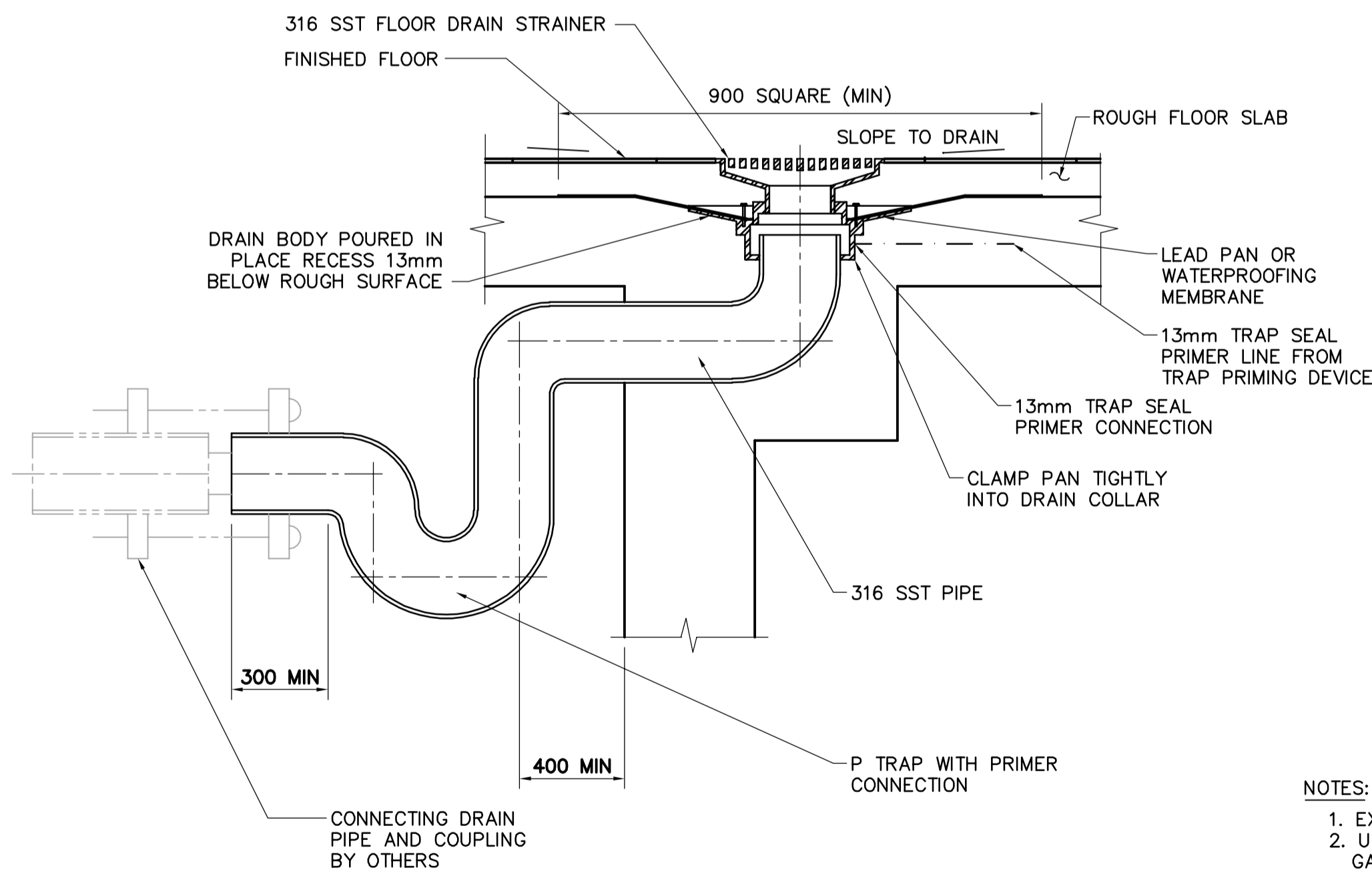
3 FLOOR DRAIN W/ FUNNEL (FD-3)
- N.T.S.



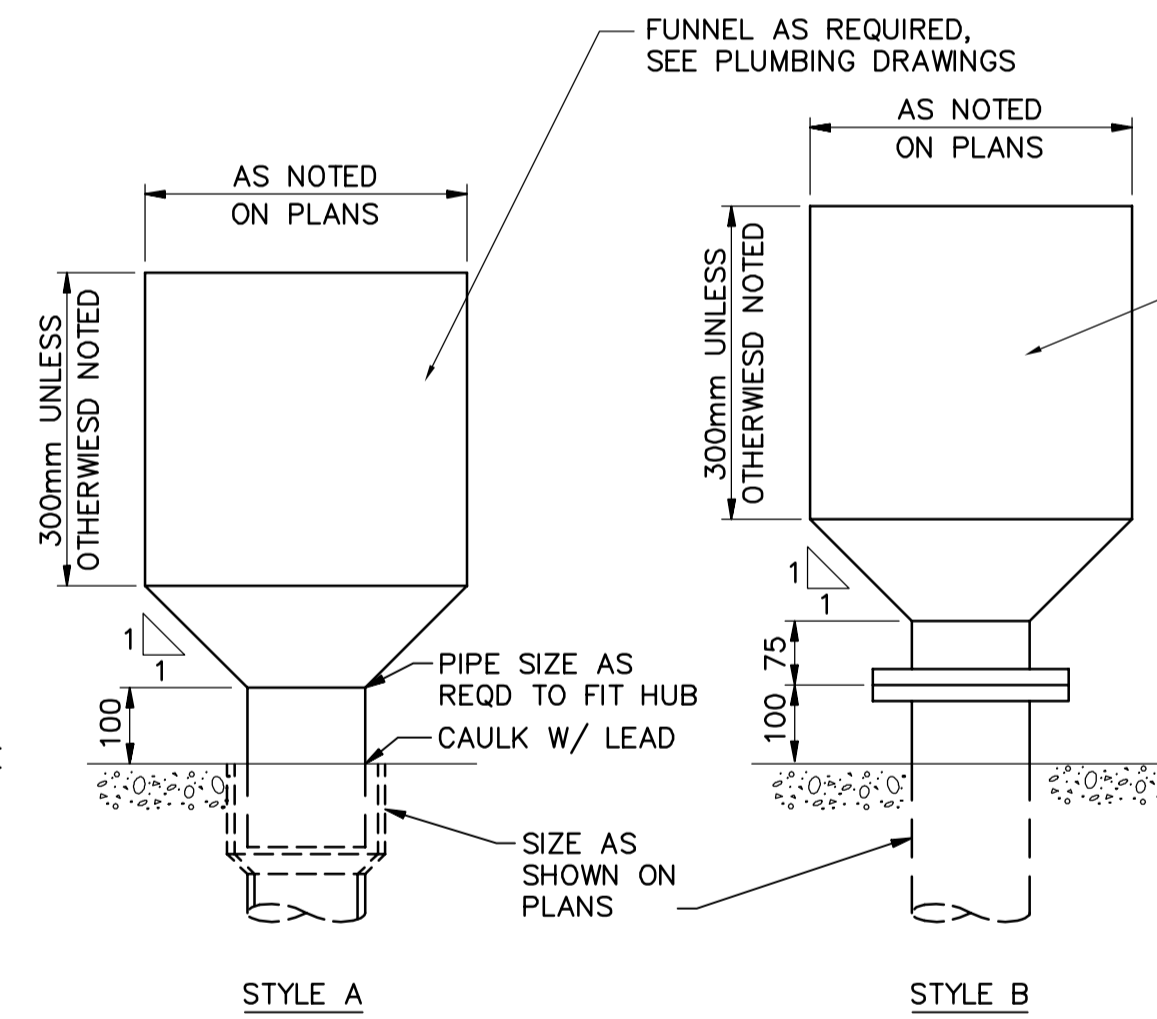
4 GUTTER DRAIN (FD-4)
- N.T.S.



5 GUTTER DRAIN (FD-5)
- N.T.S.

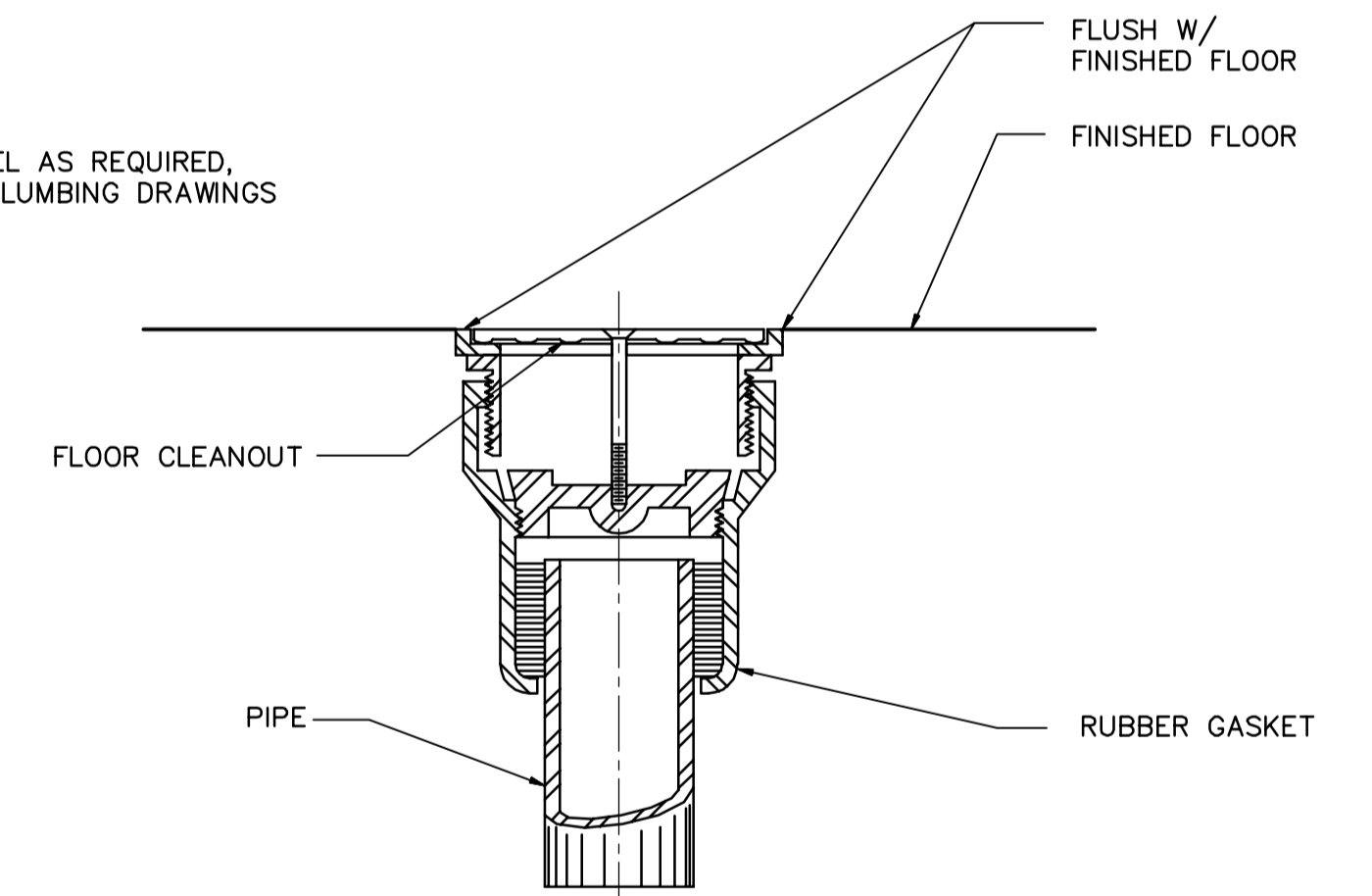


6 OZONE ROOM FLOOR DRAIN (FD-6)
- N.T.S.



NOTES:
1. EXTEND DRAINAGE PIPES INTO FUNNEL UNLESS OTHERWISE NOTED.
2. UNLESS SHOWN OTHERWISE, FABRICATE FUNNEL FROM SCHEDULE 10 STEEL PIPE. HOT DIP GALVANIZE AFTER FABRICATION.

7 FUNNEL DRAIN (FD-7)
- N.T.S.



8 FLOOR CLEANOUT (CO)
- N.T.S.

<p>APEGN Certificate of Authorization CH2M HILL Canada Ltd. No. 1441 Expiry: April 30, 2007</p>	B.M. ELEV.	<p>Frederickson Cooper ARCHITECTS</p>	<p>EarthTech A Yoo International Ltd. Company</p>	ENGINEER'S SEAL	<p>THE CITY OF WINNIPEG WATER AND WASTE DEPARTMENT ENGINEERING DIVISION</p>	
				DESIGNED BY JZ/SW		CHECKED BY DL
		DRAWN BY JMcP	APPROVED BY DJT	2006/02/06		WATER TREATMENT PLANT MAIN BUILDING MECHANICAL AND ELECTRICAL
		SCALE: NTS	RELEASED FOR CONSTRUCTION BY: R. SOROKOWSKI	CONSULTANT DRAWING NO. WB-H9451		CITY FILE NUMBER SHEET OF CITY DRAWING NUMBER 1-0601B-A-H9451-001-01D
	NO. REVISIONS	DATE BY	DATE 2005/08/02	DATE 2006/02/08	PLUMBING STANDARD DETAILS	