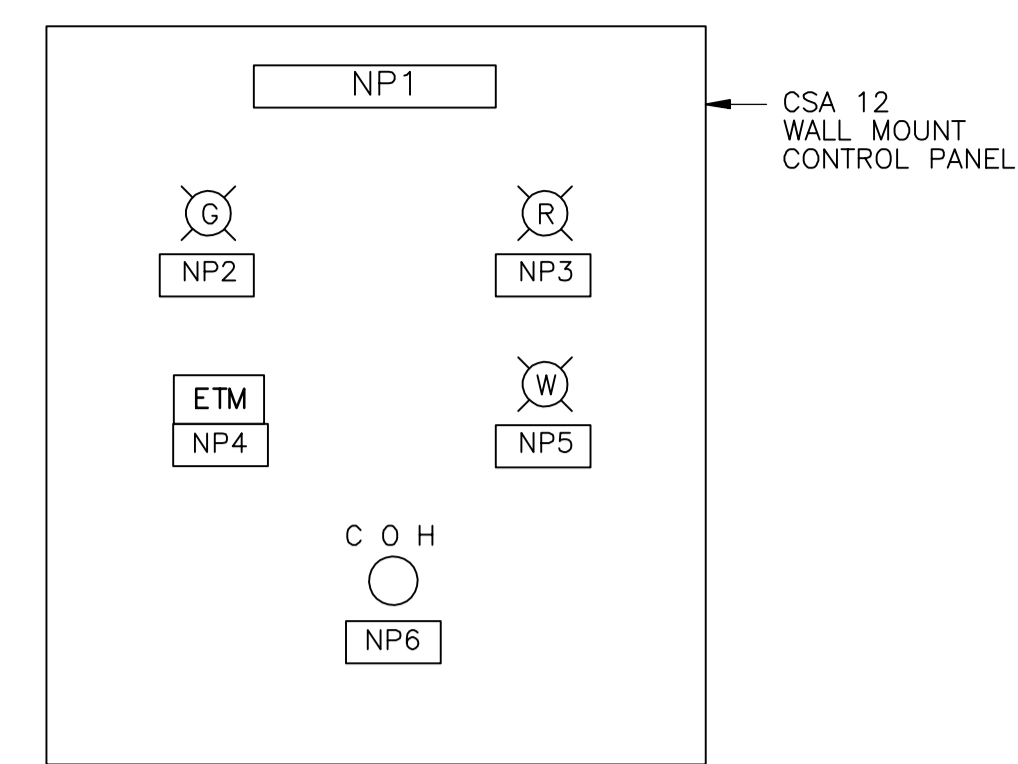
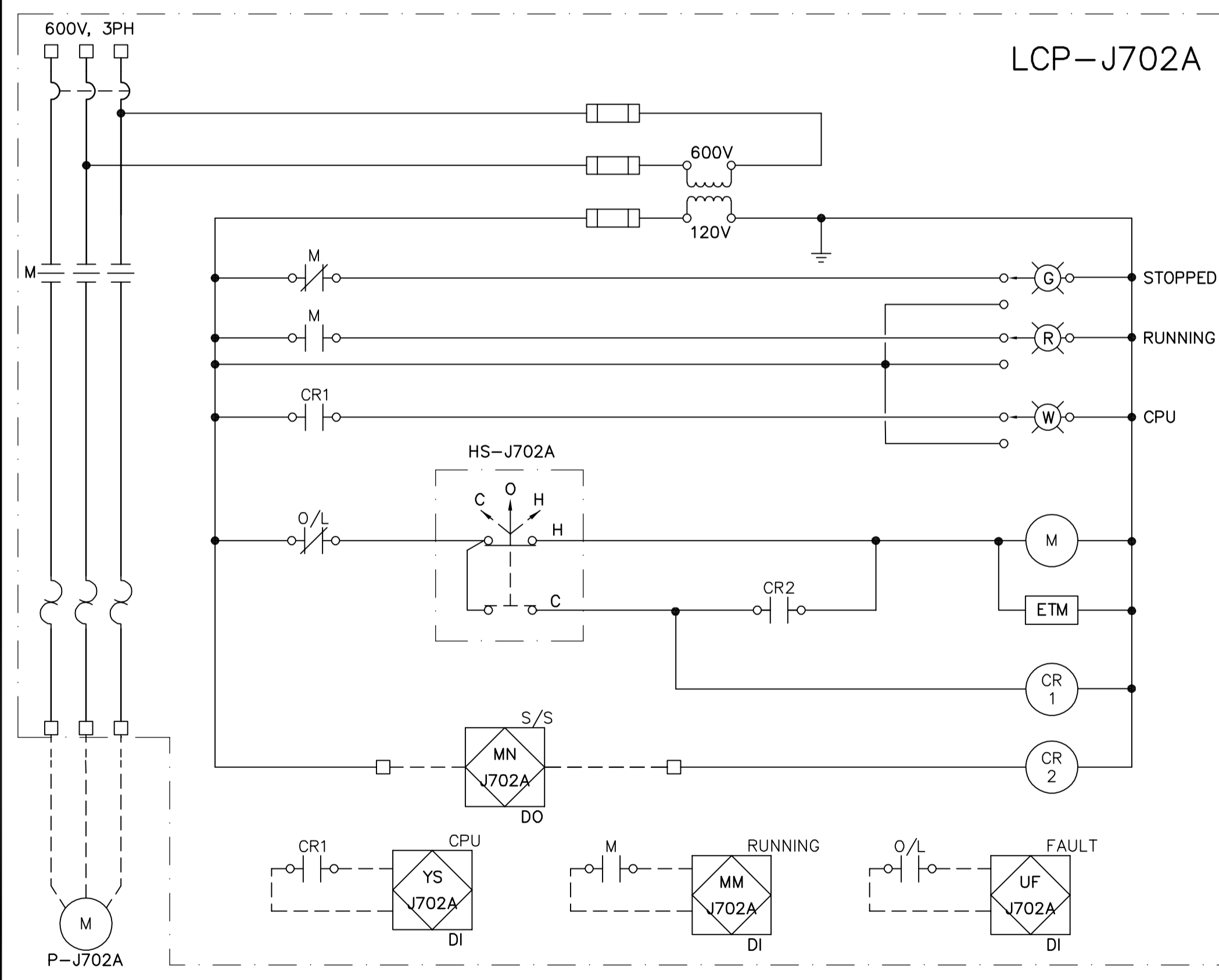


NOZZLE WATER WATER PUMP #1 (P-J701A)

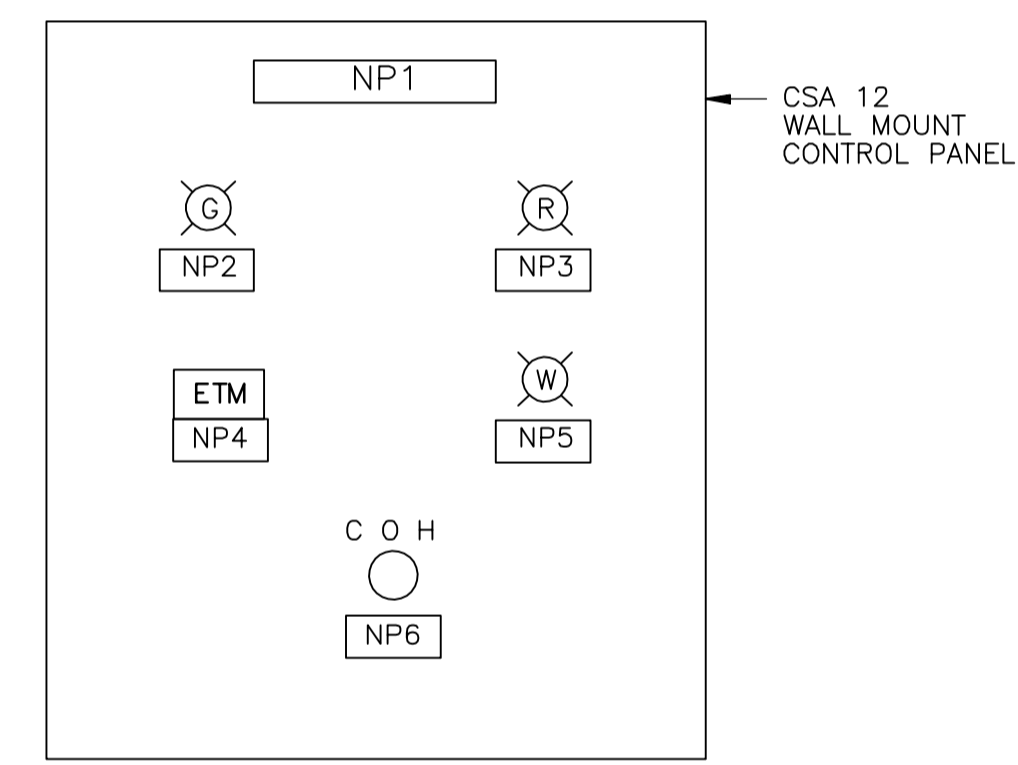


NAMEPLATES

- NP1 - NOZZLE WATER PUMP 1 CONTROL PANEL LCP-J701A
- NP2 - STOPPED
- NP3 - RUNNING
- NP4 - RUN TIME
- NP5 - CPU
- NP6 - HS-J701A

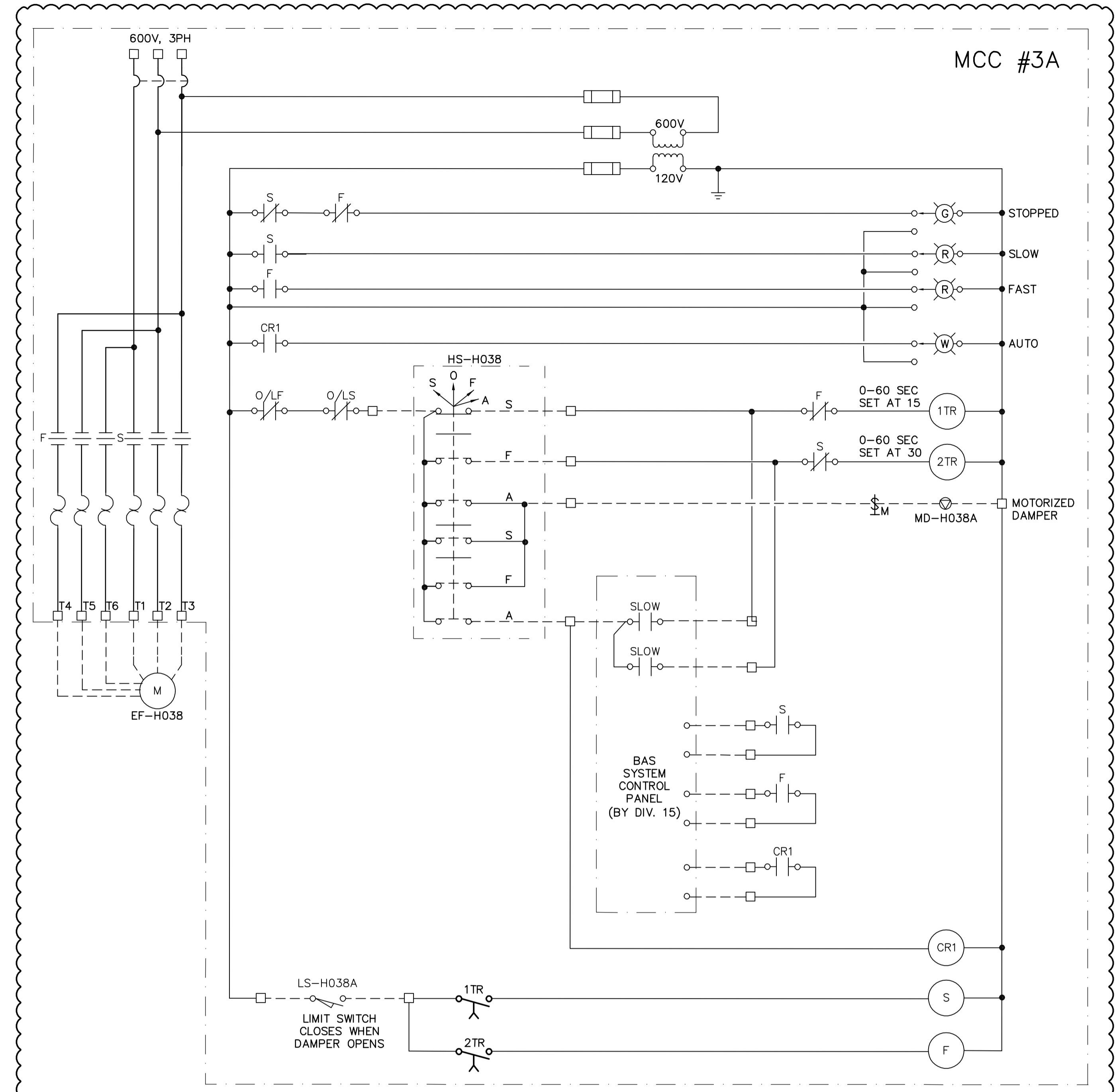


NOZZLE WATER WATER PUMP #1 (P-J702A)



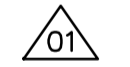
NAMEPLATES

- NP1 - NOZZLE WATER PUMP 1 CONTROL PANEL LCP-J702A
- NP2 - STOPPED
- NP3 - RUNNING
- NP4 - RUN TIME
- NP5 - CPU
- NP6 - HS-J702A



EXHAUST FAN EF-H038

NOTES:  
1. STARTER IN MCC, H O A SWITCH AND ALL FIELD WIRING BY DIVISION 16 EXCEPT WIRING TO BAS SYSTEM BY DIVISION 15.



NO.	REVISIONS	DATE	BY
01	742-2005 ADDENDUM 3	06/05/05	LL
00	ISSUED FOR TENDER	06/03/29	LL

 Frederickson Cooper ARCHITECTS		 A Yeo International Ltd. Company	
DESIGNED BY	JT	CHECKED BY	ND
DRAWN BY	KJ	APPROVED BY	AHL
SCALE:	NTS	RELEASED FOR CONSTRUCTION BY:	R. SOROKOWSKI
DATE	2005/11/08	DATE	2006/03/29

ENGINEER'S SEAL  
ORIGINAL SIGNED BY  
L.D. LLEWELLYN  
2006/03/29  
CONSULTANT DRAWING NO.  
WB-E0552

**THE CITY OF WINNIPEG**  
 WATER AND WASTE DEPARTMENT  
 ENGINEERING DIVISION

WATER TREATMENT PLANT  
 MAIN BUILDING  
 MECHANICAL AND ELECTRICAL

ELECTRICAL  
 CONTROL DIAGRAM

CITY FILE NUMBER  
 SHEET OF  
 CITY DRAWING NUMBER  
 1-0601B-H-E0552-001-01D