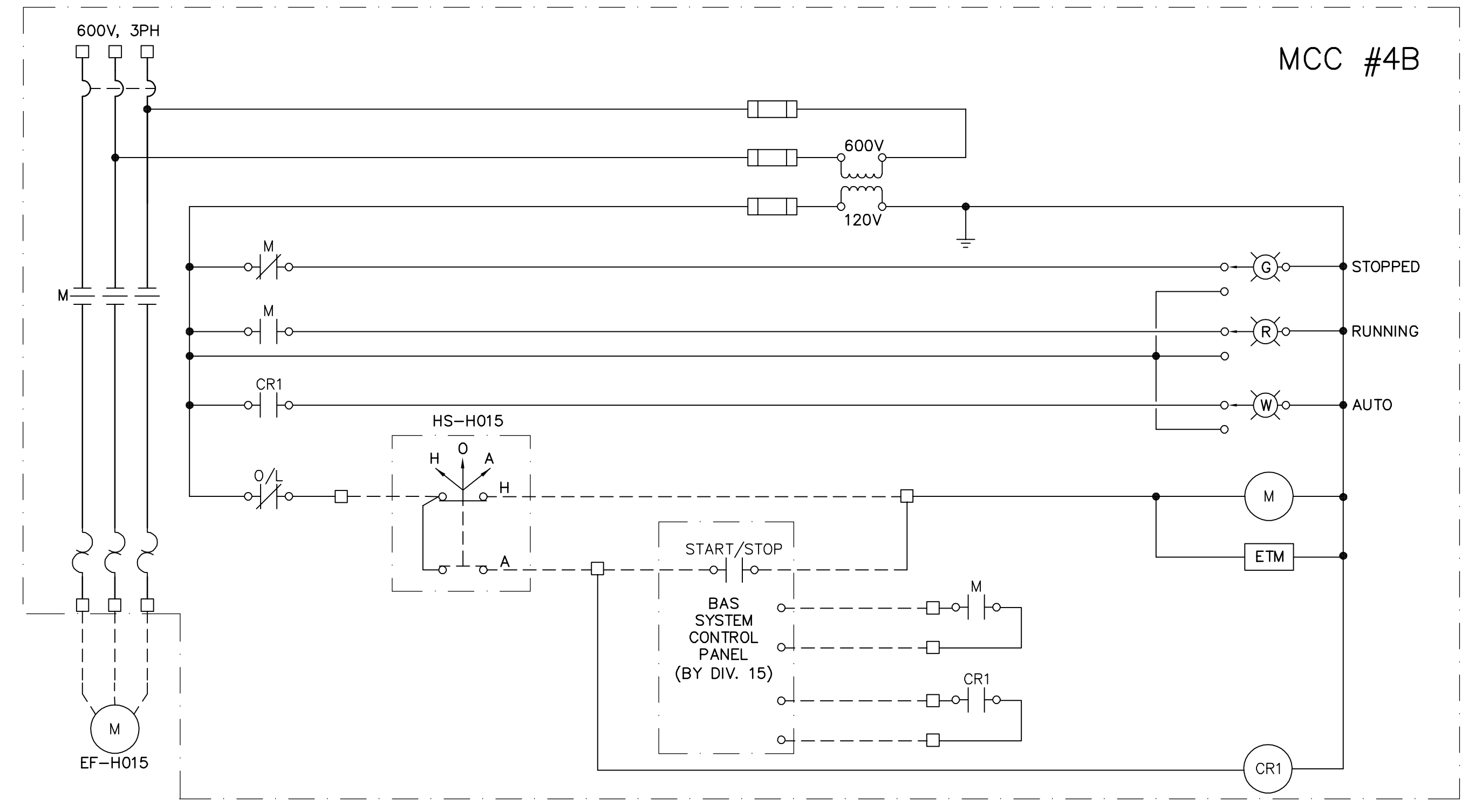


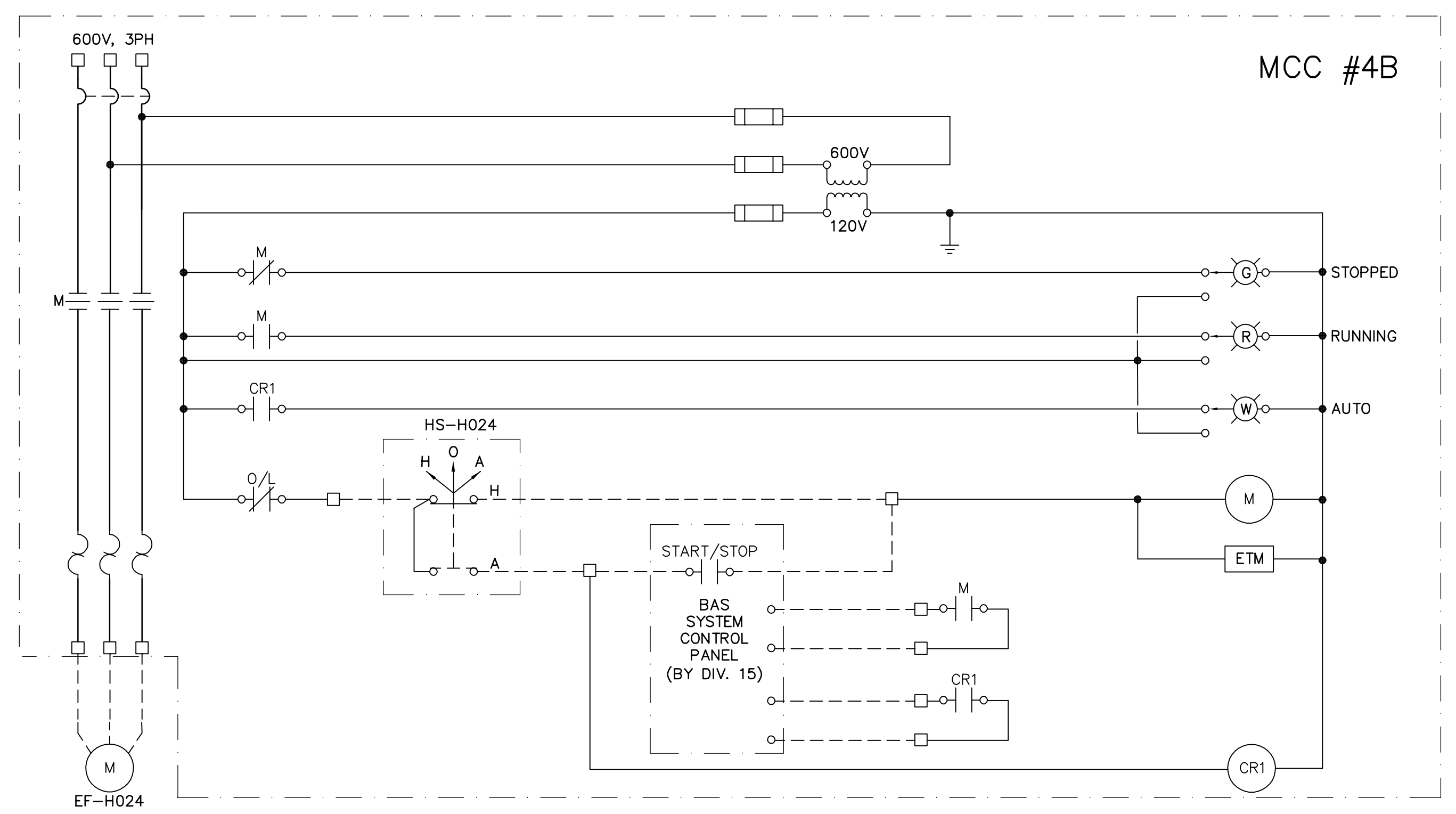
NOTES:  
1. STARTER IN MCC, H O A SWITCH AND ALL FIELD WIRING BY DIVISION 16 EXCEPT WIRING TO BAS SYSTEM BY DIVISION 15.

**EXHAUST FAN EF-H023**



NOTES:  
1. STARTER IN MCC, H O A SWITCH AND ALL FIELD WIRING BY DIVISION 16 EXCEPT WIRING TO BAS SYSTEM BY DIVISION 15.

**EXHAUST FAN EF-H015**



NOTES:  
1. STARTER IN MCC, H O A SWITCH AND ALL FIELD WIRING BY DIVISION 16 EXCEPT WIRING TO BAS SYSTEM BY DIVISION 15.

**EXHAUST FAN EF-H024**

 <b>APECA</b> Certificate of Authorization CH2M HILL Canada Ltd. No. 1441 Expiry: April 30, 2007	B.M. ELEV.	 Frederickson Cooper ARCHITECTS	 A Terra International Ltd. Company	ENGINEER'S SEAL  ORIGINAL SIGNED BY L.D. LLEWELLYN 2006/03/29	 <b>THE CITY OF WINNIPEG</b> WATER AND WASTE DEPARTMENT ENGINEERING DIVISION
	DESIGNED BY JT CHECKED BY ND	WATER TREATMENT PLANT MAIN BUILDING MECHANICAL AND ELECTRICAL		CONSULTANT DRAWING NO. WB-E0566	CITY FILE NUMBER SHEET OF
	DRAWN BY KJ APPROVED BY AHL	ELECTRICAL CONTROL DIAGRAM		CITY DRAWING NUMBER 1-0601B-H-E0566-001-01D	
	SCALE: NTS RELEASED FOR CONSTRUCTION BY: R. SOROKOWSKI	DATE 2005/11/08 DATE 2006/03/29			