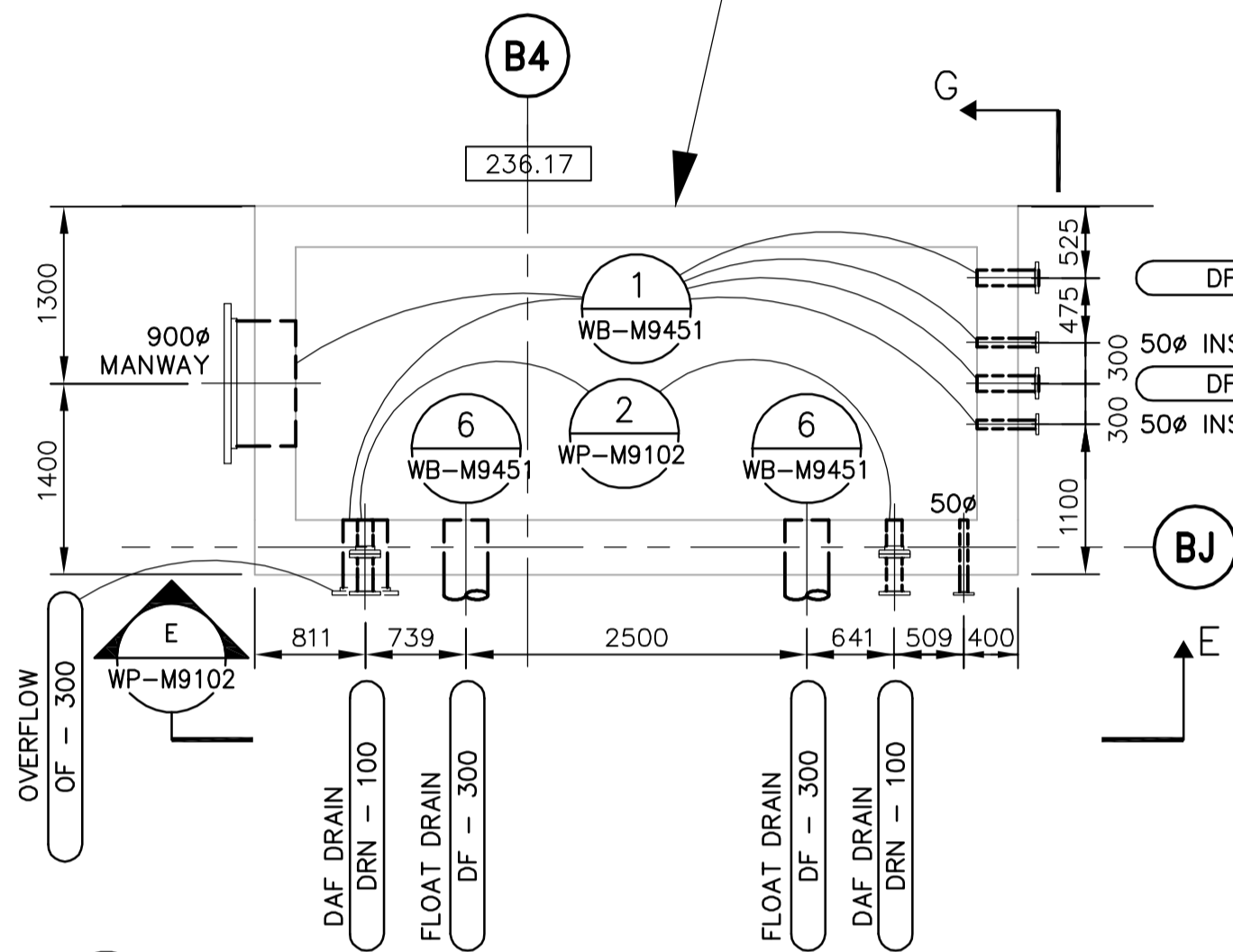
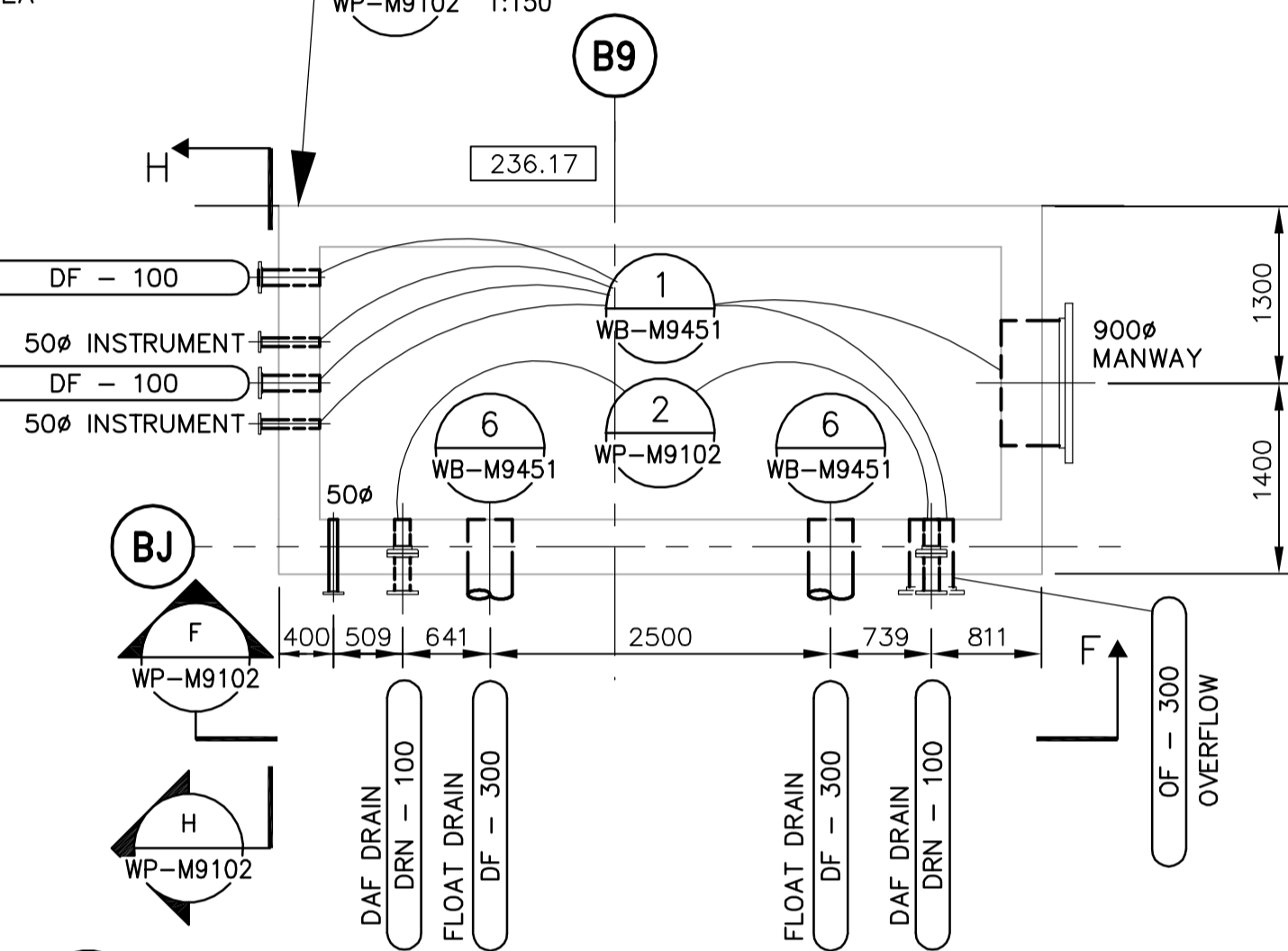


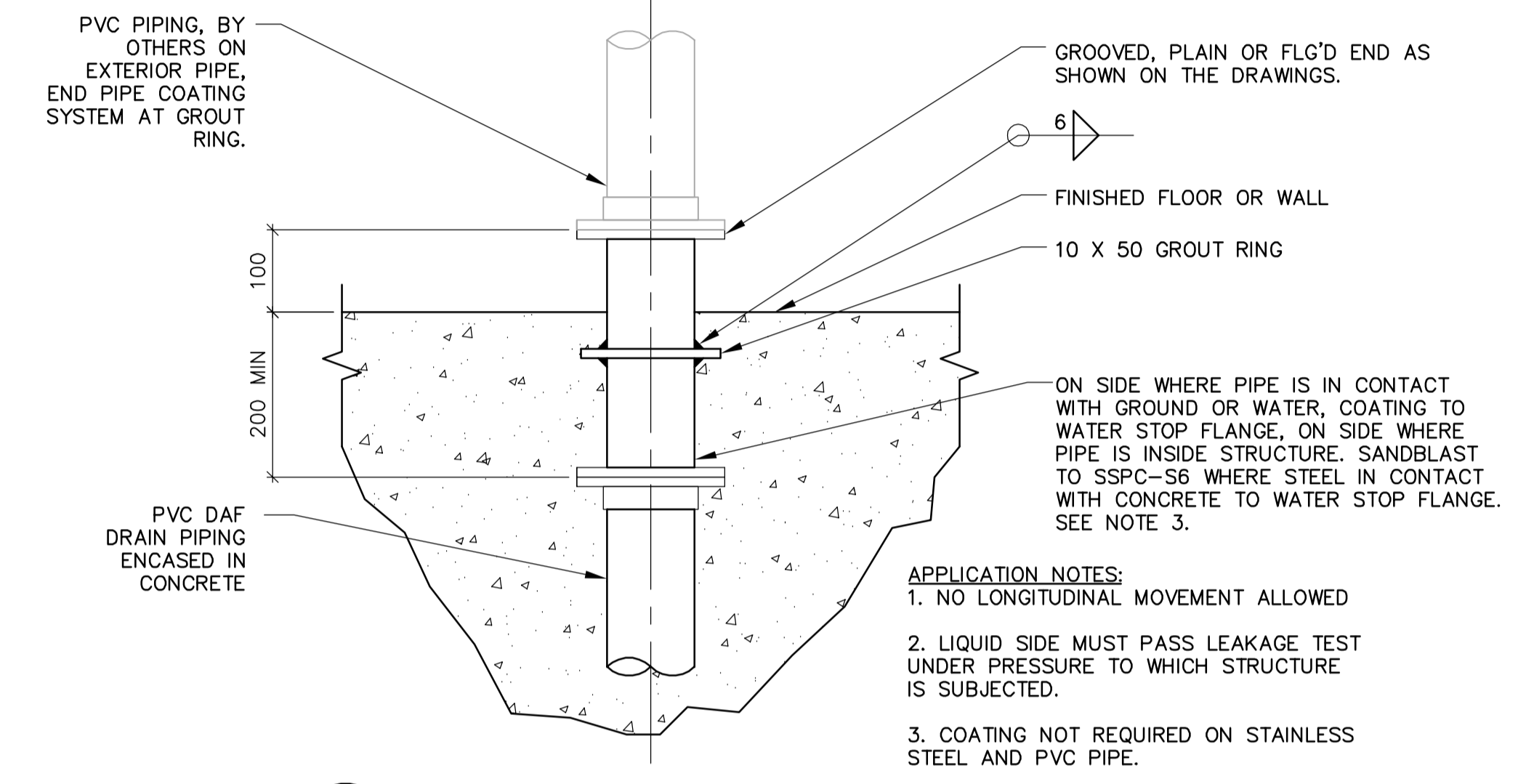
16 FIRST FLOOR PLAN - FLOAT COLLECTION SUMPS
WP-M9102 1:150



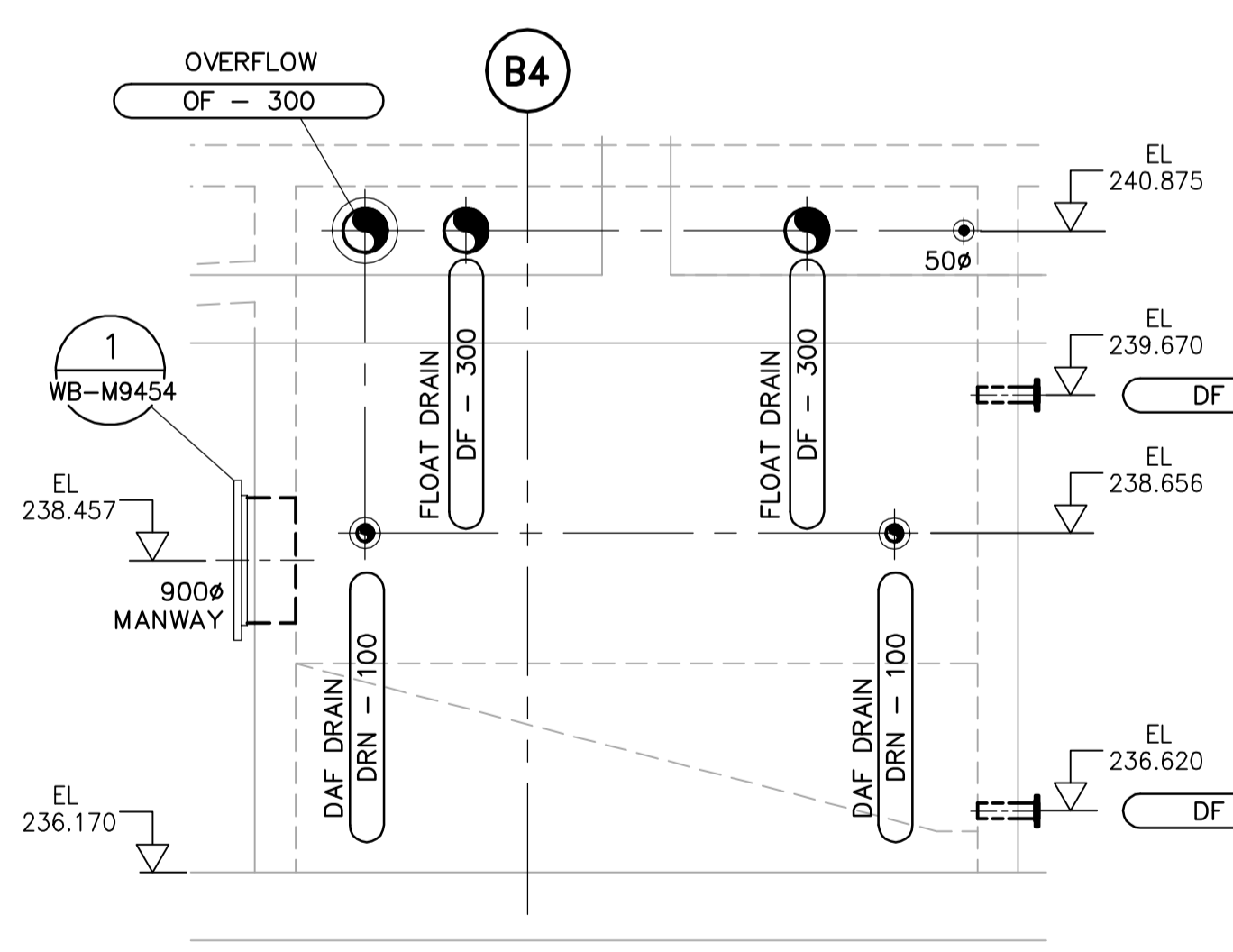
DETAILED PLAN - FLOAT COLLECTION SUMP 1
WP-M9102 1:50



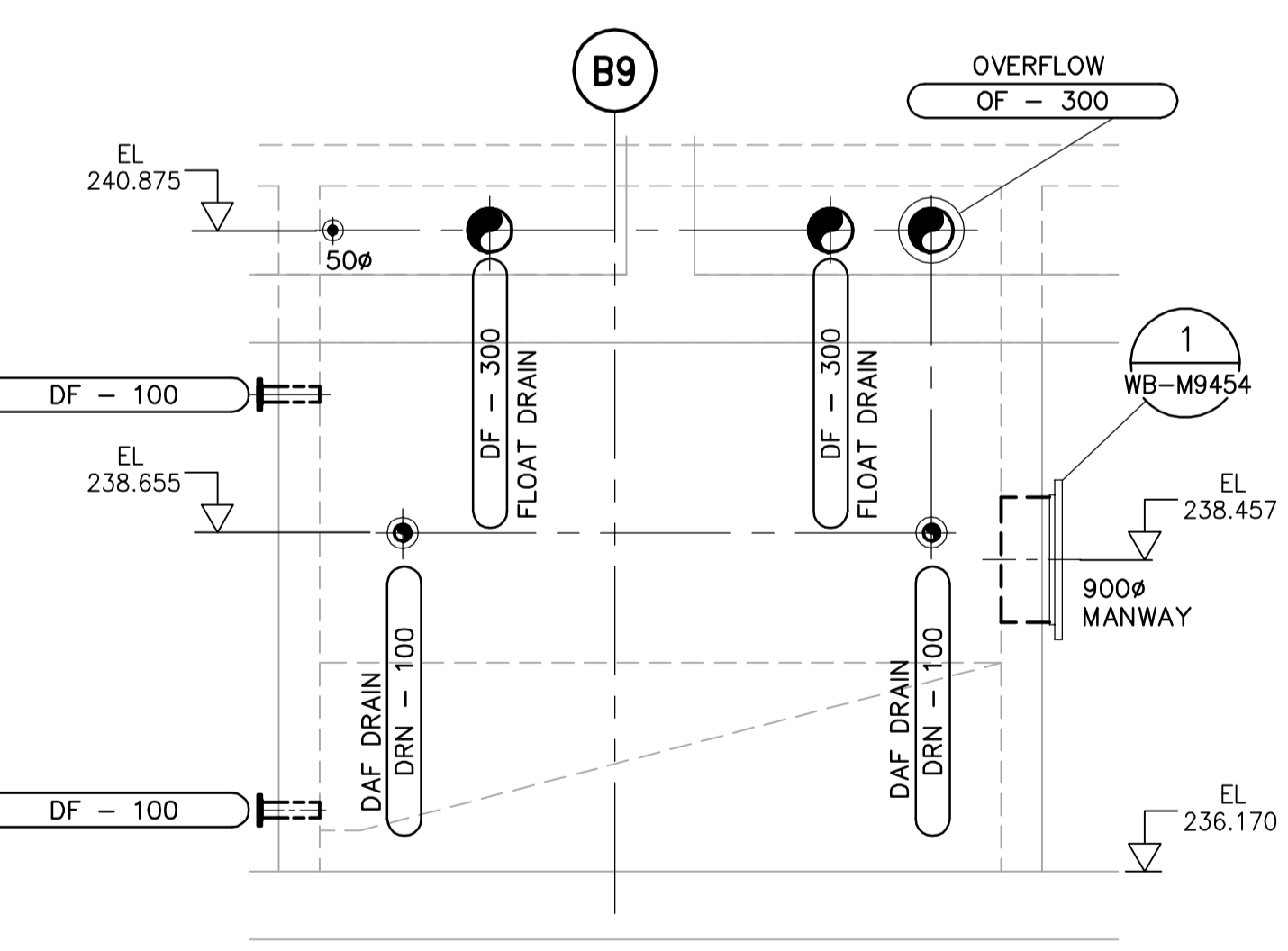
DETAILED PLAN - FLOAT COLLECTION SUMPS 2, 3, 4
WP-M9102 1:50



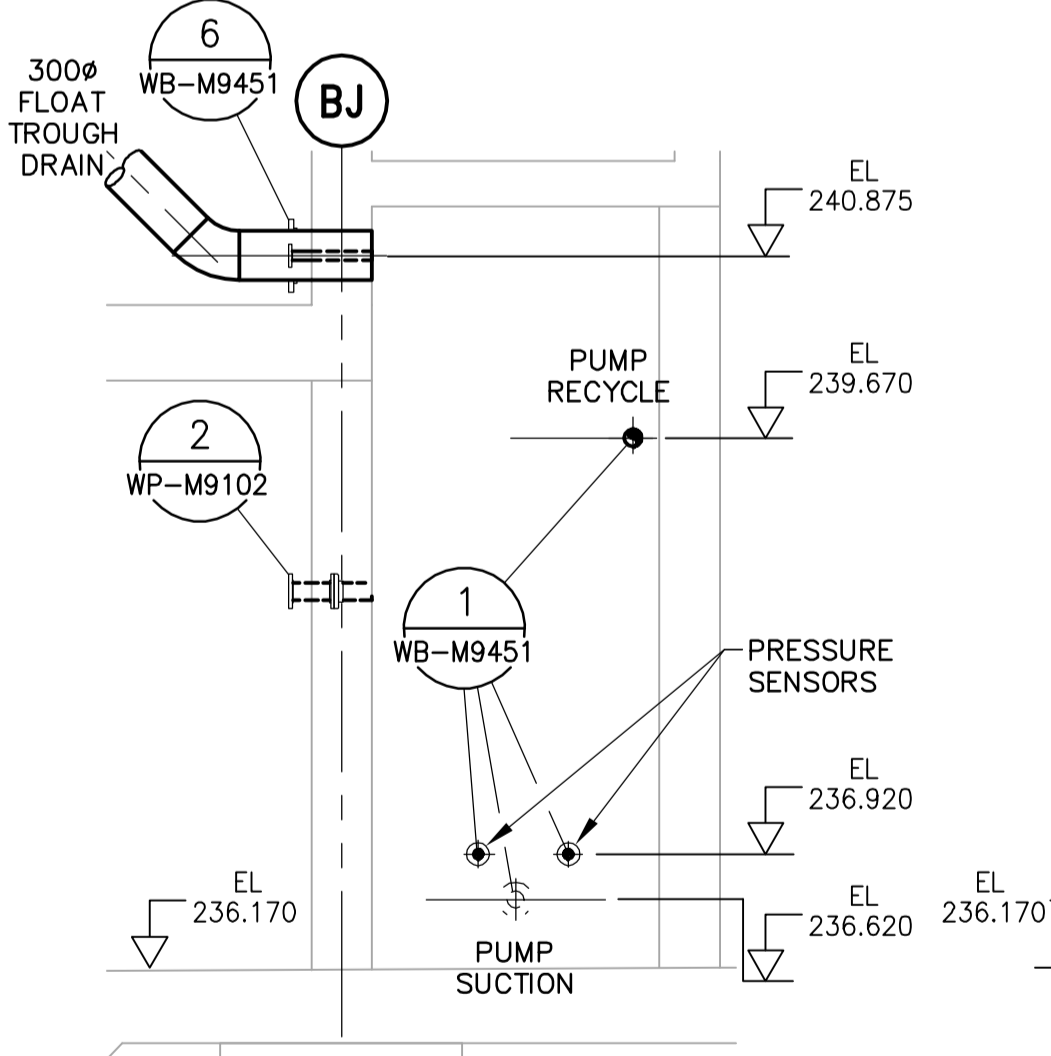
2 DETAIL - DAF DRAIN FLOOR/WALL PENETRATION
NTS



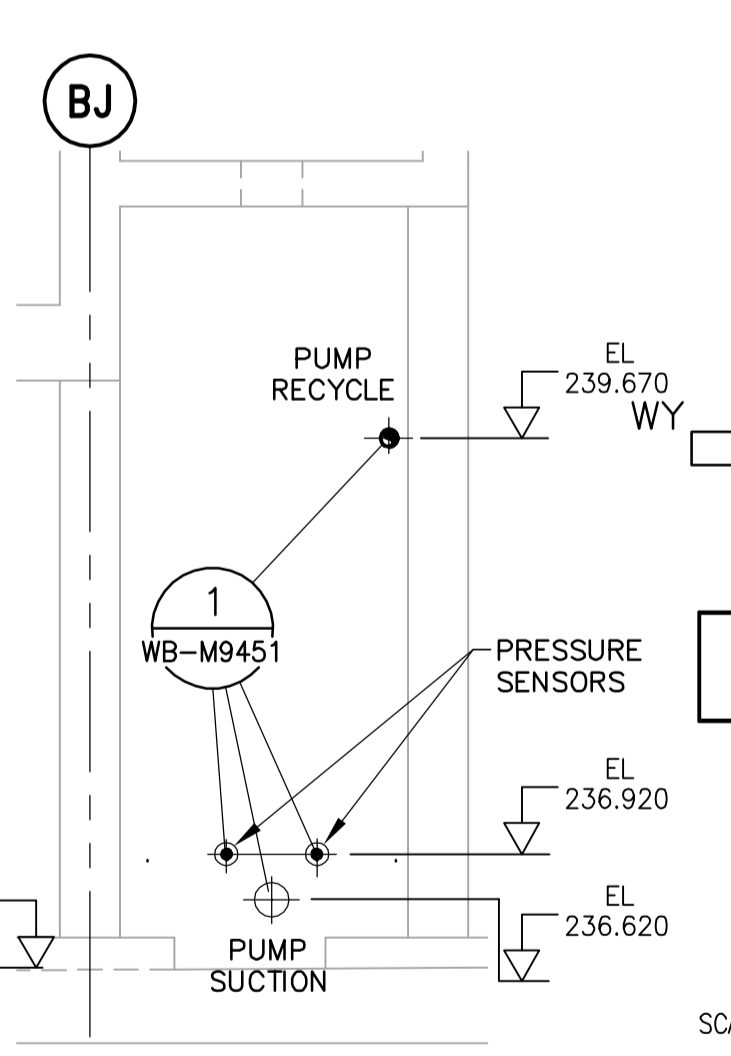
E SECTION - FLOAT COLLECTION SUMP 1
WP-M9102 1:50



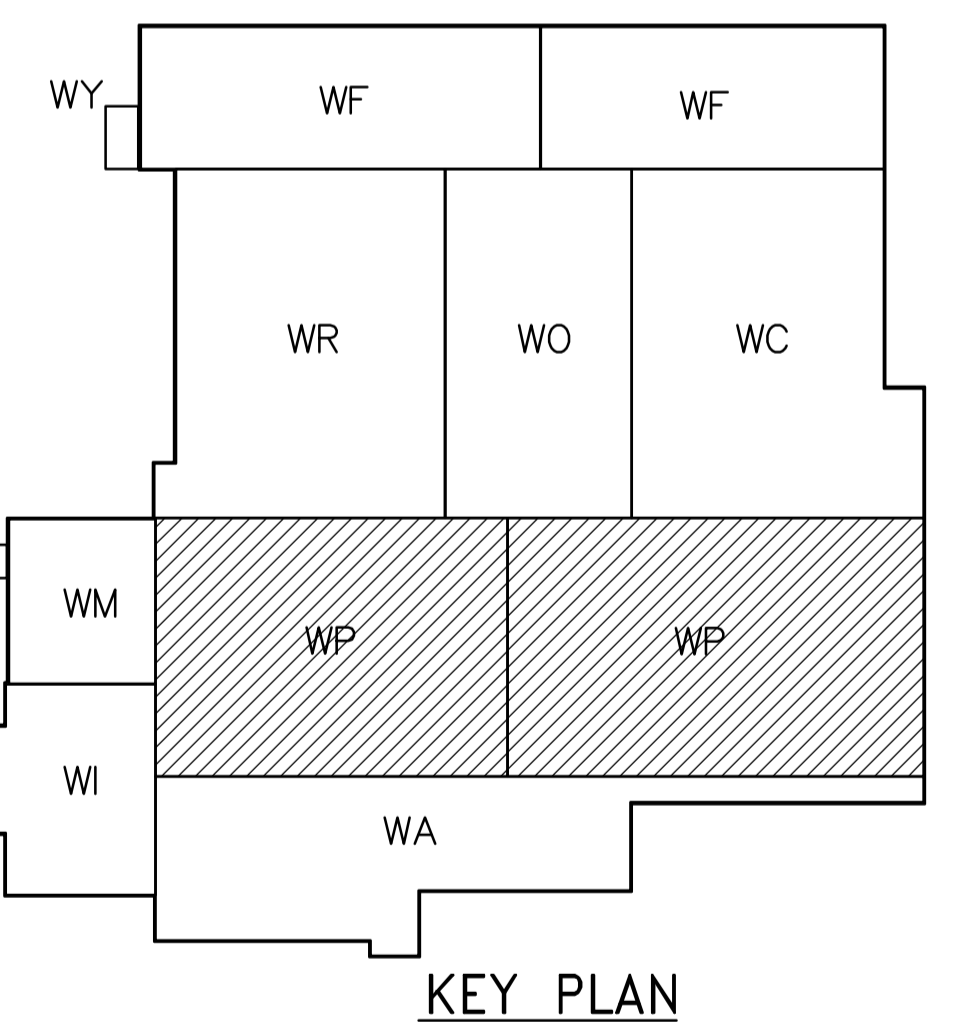
F SECTION - FLOAT COLLECTION SUMPS 2, 3, 4
WP-M9102 1:50



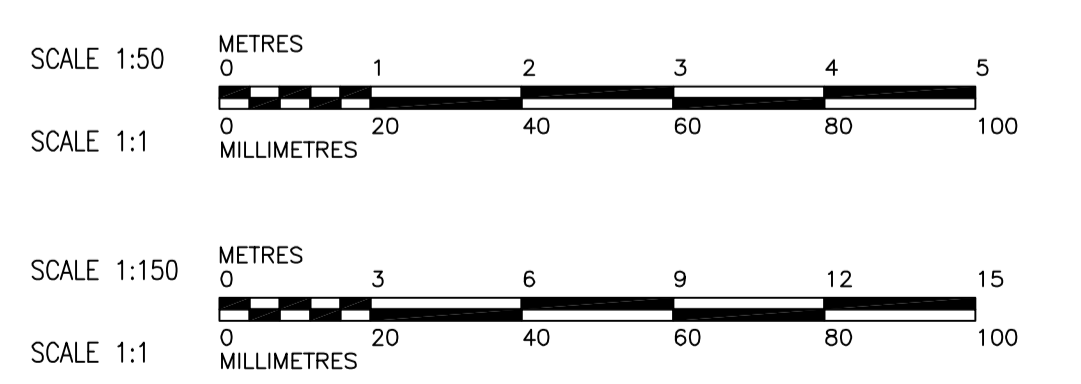
G SECTION
WP-M9102 1:50



H SECTION
WP-M9102 1:50



KEY PLAN



<p>Certificate of Authorization Earth Tech Canada Inc. No. 730 Expiry: April 30, 2007</p>			ENGINEER'S SEAL ORIGINAL SIGNED BY S.R. BILEVICIUS 2006/02/07 CONSULTANT DRAWING NO. WP-M9102	<p>THE CITY OF WINNIPEG WATER AND WASTE DEPARTMENT ENGINEERING DIVISION</p>
	DESIGNED BY: KAS DRAWN BY: PL SCALE: AS SHOWN	CHECKED BY: SRB APPROVED BY: DJT RELEASED FOR CONSTRUCTION BY: R. SOROKOWSKI DATE: 2006/02/07	WATER TREATMENT PLANT FLOCCULATION AND DAF FOUNDATIONS AND CONCRETE STRUCTURES PIPE EMBEDS FIRST FLOOR PLAN AND SECTIONS FLOAT COLLECTION SUMPS	CITY FILE NUMBER SHEET OF CITY DRAWING NUMBER 1-0601P-A-M9102-001-01D
	B.M. ELEV. 01 742-2005 ADDENDUM 3 06/05/05 LAE 00 ISSUED FOR TENDER 06/02/03 PL NO. REVISIONS DATE BY DATE 2005/10/21 DATE 2006/02/07			
	Last Save: 2006-05-02 4:45 PM by: edge, lee			