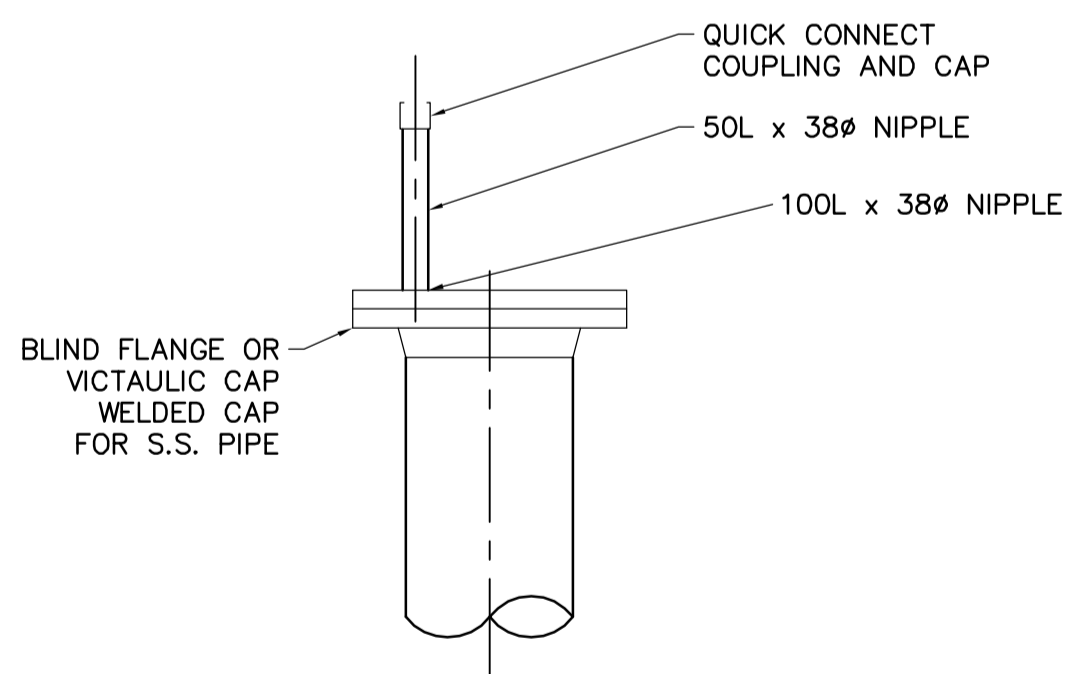
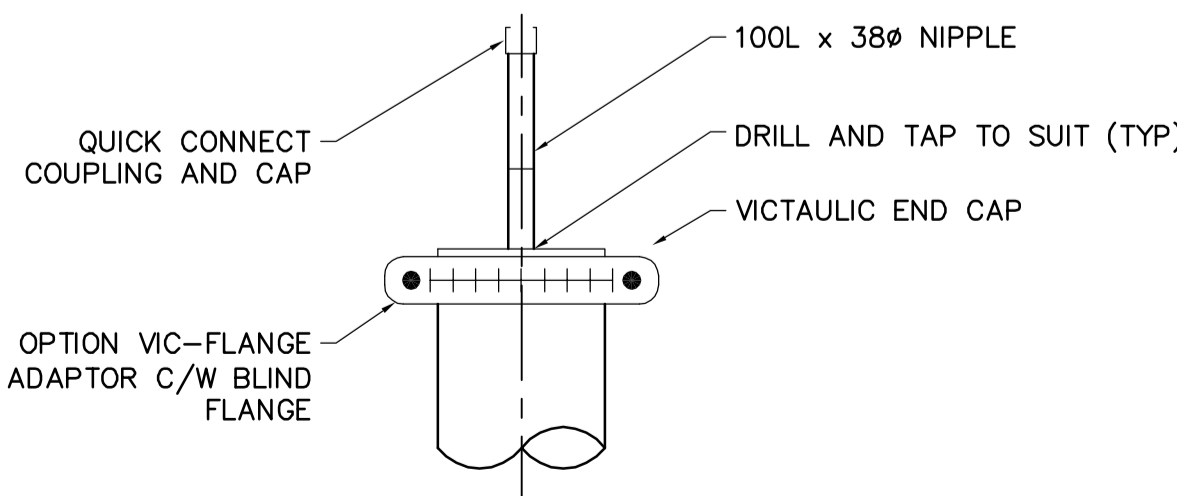


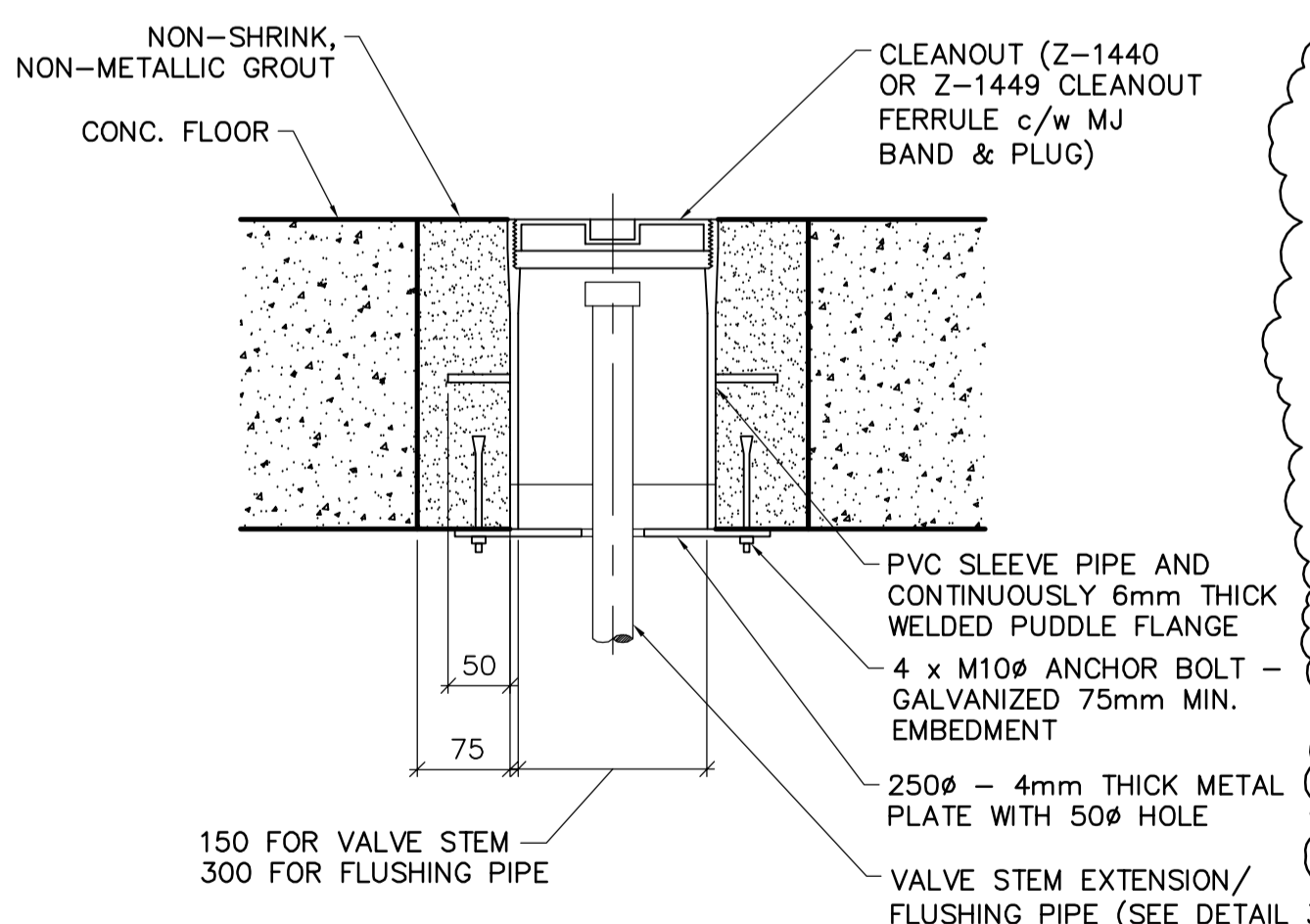
**A SECTION**  
WR-M0101 1:50



**FLUSHING CONNECTION "WELDED"**

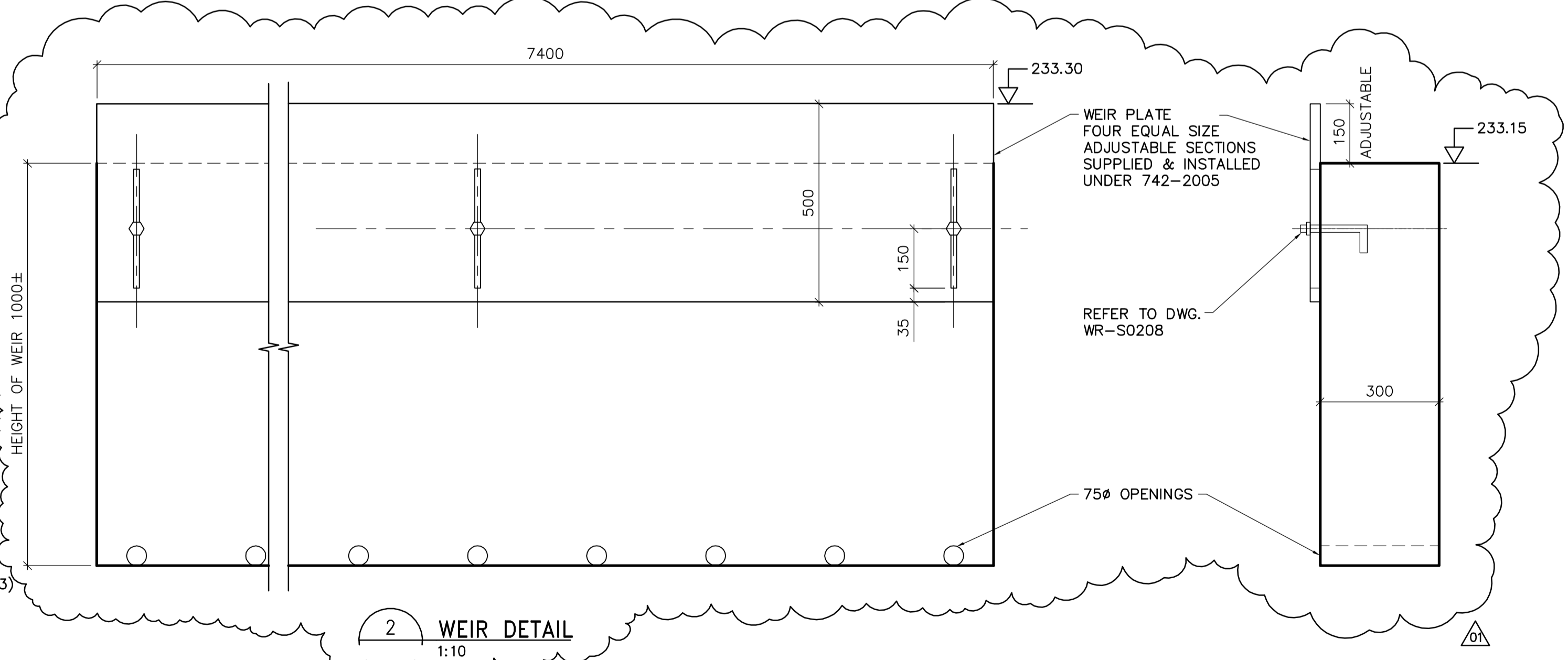


**3 FLUSHING CONNECTION**  
NTS



**1 SERVICE BOX DETAIL**  
NTS

NOTE  
VALVE STEM AND FLUSHING PIPE  
SUPPLIED BY OTHERS



**2 WEIR DETAIL**  
1:10

<p><b>Certificate of Authorization</b> Earth Tech Canada Inc. No. 730 Expiry: April 30, 2007</p>	B.M. ELEV.	<p>Frederickson Cooper ARCHITECTS</p>	<p>A Tech International Ltd. Company</p>	ENGINEER'S SEAL	<p><b>THE CITY OF WINNIPEG</b> WATER AND WASTE DEPARTMENT ENGINEERING DIVISION</p>	<p>WATER TREATMENT PLANT RESIDUALS HANDLING FOUNDATIONS AND CONCRETE STRUCTURES</p>	CITY FILE NUMBER
	DESIGNED BY: SM			CHECKED BY: SRB			ORIGINAL SIGNED BY: S.R. BILEVICIUS
	DRAWN BY: JBC	APPROVED BY: DJT	2006/02/07	CITY DRAWING NUMBER			
	SCALE: AS NOTED	RELEASED FOR CONSTRUCTION BY: R. SOROKOWSKI	CONSULTANT DRAWING NO. WR-M9201	1-0601R-A-M9201-001-02D			
NO. REVISIONS	DATE	BY	DATE	2005/09/60	DATE	2006/02/07	