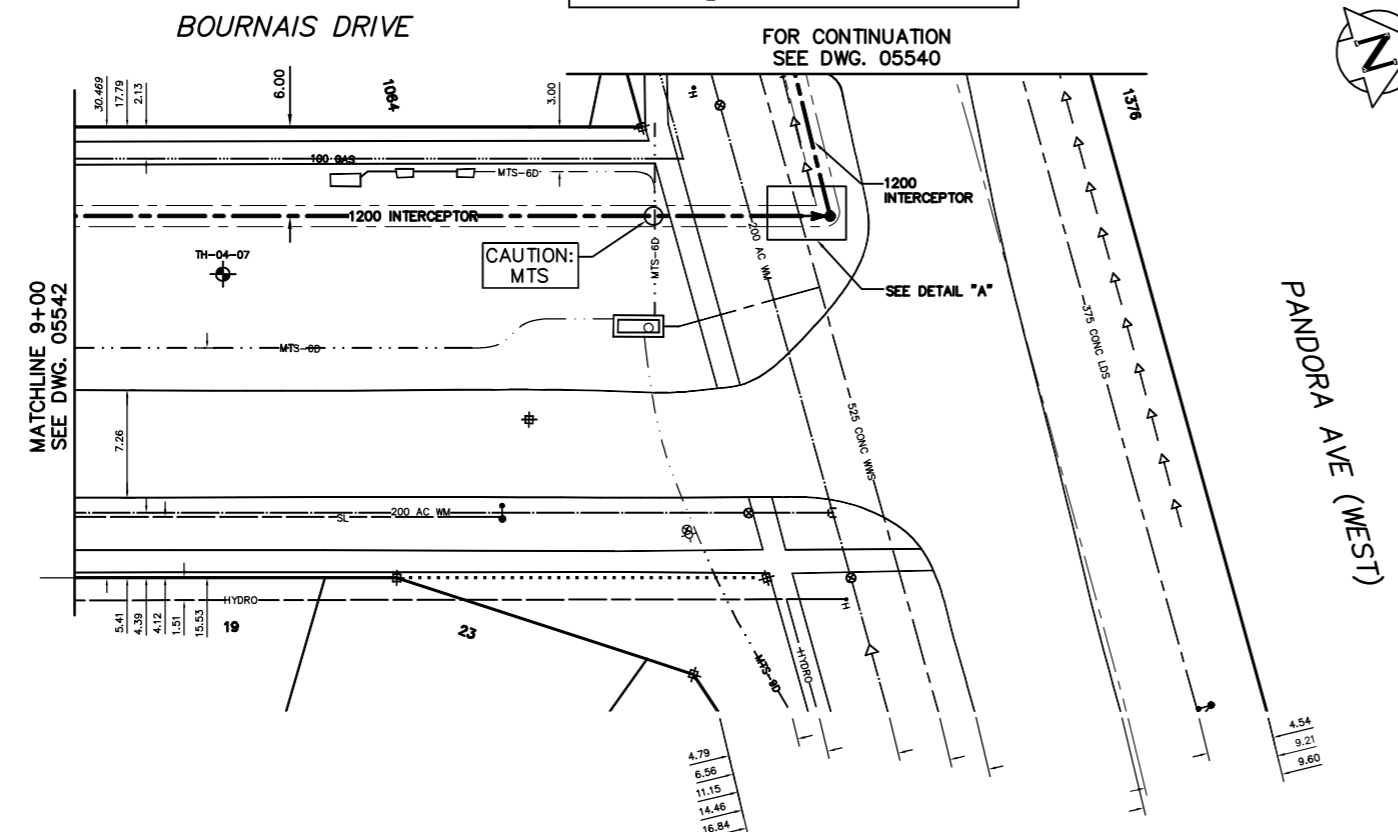
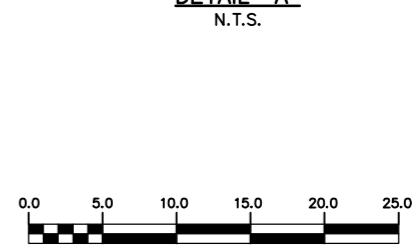
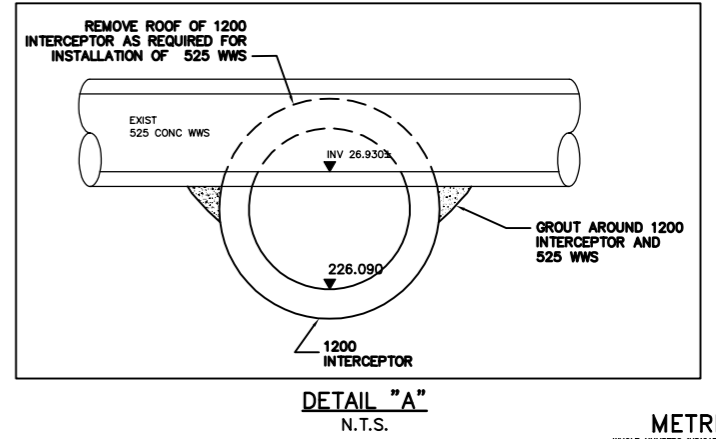


NOTE: CHAINAGES SHOWN ARE ALONG E. R. OF BOURNAIS DR.



FOR CONSTRUCTION NOTES SEE DRAWING 05533

SEWER SERVICE INFORMATION			
ADDRESS	SIZE	R. DIST.	JUNCTION TIE
19 SIMS CR			SERV. OFF SIMS
RESIDENTIAL			
23 SIMS CR			SERV. OFF SIMS
RESIDENTIAL			
1064 PANDORA AVE		5.60 WEL HSE	
RESIDENTIAL			71.30 E MH @ OWENS
1376 REGENT AVE			SERV. OFF REGENT
COMMERCIAL			



**METRIC**  
WHOLE NUMBERS INDICATE MILLIMETRES  
DECIMALIZED NUMBERS INDICATE METRES

**WARNING**  
IF POWER EQUIPMENT OR EXPLOSIVES ARE TO BE USED FOR EXCAVATION ON THIS PROJECT THE CONTRACTOR  
LOCATION OF EXCAVATION.  
1) NOTIFY THE GAS COMPANY OF THE PROPOSED LOCATION OF EXCAVATION.  
2) TAKE PRECAUTION TO AVOID DAMAGE TO GAS COMPANY INSTALLATIONS.  
SEE PROVINCIAL REGULATION 210/72 FOR DETAILS

<b>200 WM</b> WATERMAIN HYDRANT VALVE 525 LDS LAND DRAINAGE SEWER 375 WWS WASTEWATER SEWER MANHOLE CATCH BASIN CURB INLET JUNCTIONS CULVERT ANODE EXISTING LEGEND—PLAN PROPOSED				<b>200 WM</b> SL, HYDRO MTS TRAFFIC SIGNALS GAS SURVEY BAR FENCE POLE — HYDRO, MTS CURB STOP GUY ANCHOR LIGHT STANDARD TREE EXISTING LEGEND—PLAN PROPOSED				<b>150 WM</b> WATERMAIN VALVE LAND DRAINAGE SEWER WASTEWATER SEWER PROFILE DITCH (NORTH & WEST) DITCH (SOUTH & EAST) EXISTING LEGEND—PROFILE PROPOSED				<b>LOCATION APPROVED UNDERGROUND STRUCTURES</b> SUPV. U/G STRUCTURES COMMITTEE DATE NOTE: LOCATION OF UNDERGROUND STRUCTURES AS SHOWN ARE BASED ON THE BEST INFORMATION AVAILABLE BUT NO GUARANTEE IS GIVEN THAT ALL EXISTING UTILITIES ARE SHOWN OR THAT THE GIVEN LOCATIONS ARE EXACT. CONFIRMATION OF EXISTENCE AND EXACT LOCATION OF ALL SERVICES MUST BE OBTAINED FROM THE INDIVIDUAL UTILITIES BEFORE PROCEEDING WITH CONSTRUCTION.				B.M. ELEV. FIELD BOOK # POSTED TO LBIS		<b>CITY OF WINNIPEG WATER AND WASTE ENGINEERING DIVISION</b> DESIGNED BY SC CHECKED BY TW DRAWN BY CJH APPROVED BY KZ HOR. SCALE 1:250 VERTICAL SCALE 1:50 DATE 2005 03 31		ENGINEER'S SEAL ORIGINAL SIGNED BY K.R. ZUREK 05/03/31 BID OPPORTUNITY: 93-2005 PLOT DATE: 2005 04 14		<b>THE CITY OF WINNIPEG WATER AND WASTE DEPARTMENT</b> NORTHEAST INTERCEPTOR STAGE VII <b>BOURNAIS DRIVE</b> PANDORA AVENUE (WEST) TO 38 m S OF SR PANDORA AVENUE SHEET 9 OF 18 CITY DRAWING NUMBER 05541	
---	--	--	--	---	--	--	--	---	--	--	--	---	--	--	--	--	--	---	--	--	--	--	--