

| COLUMN SCHEDULE | |
|-----------------|---|
| MARK | DESCRIPTION |
| P1 | 3-2x4 P.T. BUILT-UP POST (SEE TYPICAL POST BASE DETAIL) 1 1/4" |
| P2 | 3-2x6 P.T. BUILT-UP POST (SEE TYPICAL POST BASE DETAIL) 1 1/4" |

BUILDING PLAN
1/8" = 1'-0"

NOTE: - ALL LUMBER SHALL BE PRESSURE TREATED
- ALL PLYWOOD SHALL BE EXTERIOR GRADE PRESSURE TREATED
- ALL EXPOSED WOOD CONSTRUCTION SHALL RECEIVE TWO COATS ACRYLIC LATEX PAINT. COLOUR TO BE SELECTED BY OWNER.

| BEAM SCHEDULE | |
|---------------|--|
| MARK | DESCRIPTION |
| B1 | 2-2x12 P.T. BUILT-UP BEAM |
| B2 | 3 1/2" WIDE x 11 7/8" HIGH 2.0E PSL PARALLAM BEAM (TREATED) |

| No. | Date | Revisions | By |
|-----|--------------|----------------------|----|
| 4 | FEB 23, 2006 | ADDENDUM NO.1 | BF |
| 3 | FEB 14, 2006 | RE-ISSUED FOR TENDER | BF |
| 2 | FEB 10, 2006 | RE-ISSUED FOR TENDER | BF |
| 1 | FEB 6, 2006 | ISSUED FOR TENDER | BF |

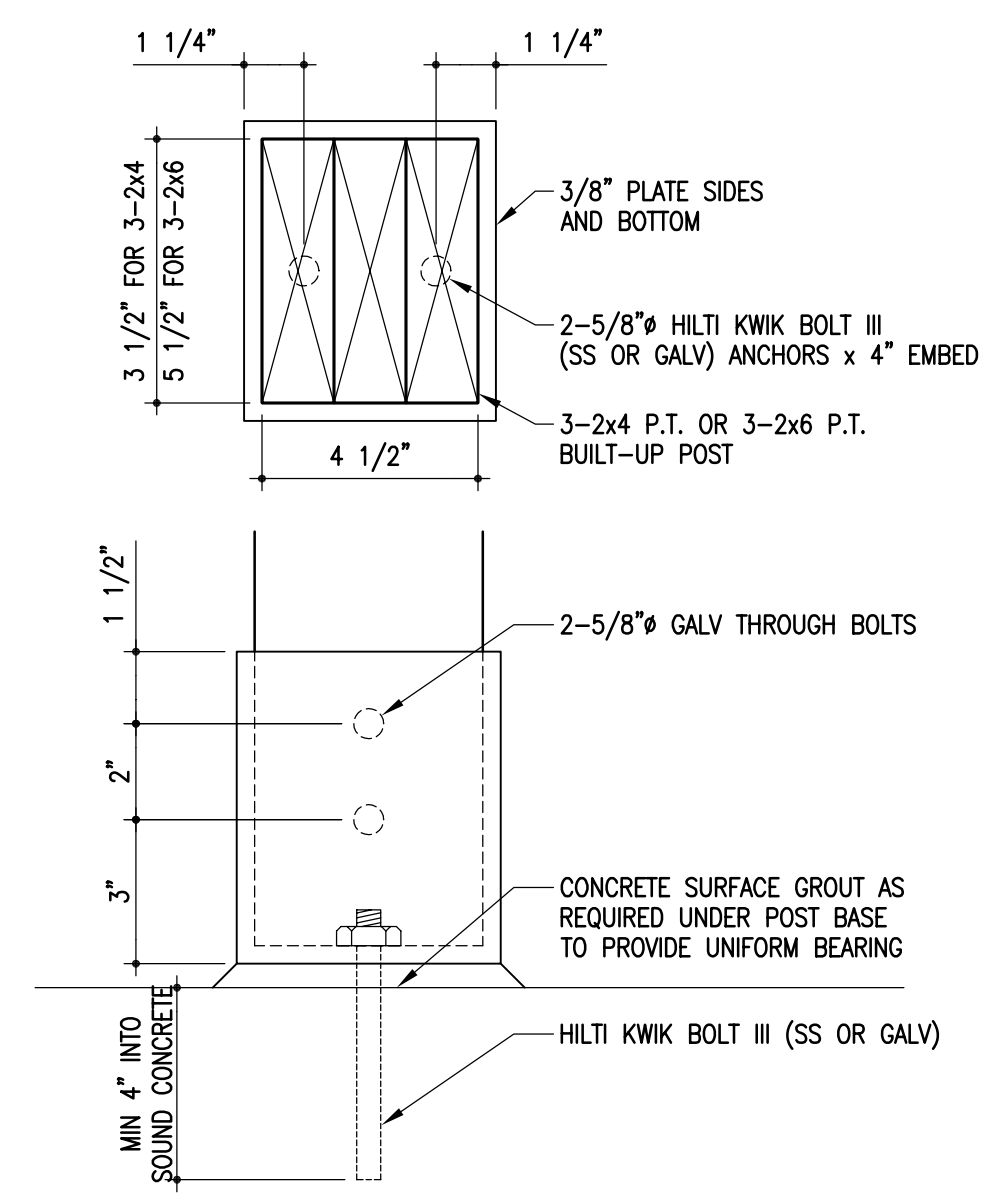
APEGM
Certificate of Authorization
Crosier Kilgour & Partners Ltd.
No. 235 Expiry: April 30, 2006

PROVINCE OF MANITOBA
REGISTERED PROFESSIONAL ENGINEER
B. FLISAK
Member
22454

CROSIER KILGOUR & PARTNERS LTD.
Consulting Structural Engineers
390-275 Carlton Street, Winnipeg, MB R3C 5R6
Tel: (204) 943-7501 Fax: (204) 943-7507

The Contractor shall check & verify all dimensions and shall report any errors or omissions to the Contract Administrator.

| | | | | | | |
|--|--------------|---------------|-------------------|---------------------|-------------------|-------------------------|
| Project PUBLIC SAFETY BUILDING TEMPORARY PEDESTRIAN WALKWAY ENCLOSURE WINNIPEG, MANITOBA | | | | | | Sheet No. S-1 |
| Drawing Title BUILDING PLAN | | | | | | |
| Design BF | Drawn JMN | Checked BF | Scale AS NOTED | Date FEB 6, 2006 | File 2006-0031 | |



TYPICAL POST BASE DETAIL
3" = 1'-0"