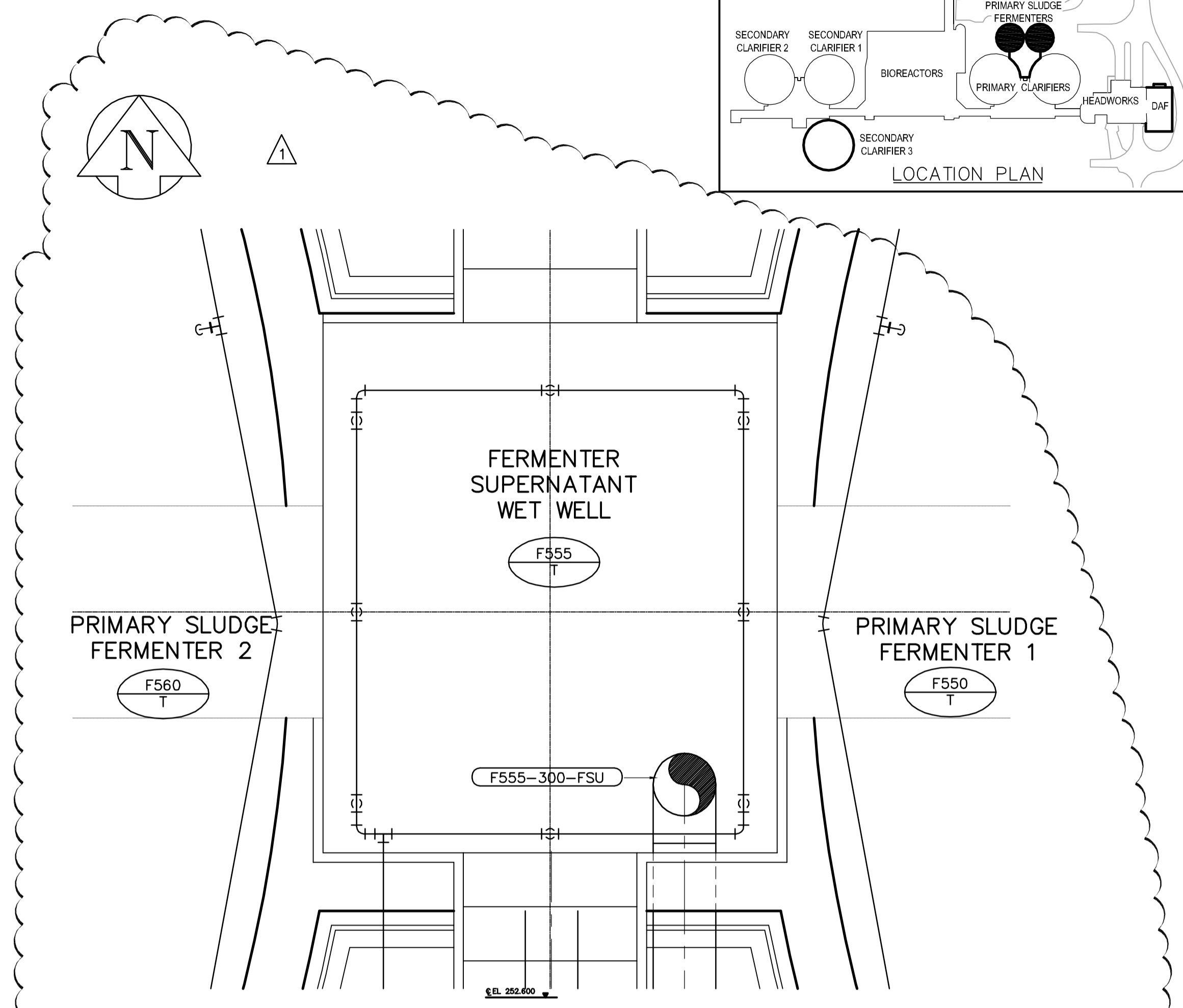
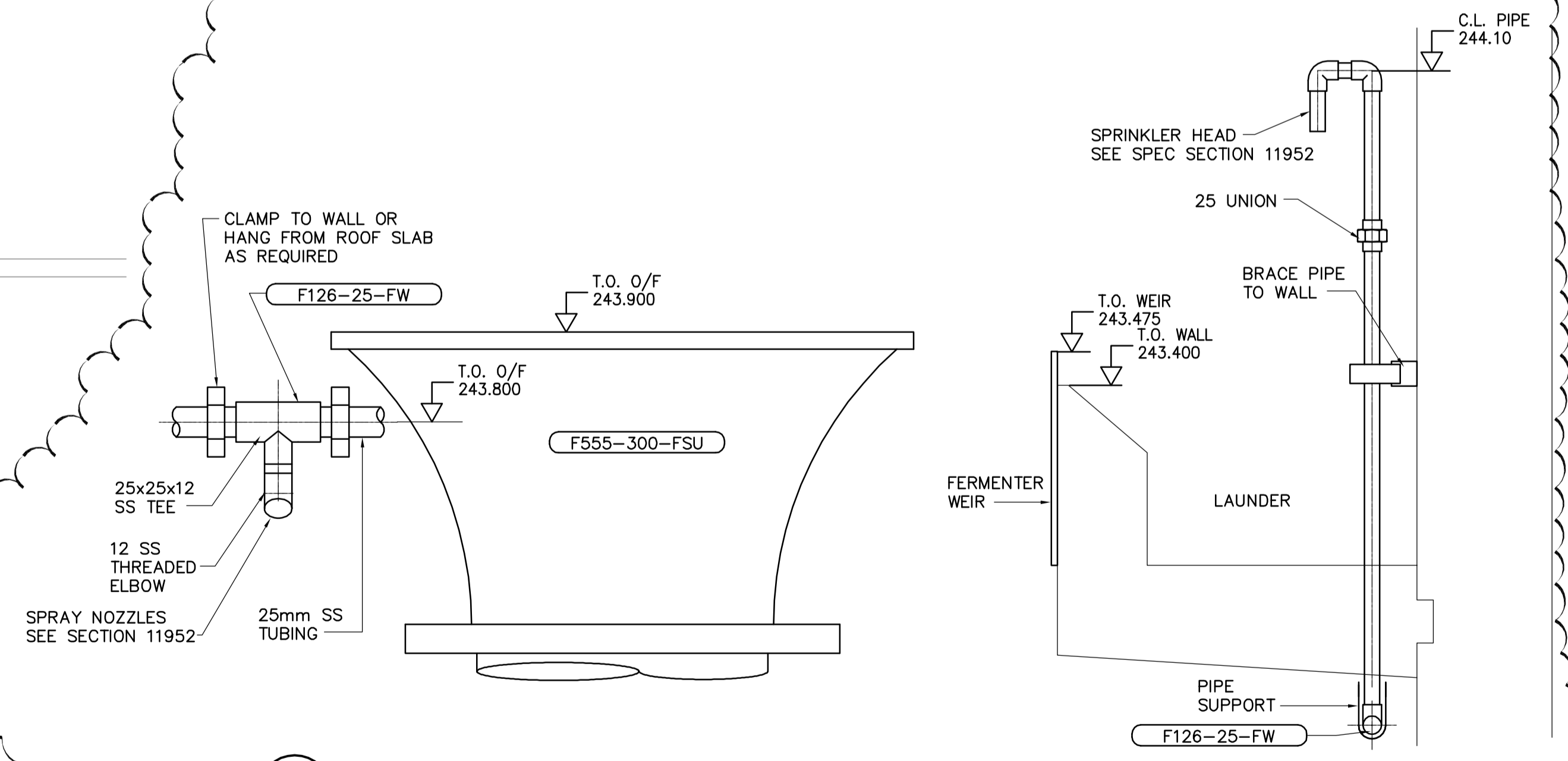


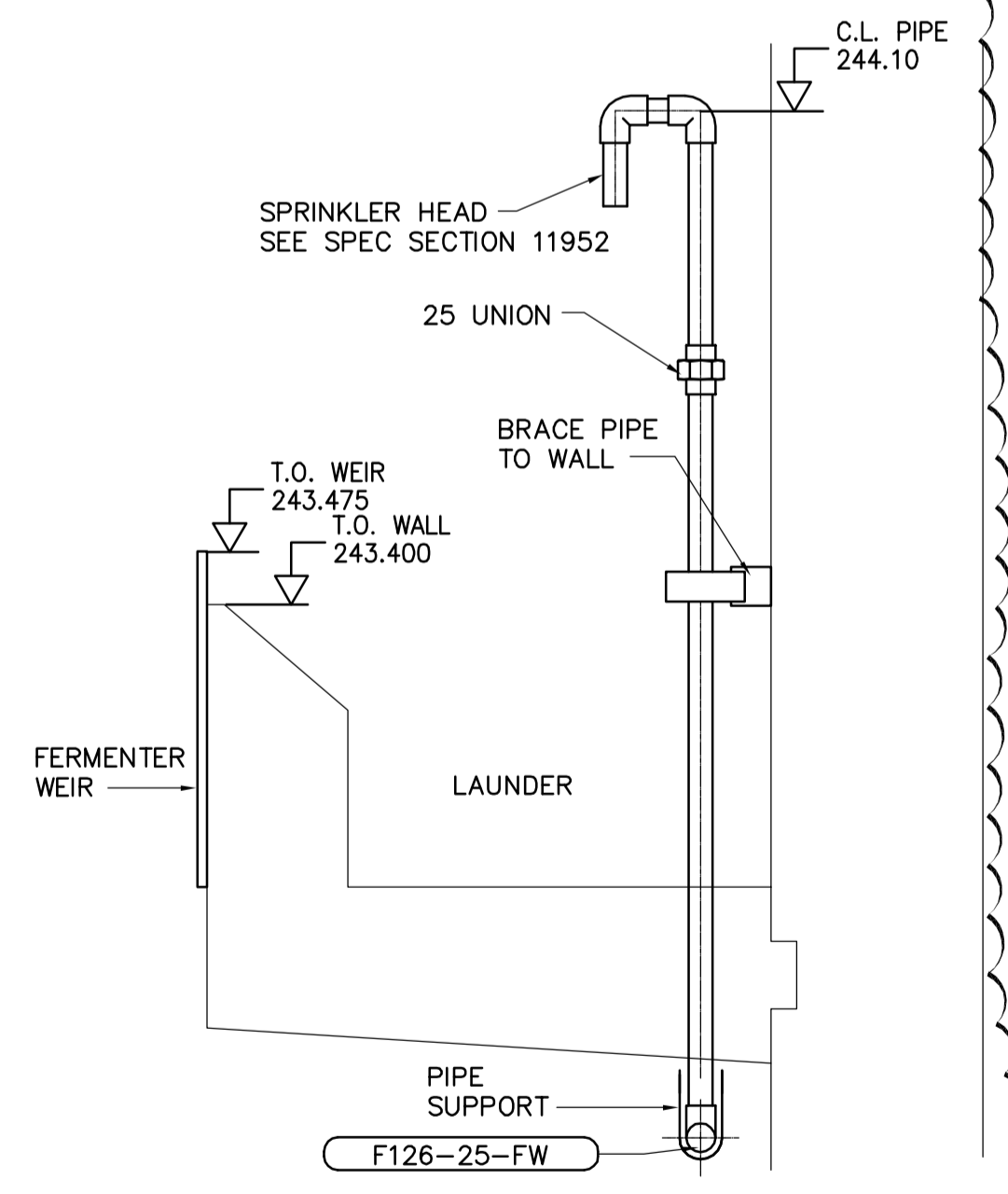
3 SECTION
FP1.01 1:50



FERMENTER SUPERNATANT WET WELL
1:25



1 DETAIL - WASH DOWN SPRAY NOZZLE
FP1.04 1:5



2 DETAIL - SURFACE SPRAY HEAD
FP1.04 1:10



NO.	REVISIONS	DATE	BY
01	21-2006 ADDENDUM 3	06/05/19	PJY
00	ISSUED FOR TENDER	06/04/26	PJY

<p>A Tyco International Ltd. Company</p>	
DESIGNED BY: YL	CHECKED BY: KM
DRAWN BY: PJY	APPROVED BY: JEH
HOR. SCALE: AS NOTED	
VERTICAL SCALE:	
DATE: 2005/11/23	DATE: 2006/04/26

ENGINEER'S SEAL
ORIGINAL SIGNED BY: P.R. BARSALOU
DATE: 2006/04/26
CONSULTANT DRAWING NO. FP1.07

<p>THE CITY OF WINNIPEG WATER AND WASTE DEPARTMENT ENGINEERING DIVISION</p>	
WEWPCC BIOLOGICAL NUTRIENT REMOVAL UPGRADE CONTRACT 3	CITY FILE NUMBER
PROCESS AREA F - PRIMARY SLUDGE FERMENTERS FERMENTER SECTION	SHEET OF
	CITY DRAWING NUMBER