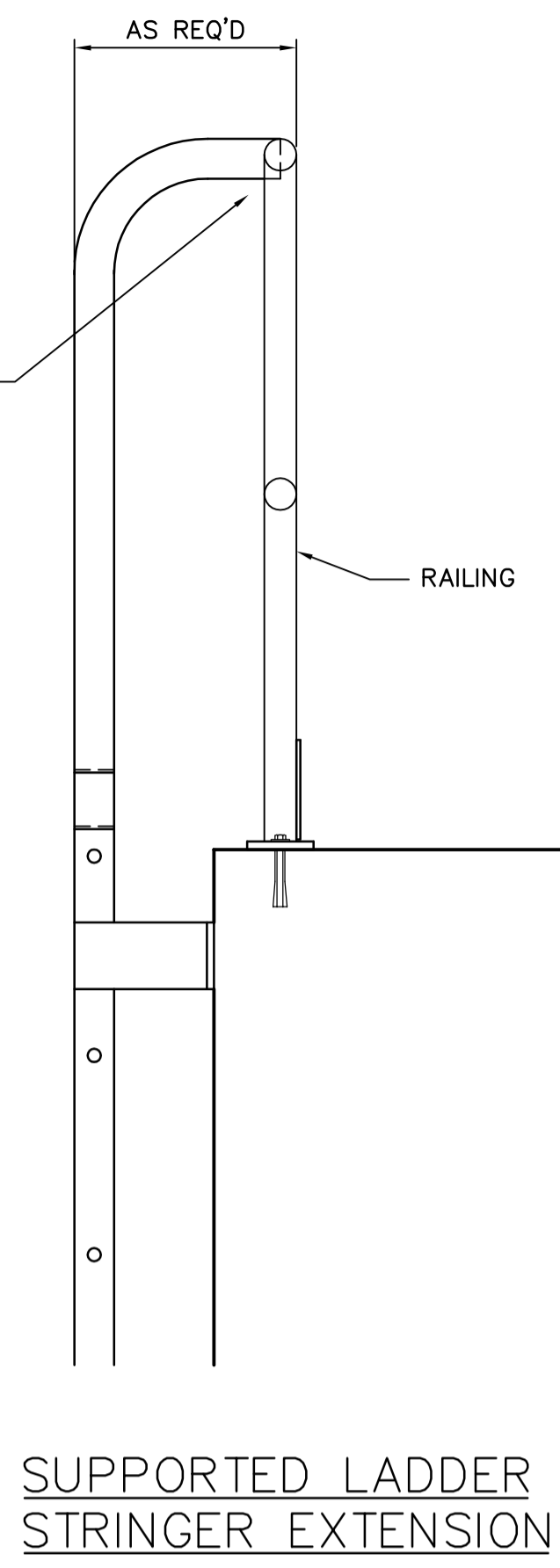
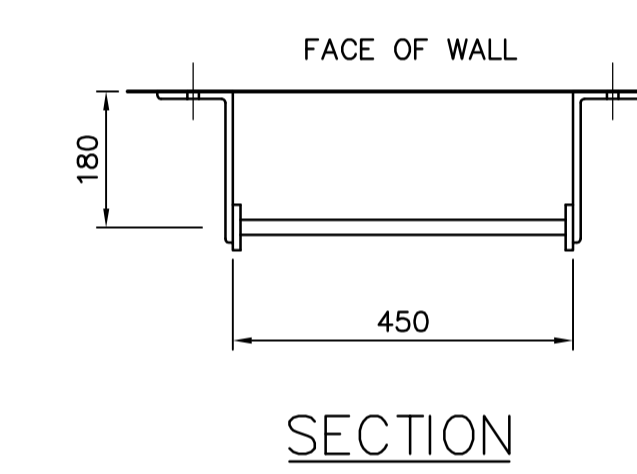


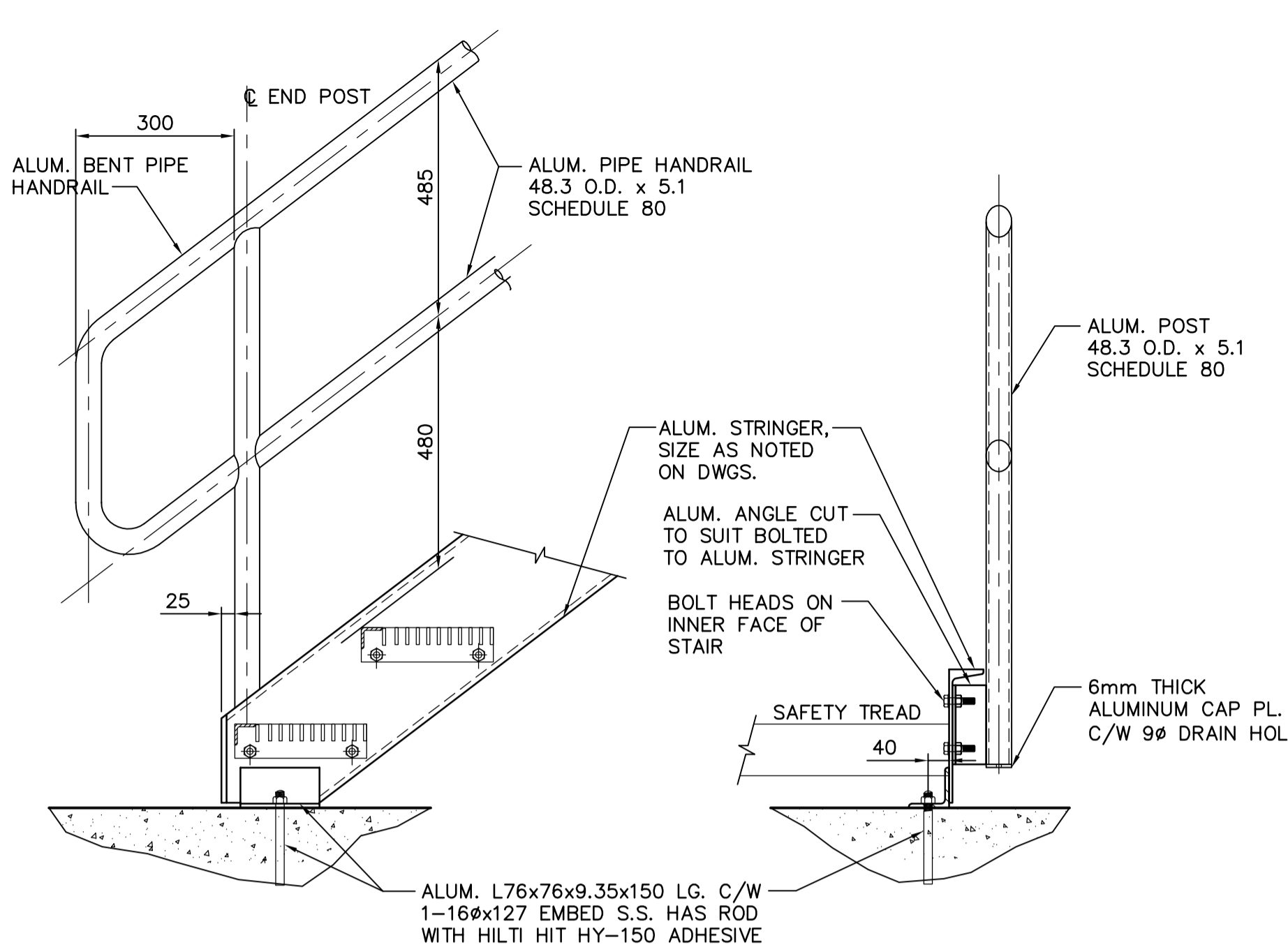
UNSUPPORTED LADDER STRINGER EXTENSION



SUPPORTED LADDER STRINGER EXTENSION

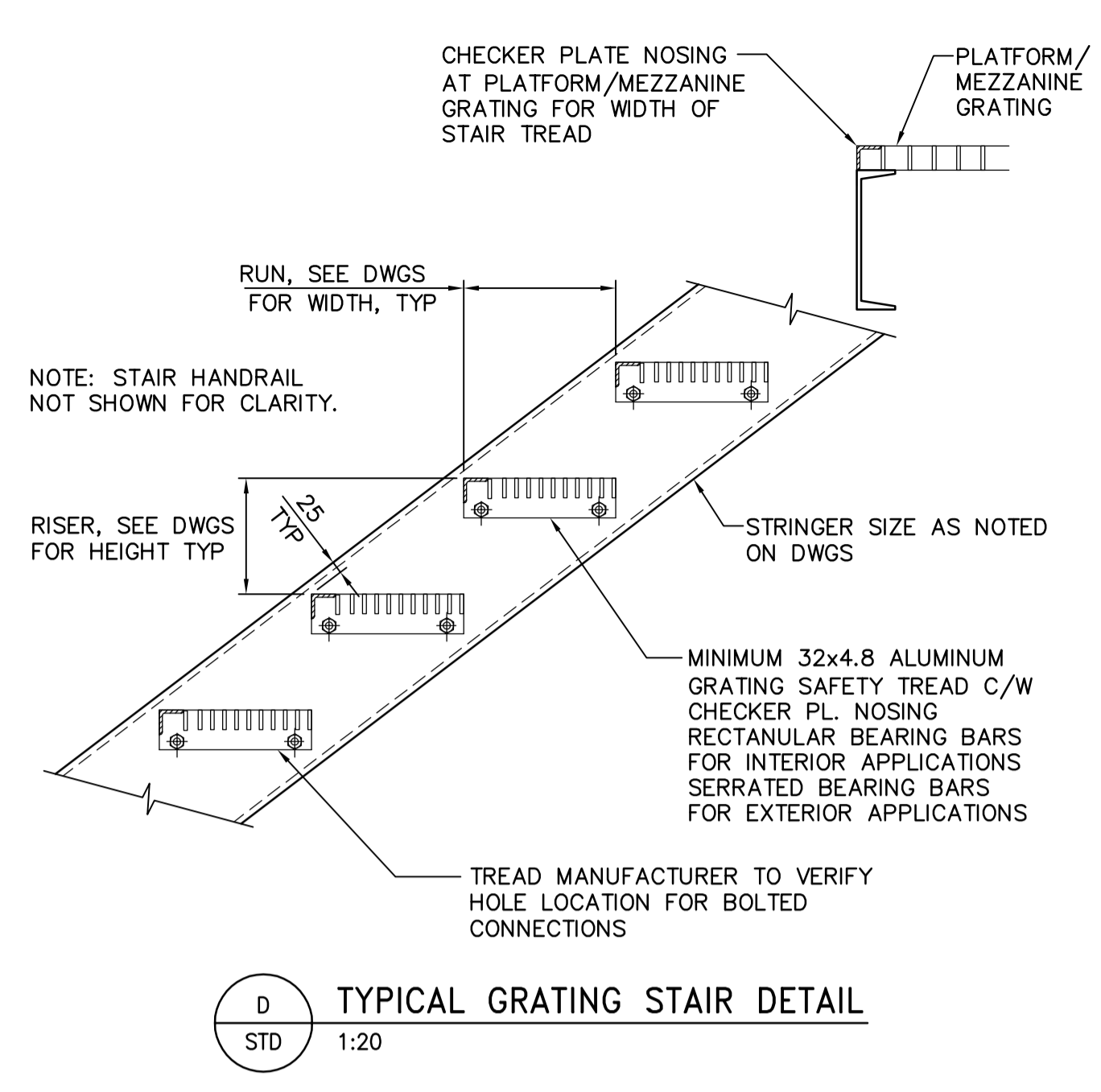


SECTION



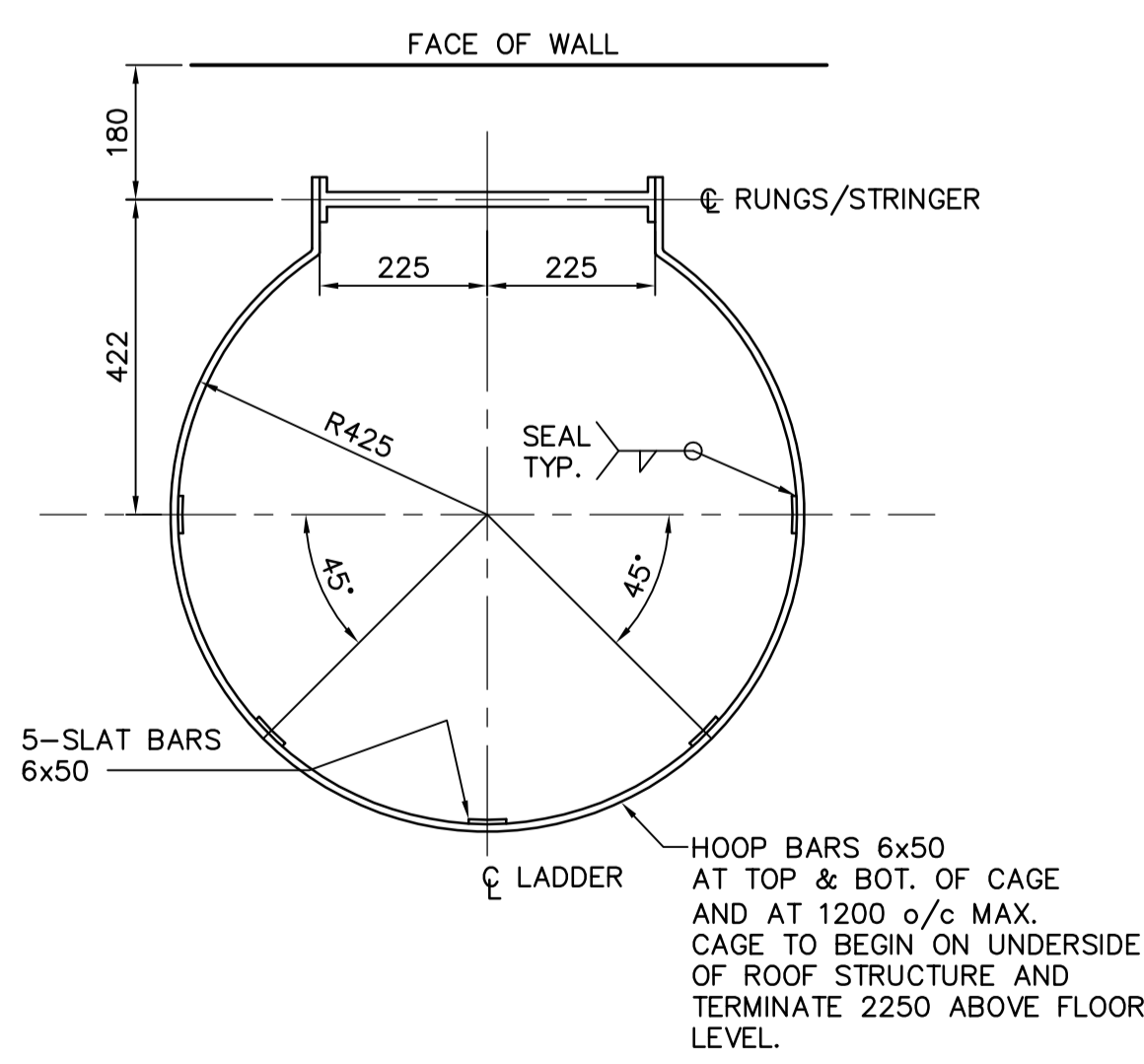
NOTES:  
1. PAINT ALL ALUMINUM SURFACES IN CONTACT WITH CONCRETE WITH TWO COATS OF ALKALI-RESISTANT BITUMINOUS PAINT.  
2. ALL MATERIAL TO BE ALUMINUM UNLESS NOTED OTHERWISE.

c TYPICAL STAIR BASE PLATE & RAILING END DETAIL  
STD 1:20

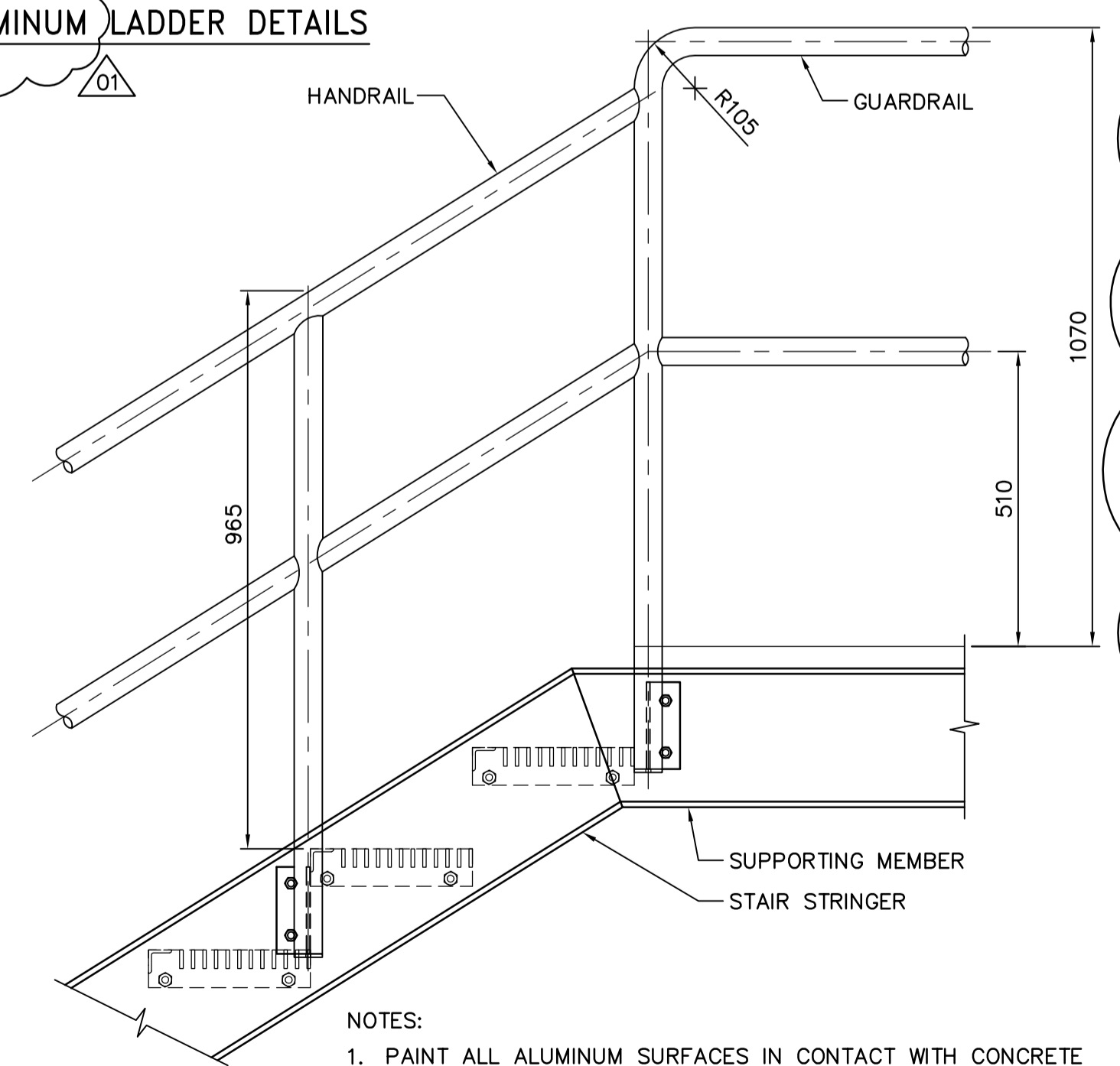


D TYPICAL GRATING STAIR DETAIL  
STD 1:20

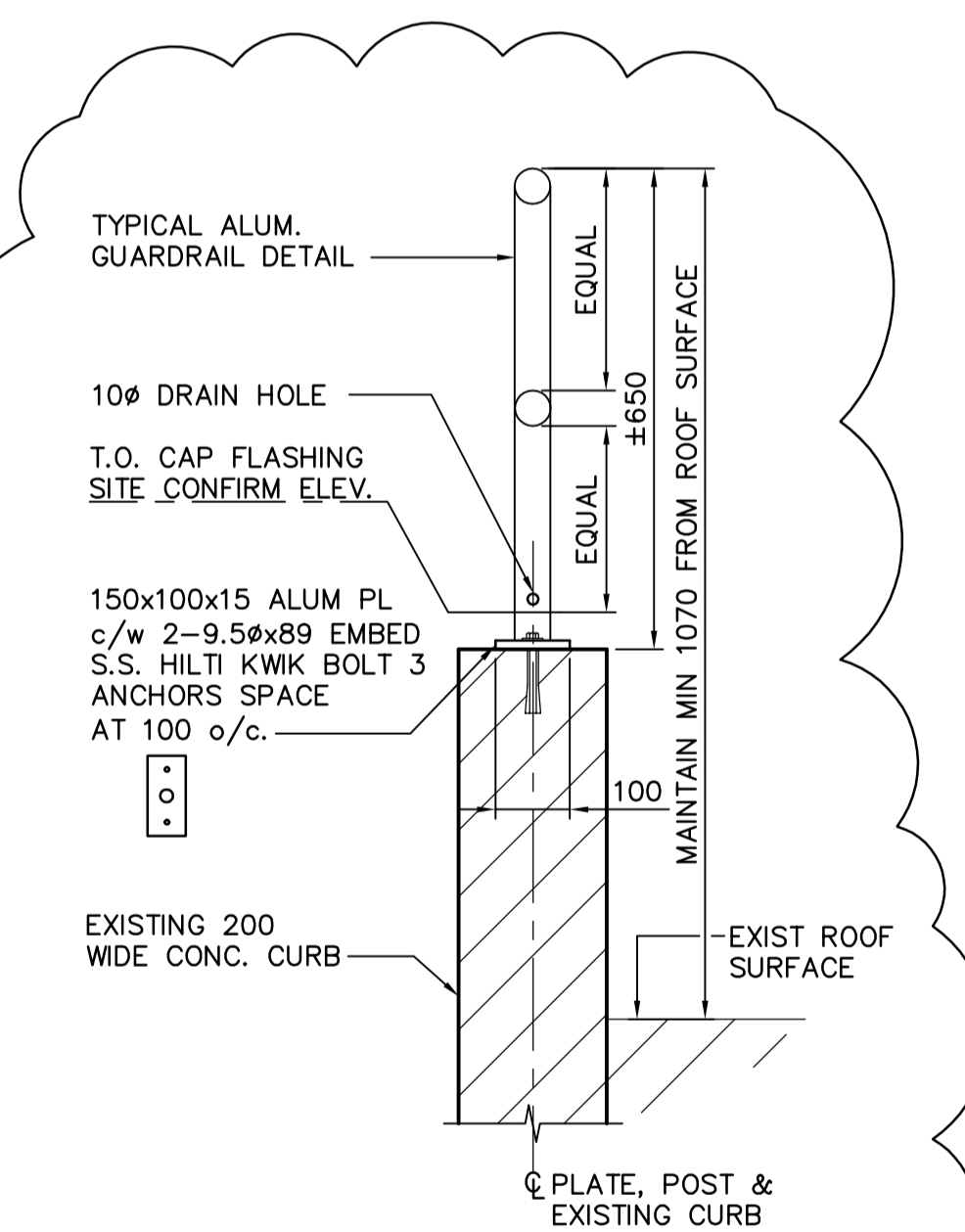
A TYPICAL ALUMINUM LADDER DETAILS  
STD 1:10



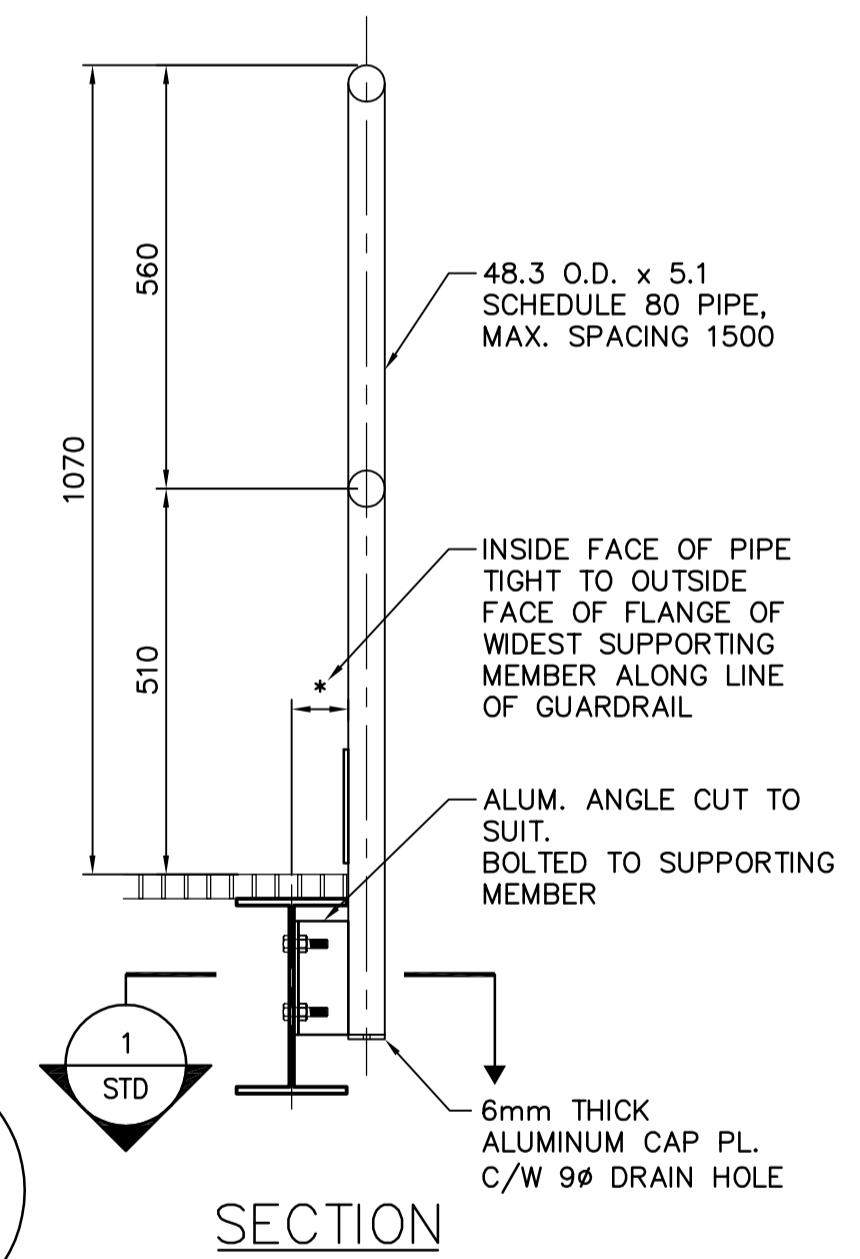
B TYPICAL LADDER SAFETY CAGE  
STD 1:10



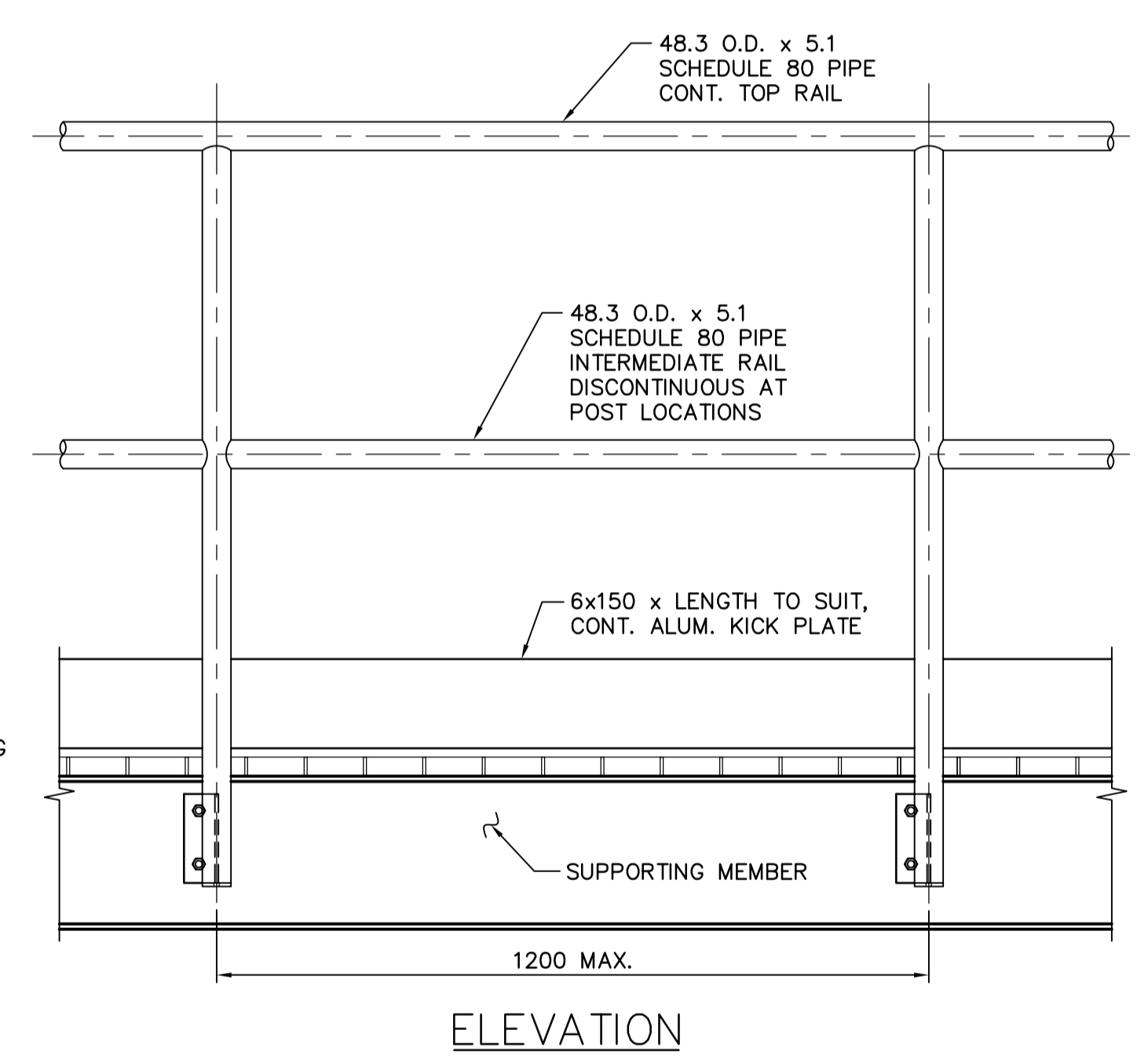
F TYPICAL TRANSITION DETAIL  
STD 1:10



G TYPICAL GUARDRAIL @ BIOREACTOR  
STD 1:10



1 SECTION  
STD 1:5



NOTES:  
1. PAINT ALL ALUMINUM SURFACES IN CONTACT WITH CONCRETE WITH TWO COATS OF ALKALI-RESISTANT BITUMINOUS PAINT.  
2. ALL MATERIAL TO BE ALUMINUM UNLESS NOTED OTHERWISE.

E TYPICAL GUARDRAIL/HANDRAIL DETAILS  
STD 1:10

B.M. ELEV.	<b>EarthTech</b> A Tyco International Ltd. Company		ENGINEER'S SEAL	<b>THE CITY OF WINNIPEG</b> WATER AND WASTE DEPARTMENT ENGINEERING DIVISION	
DESIGNED BY: ARA	CHECKED BY:	ORIGINAL SIGNED BY: M. KLASSEN	WEWPCC BIOLOGICAL NUTRIENT REMOVAL UPGRADE CONTRACT 3		CITY FILE NUMBER
DRAWN BY: NDH	APPROVED BY: JEH	2006/04/26	STRUCTURAL AREA L - GENERAL AND SITEWORKS STANDARD DETAILS		SHEET OF
01 21-2006 ADDENDUM 3 06/05/19 NS	HOR. SCALE:	RELEASED FOR CONSTRUCTION BY: J. VEILLEUX	CONSULTANT DRAWING NO. LS1.06		CITY DRAWING NUMBER
00 ISSUED FOR TENDER 06/04/26 KK	VERTICAL SCALE:	DATE: 2006/04/26			
NO. REVISIONS	DATE	DATE: 2006/04/26			

**APEGM**  
Certificate of Authorization  
Earth Tech Canada Inc.  
No. 730 Expiry: April 30, 2006