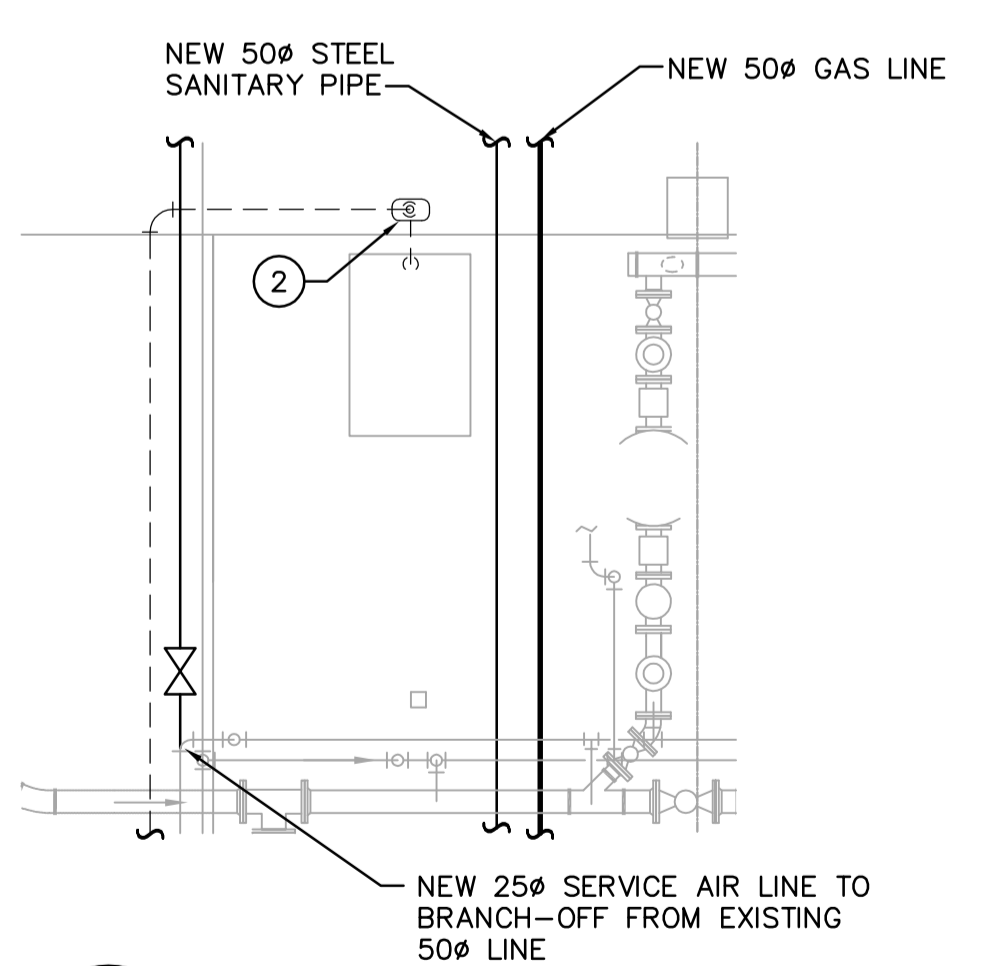


1 DETAIL - TIE IN
PM1.01 SCALE 1:50



2 DETAIL - TIE IN
PM1.01 SCALE 1:50



DRAWING NOTES

- ① NEW 50mm PUMPED SANITARY PIPE FROM FERMENTER GALLERY SUMP PUMPS (EL. 239.000).
- ② EXISTING SUMP PUMP.
- ③ EXISTING SANITARY LINE FROM EXISTING SUMP PIT.
- ④ FOR CONTINUATION SEE DRAWING FM1.01.
- ⑤ NEW 25mm SERVICE AIR LINE TO BRANCH OFF FROM EXISTING 50mm LINE.
- ⑥ NEW 75mm PUMPED SANITARY LINE TO ENTER CHAMBER ON THIS SIDE. CORE HOLE AT SAME ELEVATION AS PS LINE ON NORTH FACE OF WALL. SEAL AROUND PIPE PENETRATION WITH GROUT.
- ⑦ RUN IN PIPE RACKS AS SAME HEIGHT AS EXISTING PROCESS PIPES.
- ⑧ FOR CONTINUATION SEE DRAWING SM1.02.

GENERAL NOTES

- 1. COORDINATE WITH OTHER TRADES SO AS TO PREVENT CONFLICTS.
- 2. CLEANOUTS SHALL BE INSTALLED IN THE PUMP SANITARY PIPE AS PER NATIONAL PLUMBING CODE.

B.M. ELEV.	 A Tyco International Ltd. Company		ENGINEER'S SEAL	 THE CITY OF WINNIPEG WATER AND WASTE DEPARTMENT ENGINEERING DIVISION	CITY FILE NUMBER
			ORIGINAL SIGNED BY A. BURACHYNSKY		
DESIGNED BY DC	CHECKED BY PVL	2006/04/26	MECHANICAL AREA P - PRIMARY CLARIFIERS TUNNEL PLUMBING PLAN	CITY DRAWING NUMBER	
DRAWN BY DC	APPROVED BY JEH	CONSULTANT DRAWING NO. PM1.01			
01 21-2006 ADDENDUM 3 06/05/19 DC	HOR. SCALE: AS NOTED	RELEASED FOR CONSTRUCTION BY: J. VEILLEUX			
00 ISSUED FOR TENDER 06/04/26 DC	VERTICAL SCALE:	DATE 2006/01/02			
NO. REVISIONS	DATE	DATE 2006/04/26			