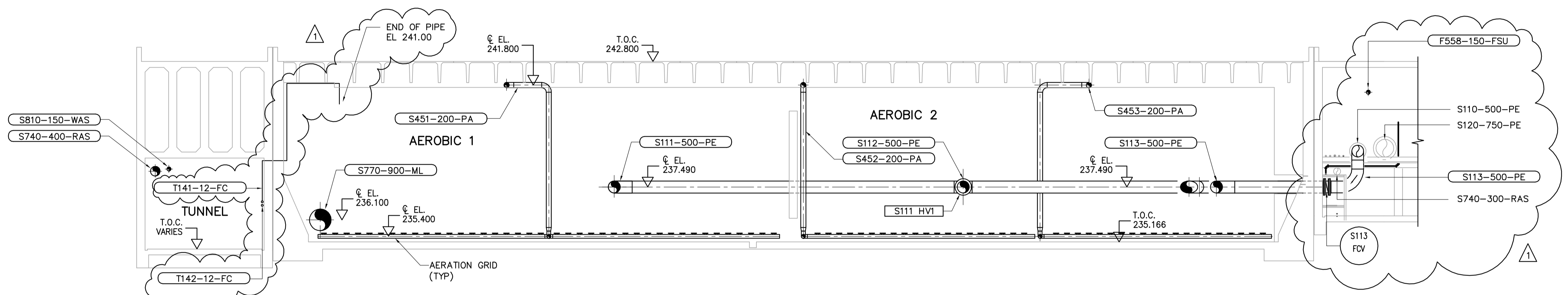
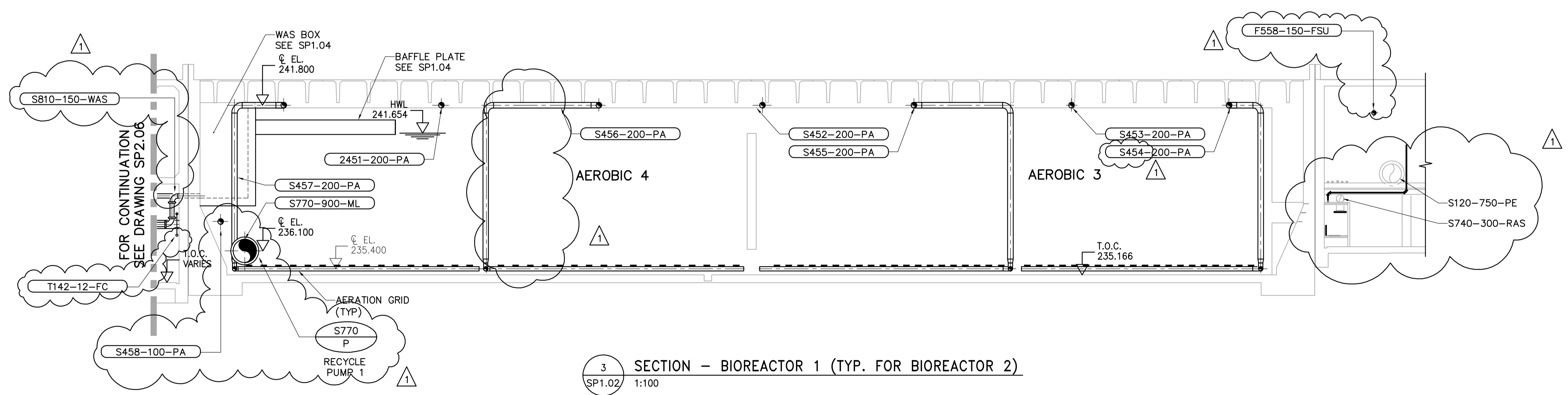


1 SECTION - BIOREACTOR 1 (TYP. FOR BIOREACTOR 2)  
SP1.02 1:100



2 SECTION - BIOREACTOR 1 (TYP. FOR BIOREACTOR 2)  
SP1.02 1:100



3 SECTION - BIOREACTOR 1 (TYP. FOR BIOREACTOR 2)  
SP1.02 1:100

**GENERAL NOTES**  
1. CONTRACTOR TO CONFIRM EXISTING PIPE AND EQUIPMENT DIMENSIONS AND LOCATIONS PRIOR TO CONSTRUCTION.



B.M. ELEV.					
<b>EarthTech</b> A Tyco International Ltd. Company					
DESIGNED BY	CL	CHECKED BY	KM	ENGINEER'S SEAL	
DRAWN BY	RI	APPROVED BY	JEH	ORIGINAL SIGNED BY	P.R. BARSALOU
01 21-2006 ADDENDUM 3 06/05/19 PAL		HOR. SCALE: AS NOTED		2006/04/26	
00 ISSUED FOR TENDER 06/04/26 SRP		VERTICAL SCALE:		RELEASED FOR CONSTRUCTION BY: J. VEILLEUX	
NO. REVISIONS		DATE		DATE 2005/10/06	
				DATE 2006/04/26	

<b>THE CITY OF WINNIPEG</b> WATER AND WASTE DEPARTMENT ENGINEERING DIVISION		CITY FILE NUMBER
<b>WEWPCB</b> BIOLOGICAL NUTRIENT REMOVAL UPGRADE CONTRACT 3		SHEET OF
PROCESS AREA S - BIOREACTORS SECTIONS		CITY DRAWING NUMBER