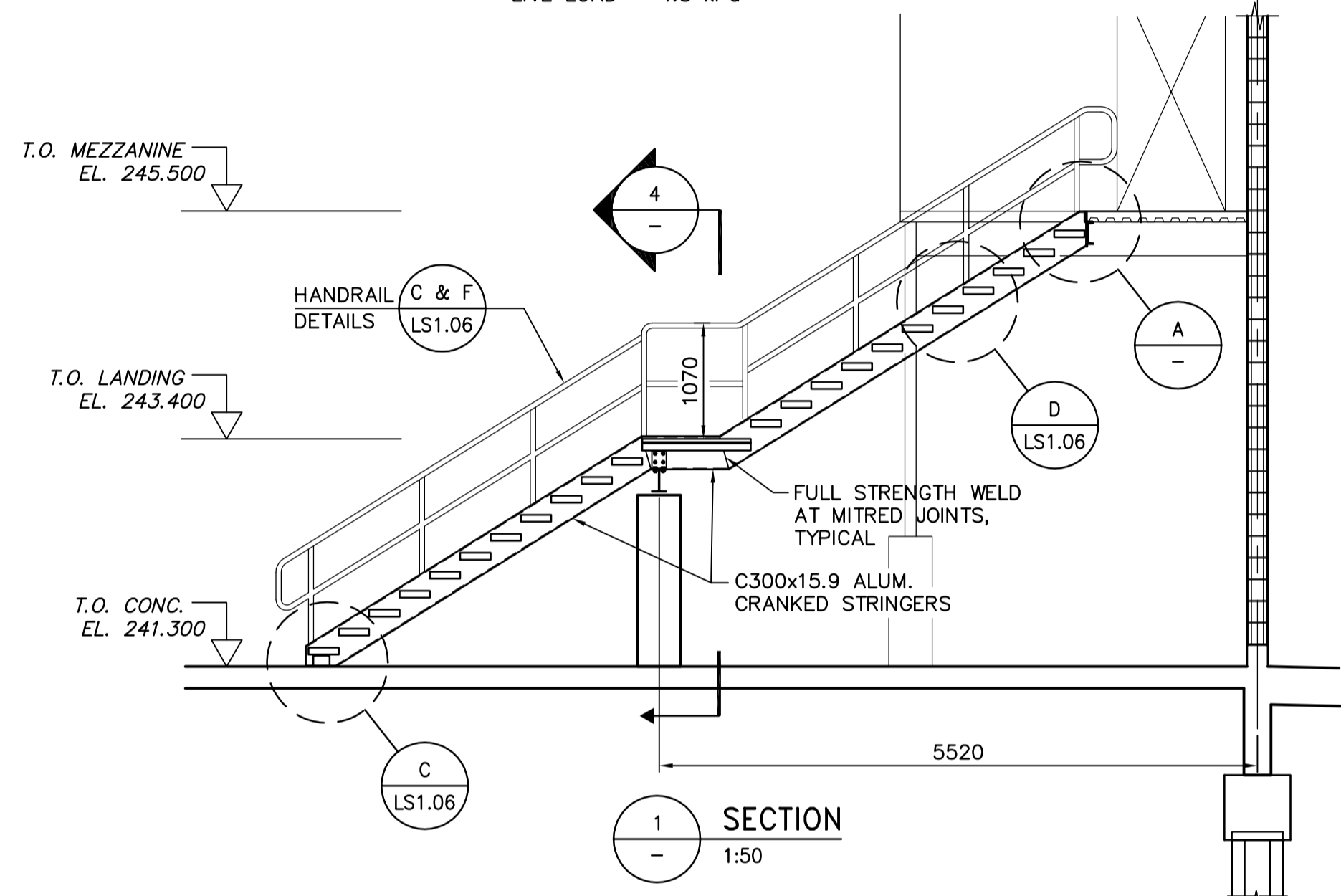
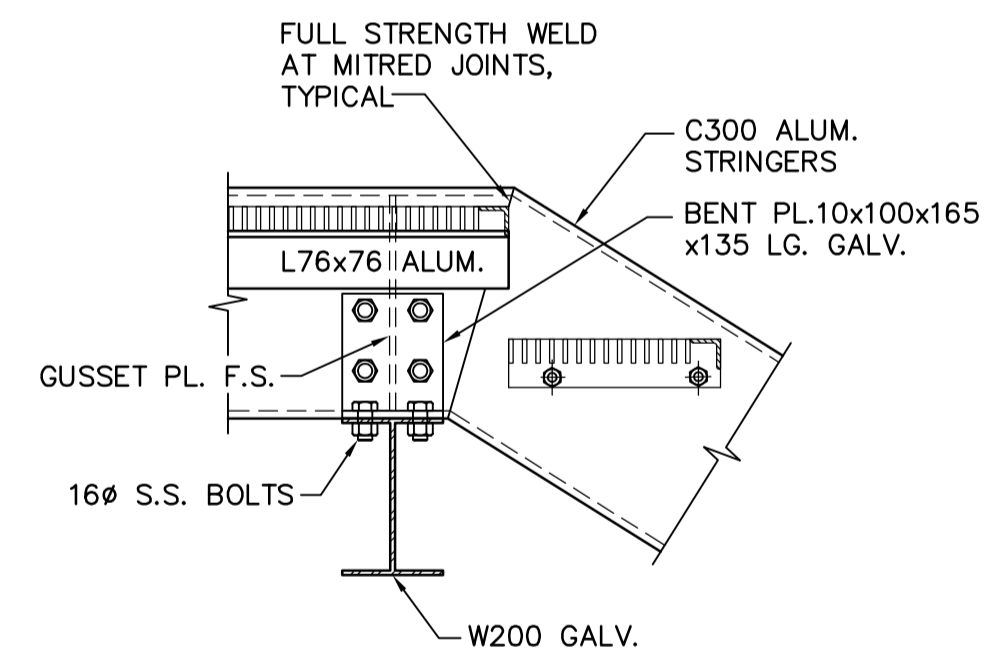


PLAN - STAIR No. 1  
1:50

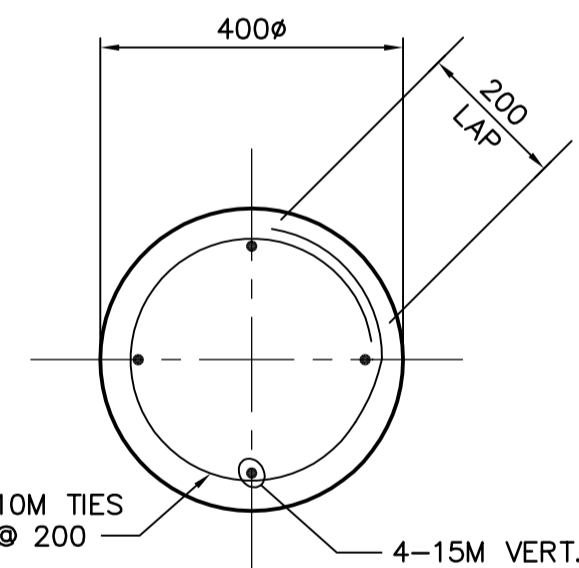
DESIGN LOADS:  
DEAD LOAD = 0.5 kPa  
LIVE LOAD = 4.8 kPa



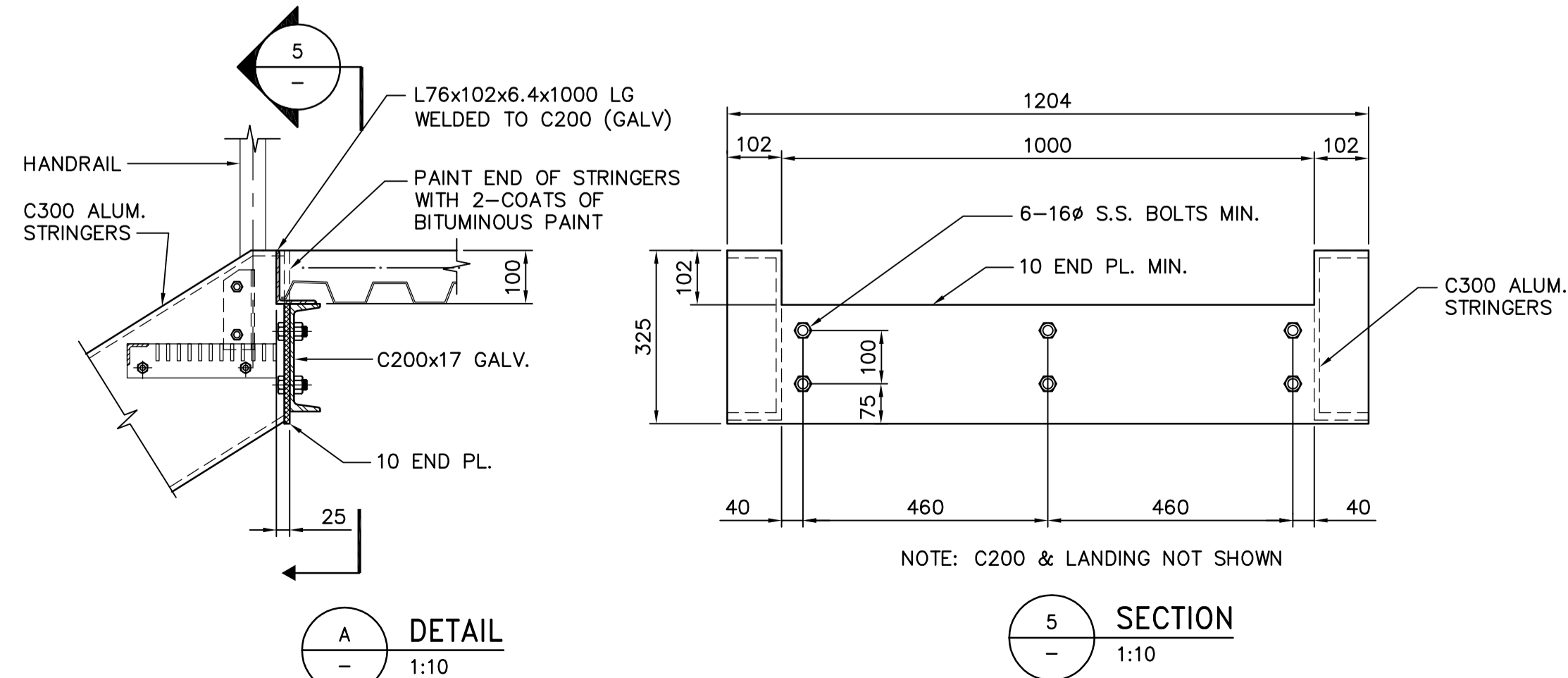
SECTION 1  
1:50



SECTION 2  
1:10



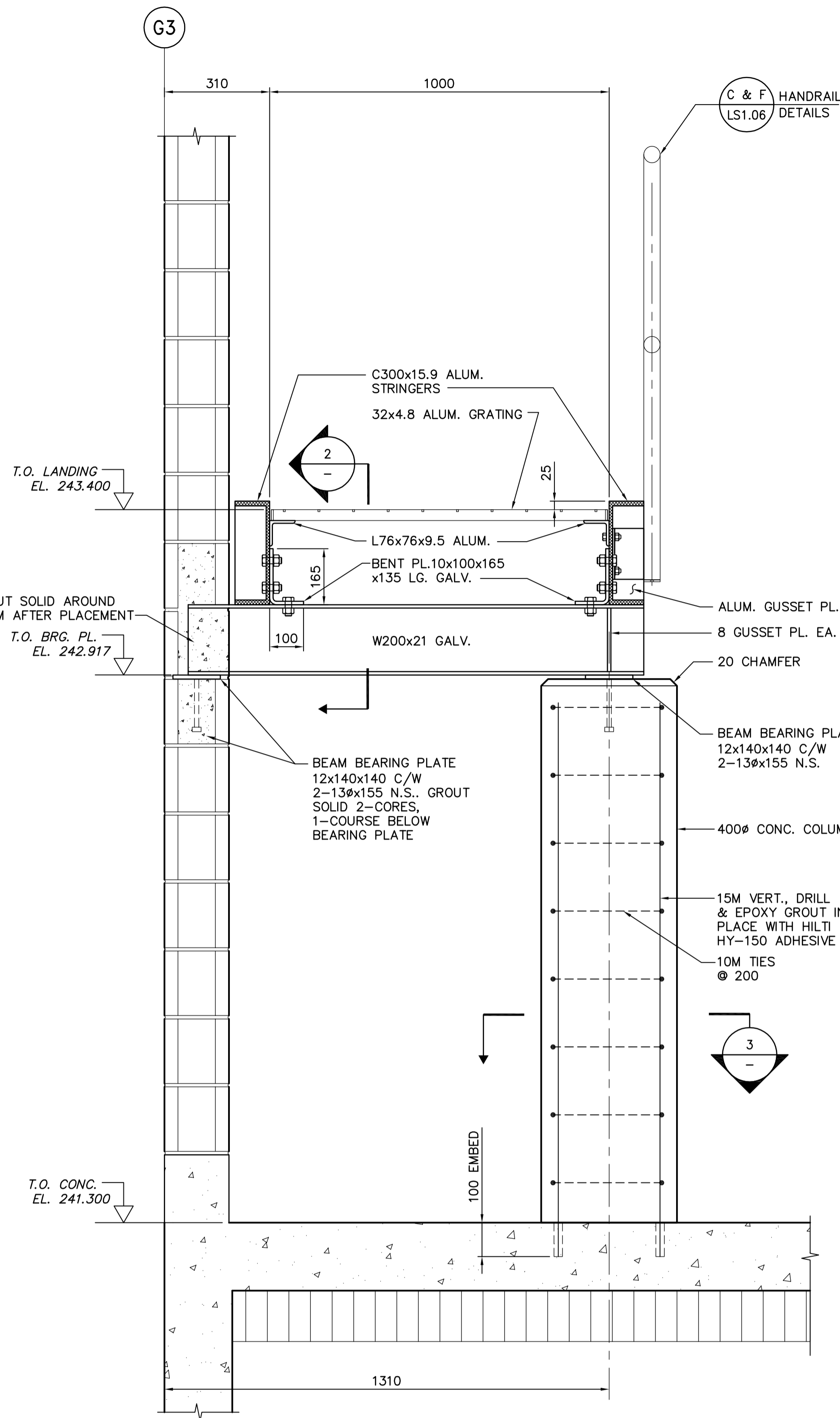
SECTION 3  
1:10



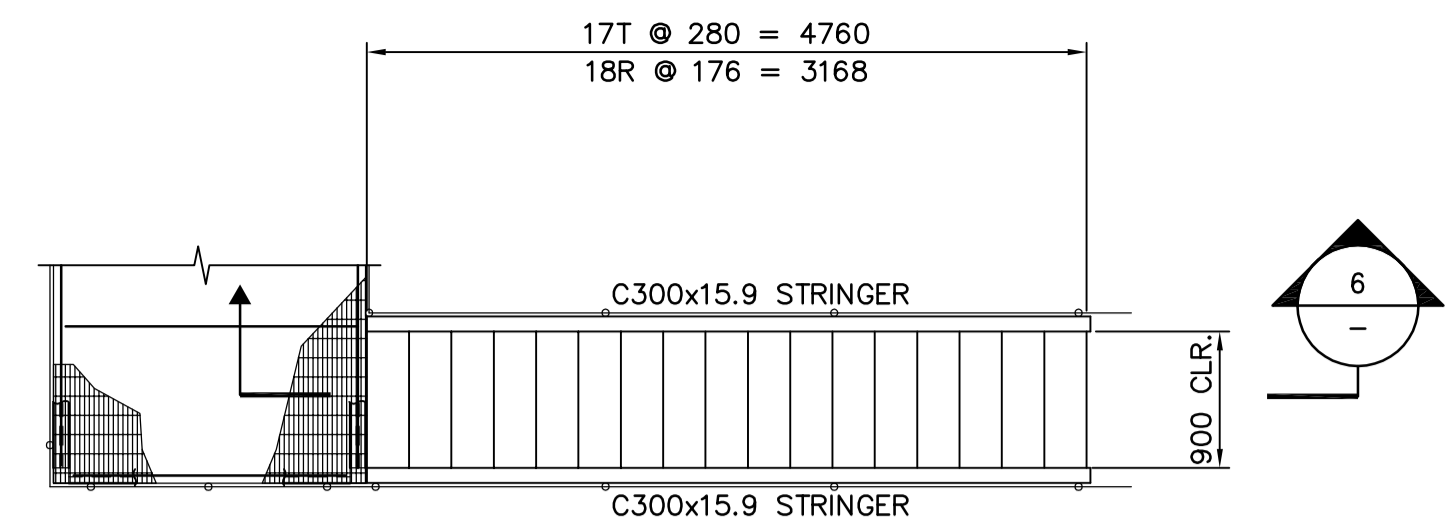
DETAIL A  
1:10

NOTE: C200 & LANDING NOT SHOWN

SECTION 5  
1:10

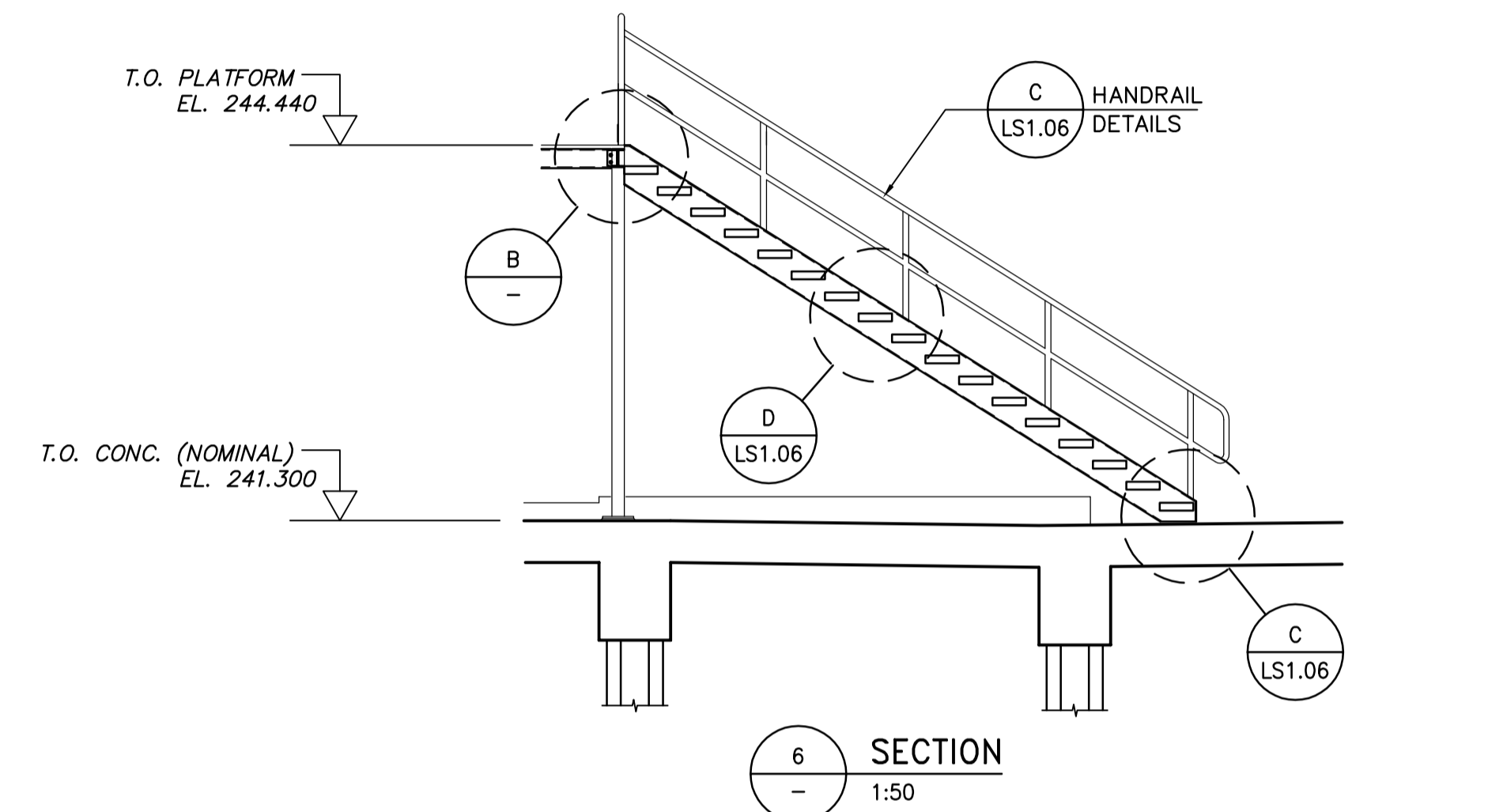


SECTION 4  
1:50

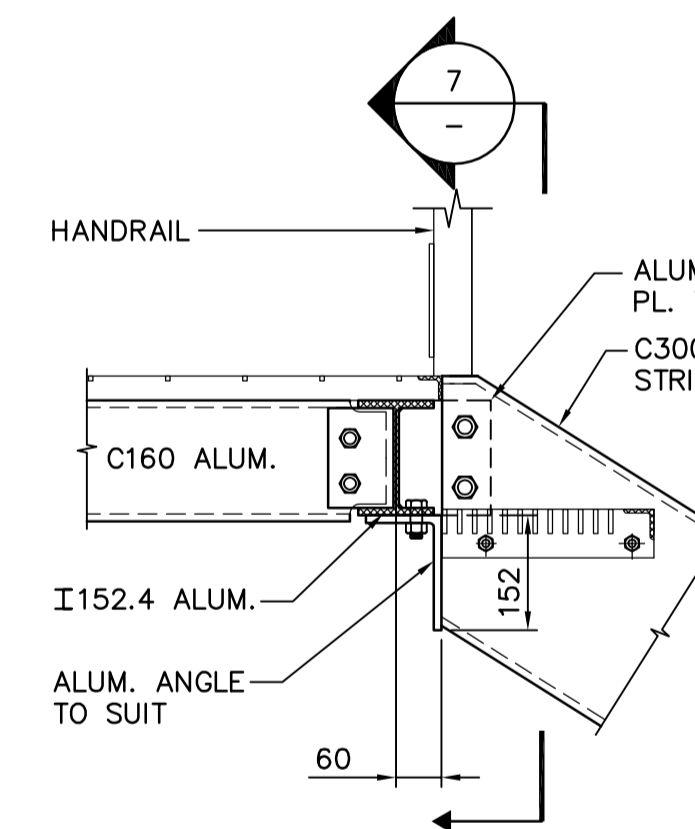


PLAN - STAIR No. 2  
1:50

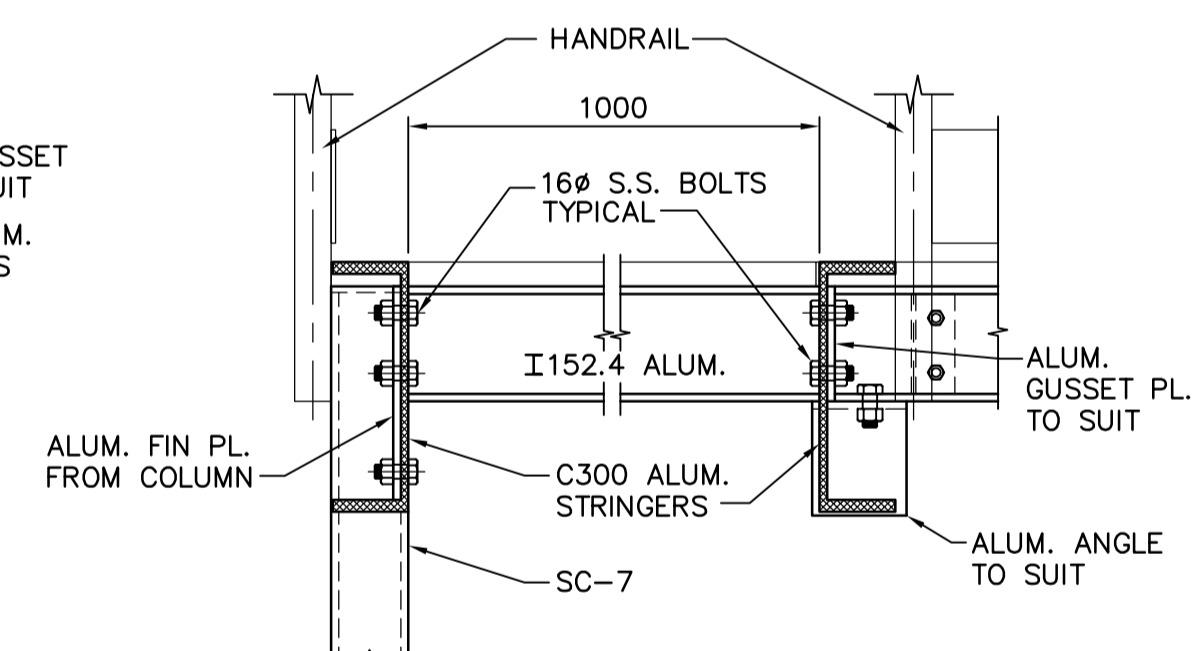
DESIGN LOADS:  
DEAD LOAD = 0.75 kPa  
LIVE LOAD = 4.8 kPa



SECTION 6  
1:50

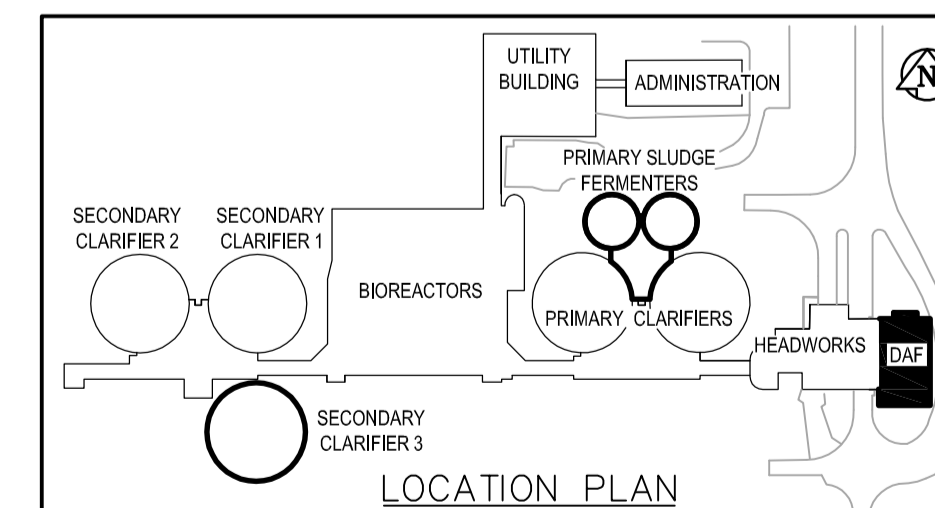


DETAIL B  
1:10



SECTION 7  
1:50

NOTE: TREAD GRATING NOT SHOWN.



LOCATION PLAN

**APEGM**  
Certificate of Authorization  
Earth Tech Canada Inc.  
No. 730 Expiry: April 30, 2006

B.M. ELEV.					
DESIGNED BY	ARA	CHECKED BY	LR		
DRAWN BY	NDH	APPROVED BY	JEH		
HOR. SCALE:	AS NOTED	RELEASED FOR CONSTRUCTION BY:	J. VEILLEUX		
VERTICAL SCALE:		DATE	2006/03/13	DATE	2006/04/26
NO. REVISIONS		DATE		DATE	
01	21-2006 ADDENDUM 3	06/05/19	WDB		
00	ISSUED FOR TENDER	06/04/26	CMF		

ENGINEER'S SEAL  
ORIGINAL SIGNED BY  
L.L. RIDING  
2006/04/26  
CONSULTANT DRAWING NO.  
TS6.02

**THE CITY OF WINNIPEG**  
WATER AND WASTE DEPARTMENT  
ENGINEERING DIVISION  
WEWPC  
BIOLOGICAL NUTRIENT REMOVAL UPGRADE  
CONTRACT 3  
STRUCTURAL  
AREA T - DAF THICKENER BUILDING  
STAIRS No. 1 AND 2 - PLAN, SECTIONS AND DETAILS  
CITY FILE NUMBER  
SHEET OF  
CITY DRAWING NUMBER