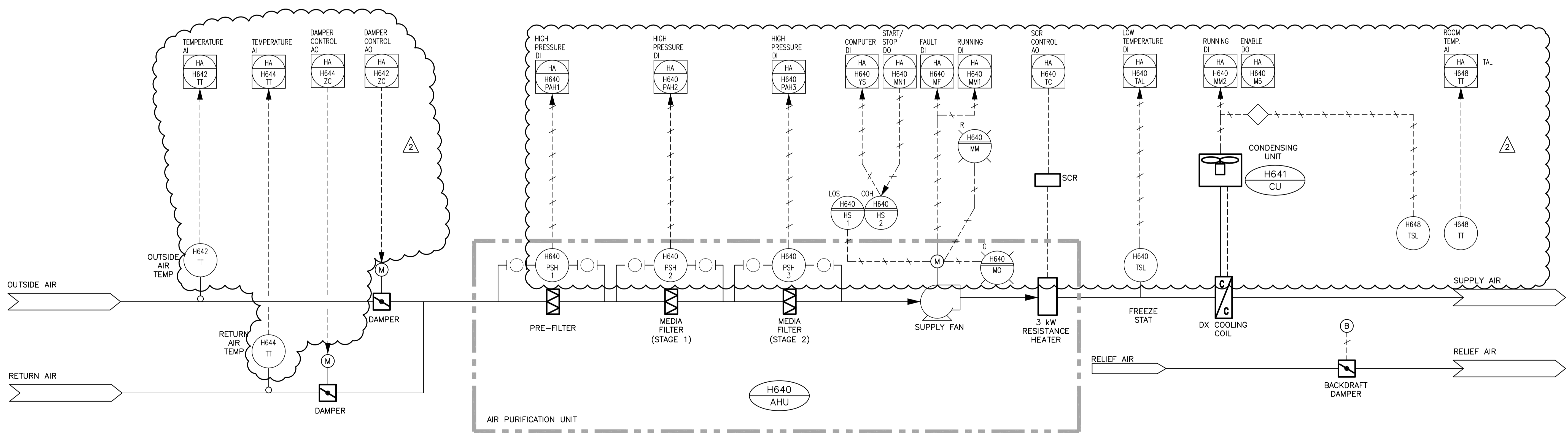


1 ELECTRICAL ROOM HEATING, COOLING AND VENTILATION UNIT T610-AHU  
LM4.08 SCALE NTS



2 CONTROL ROOM HEATING, COOLING AND VENTILATION UNIT H640-AHU  
LM4.08 SCALE NTS

**GENERAL NOTES**

- REFER TO PLANS FOR PIPE AND DUCT SIZES.
- REFER TO SPEC. SECTIONS 15900 FOR ADDITIONAL REQUIREMENTS.



B.M. ELEV.		 A Tyco International Ltd. Company		ENGINEER'S SEAL	
				ORIGINAL SIGNED BY A. BURACHYNSKY	
DESIGNED BY	AB/LJW	CHECKED BY	PVL	2006/04/26	
DRAWN BY	LJW	APPROVED BY	JEH	CONSULTANT DRAWING NO. LM4.08	
HOR. SCALE:	NTS	RELEASED FOR CONSTRUCTION BY: J. VEILLEUX		DATE 2006/01/04	
VERTICAL SCALE:				DATE 2006/04/26	
NO. REVISIONS		DATE	BY	DATE	

**THE CITY OF WINNIPEG**  
 WATER AND WASTE DEPARTMENT  
 ENGINEERING DIVISION

**WEWPC**  
 BIOLOGICAL NUTRIENT REMOVAL UPGRADE  
 CONTRACT 3

MECHANICAL  
 AREA L - GENERAL AND SITWORKS  
 HEATING, COOLING & VENTILATION SCHEMATICS

CITY FILE NUMBER  
 SHEET OF  
 CITY DRAWING NUMBER