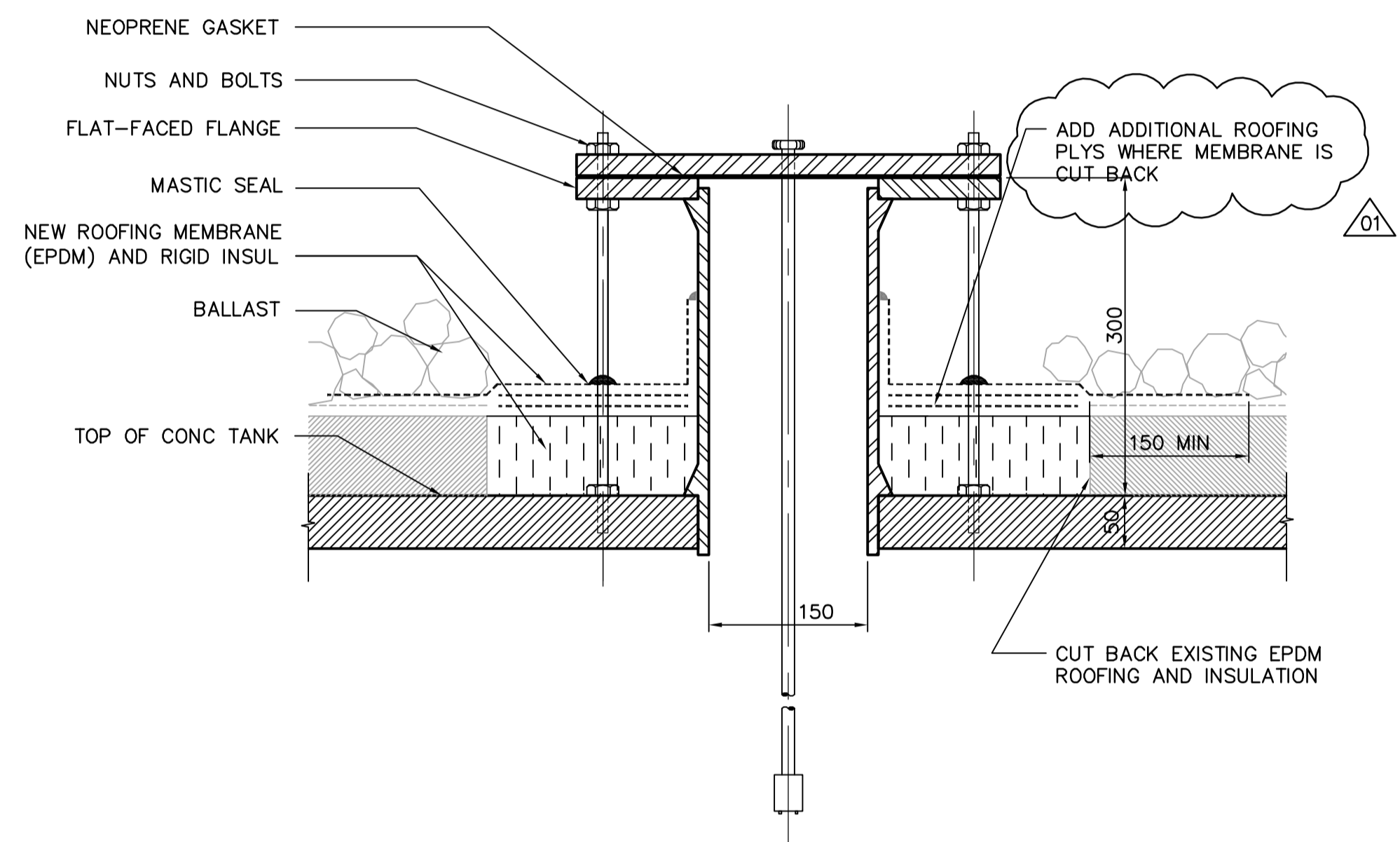
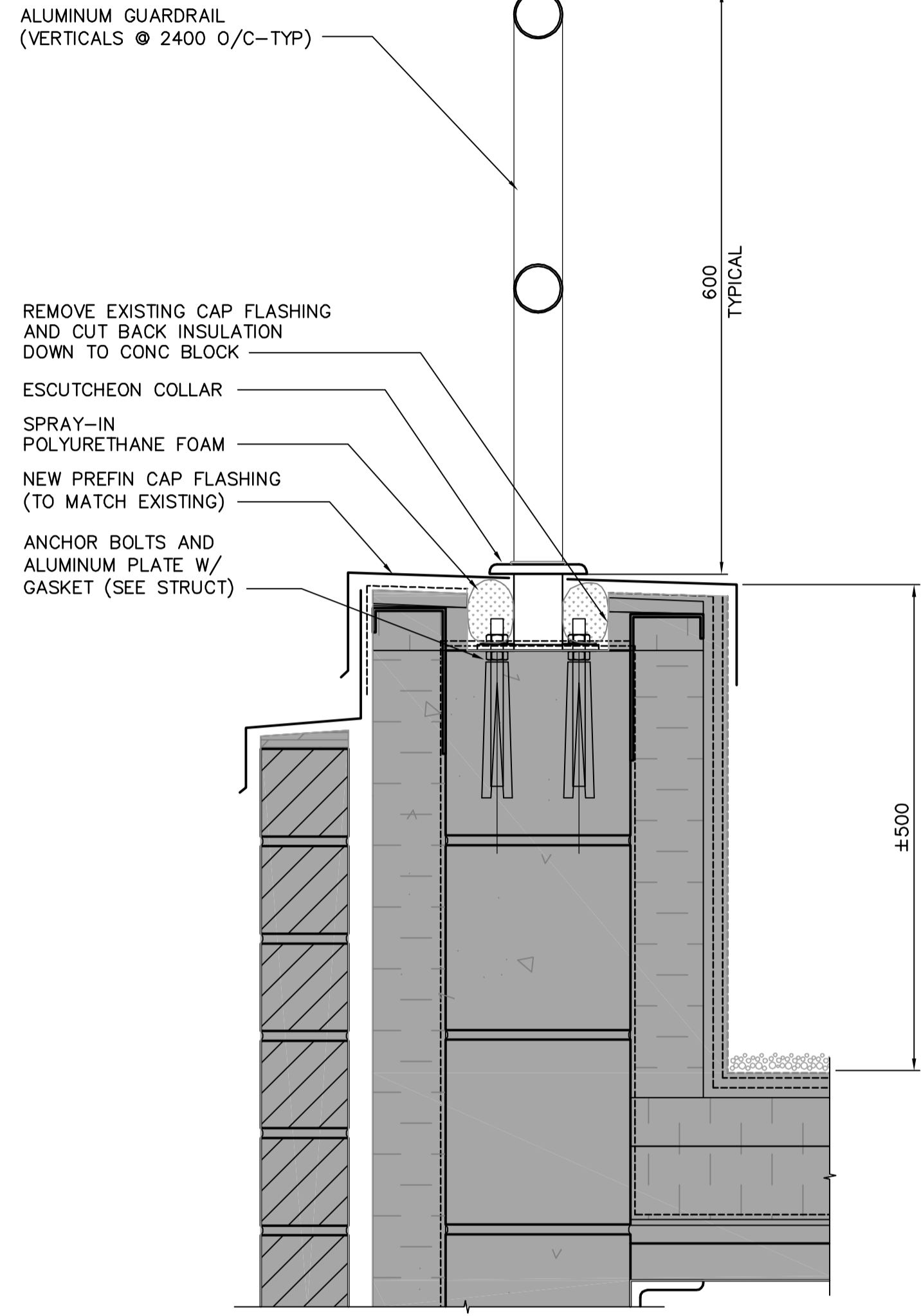


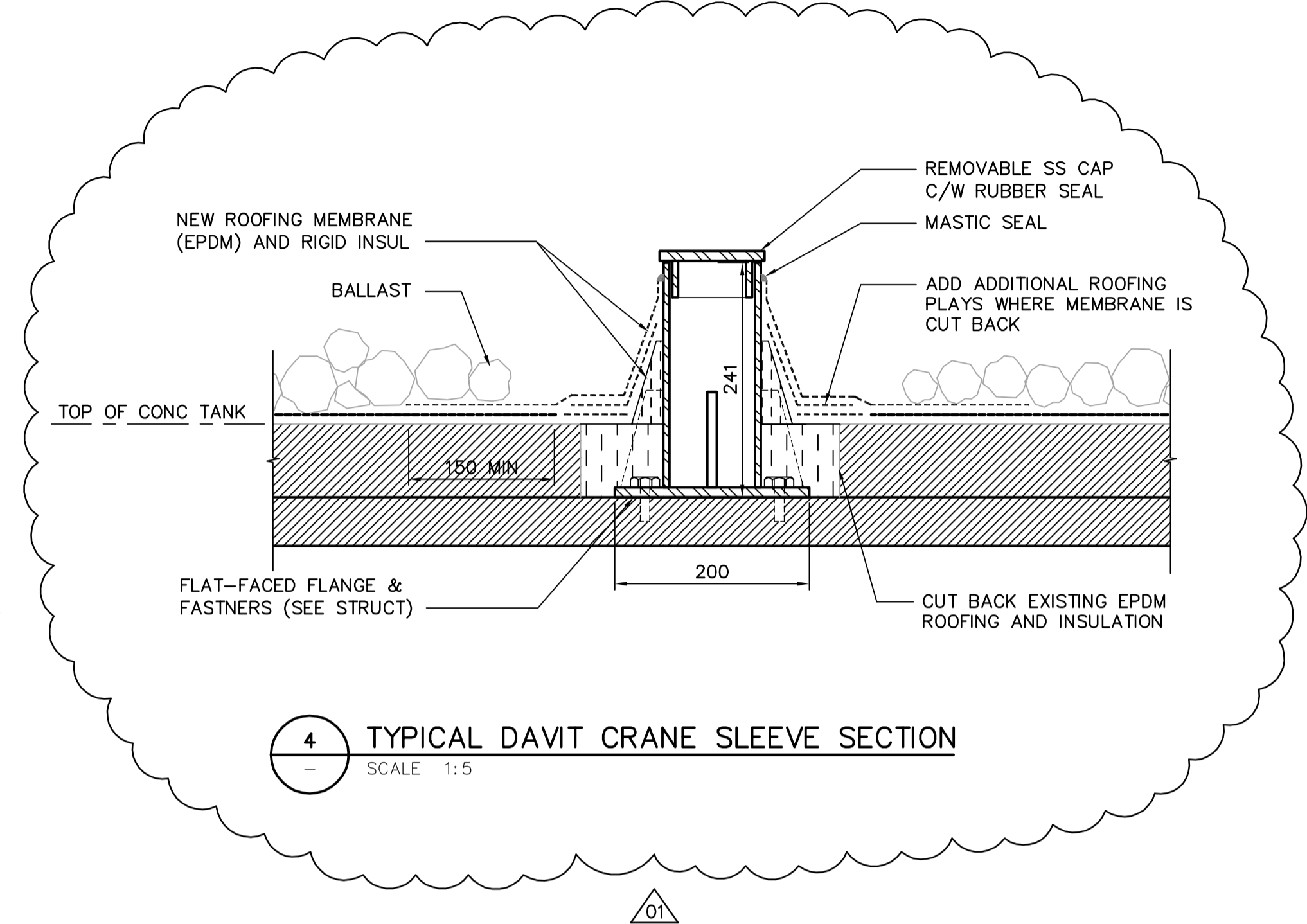
1 TYPICAL ACCESS HATCH SECTION
SA3.03 SCALE 1:10



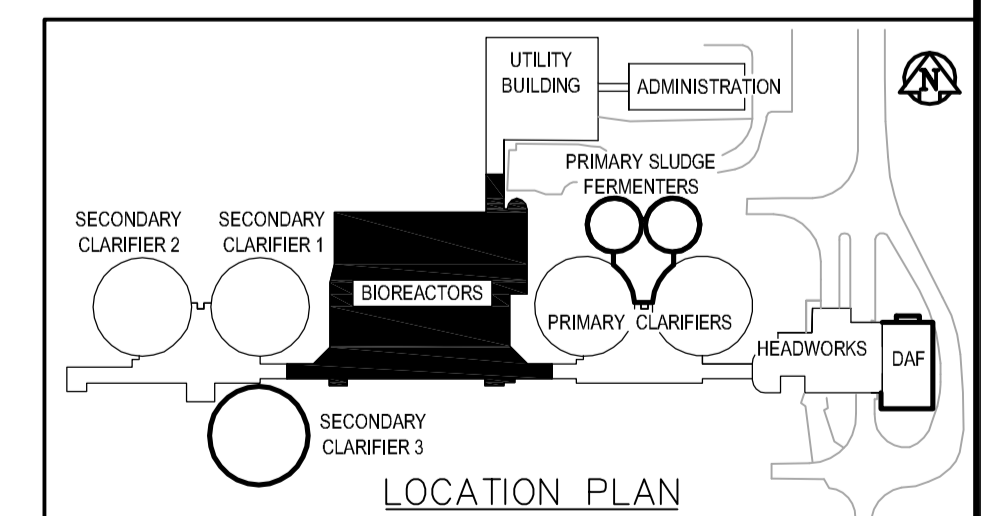
2 TYPICAL OXYGEN PROBE SECTION
SA3.03 SCALE 1:5



3 TYPICAL GUARDRAIL SECTION
SA3.01 SCALE 1:5



4 TYPICAL DAVIT CRANE SLEEVE SECTION
SCALE 1:5



B.M. ELEV.		 A Tyco International Ltd. Company		ENGINEER'S SEAL		 THE CITY OF WINNIPEG WATER AND WASTE DEPARTMENT ENGINEERING DIVISION	
				ORIGINAL SIGNED BY N. COOPER 2006/05/25			
DESIGNED BY	NC	CHECKED BY	NC	WEWPCC BIOLOGICAL NUTRIENT REMOVAL UPGRADE CONTRACT No. 3		CITY DRAWING NUMBER	
DRAWN BY	LK/AL	APPROVED BY	JEH	ARCHITECTURAL AREA 5 - BIOREACTORS DETAILS			
HOR. SCALE: AS NOTED VERTICAL SCALE:		RELEASED FOR CONSTRUCTION BY: J. VEILLEUX		CONSULTANT DRAWING NO. SA5.04			
NO.	REVISIONS	DATE	BY	DATE	2006/05/16	DATE	2006/05/25