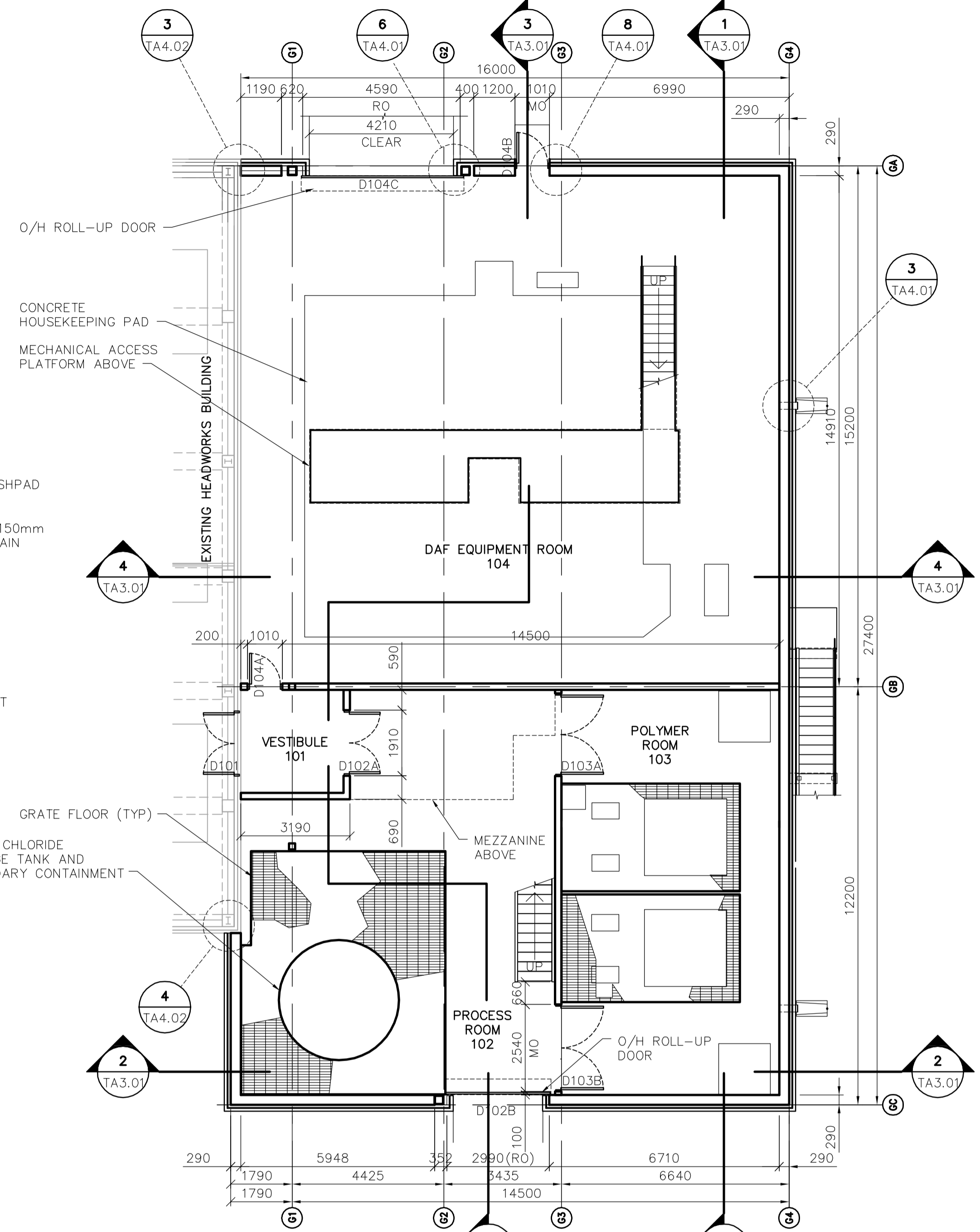
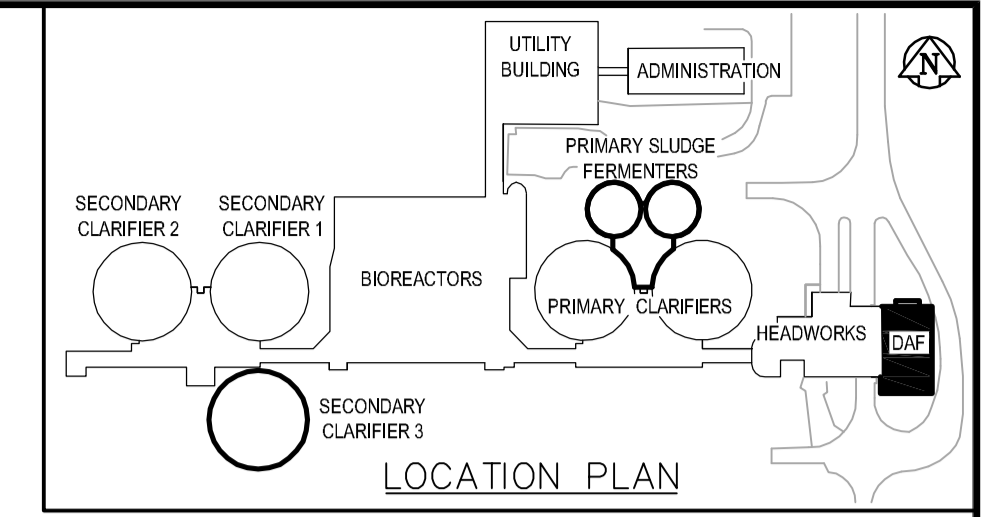


1 ROOF PLAN  
TA1.01 1:100

NOTE: SEE STRUCTURAL FOR STAIR CONSTRUCTION



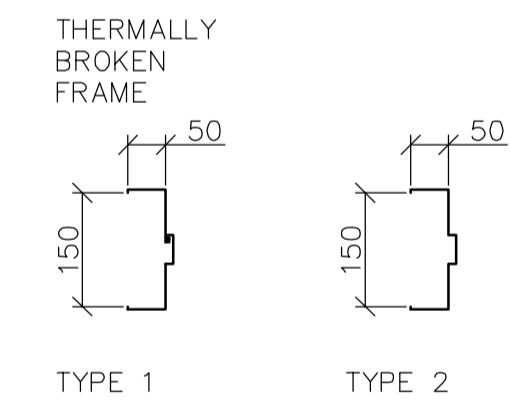
2 MAIN FLOOR PLAN  
TA1.01 1:100



**HARDWARE SCHEDULE**

GROUP	DOOR	ITEM	DESCRIPTION	QTY	UNIT		
GROUP 1	D101A, D102A	6	BUTT HINGES TA 314 115x100mm NRPmckINNEY	26D			
		1	LOCKSET AU5407 x ASA YALE (W/CONST CYLINDER)	26D			
		2	FLUSHBOLTS F65 STANDARD METAL	26D			
		2	WEATHERSTRIP W29 1/6 + 2/7 KN CROWDER	CA			
		2	DOOR SWEEP W24S - 900 & 600mm KN CROWDER	CA			
		1	THRESHOLD CT11 - 1800 KN CROWDER	CA			
		1	ASTRAGAL W40P - 2100 KN CROWDER	CA			
		1	KICKPLATE K10C STANDARD METAL	26D			
		1	CLOSER 4040 LCN	689			
		GROUP 2	D105B, D201B,	3	BUTT HINGES TA 314 115x100mm NRPmckINNEY	26D	
1	EXIT DEVICE 35A SERIES VON DUPRIN			626			
1	WEATHERSTRIP W29 1/3 + 2/7 KN CROWDER			CA			
1	DOOR SWEEP W24S - 900mm KN CROWDER			CA			
1	THRESHOLD CT11 - 900mm KN CROWDER			CA			
1	CLOSER 4040 LCN			689			
1	KICKPLATE K10C STANDARD METAL			26D			
BLANK (NO HARDWARE) ON EXTERIOR							
GROUP 3	D201 (RATED)			3	BUTT HINGES TA 314 115x100mm NRPmckINNEY	26D	
				1	LOCKSET AU5402 x ASA YALE (WITHOUT CYLINDER)	26D	
		1	WALL STOP S122 STANDARD METAL	26D			
		1	KICKPLATE K10F STANDARD METAL	26D			
		1	CLOSER 1461 LCN	689			
GROUP 4	D105A, D202	3	BUTT HINGES TA 314 115x100mm NRPmckINNEY	26D			
		1	LOCKSET AU5402 x ASA YALE (W/CONST CYLINDER)	26D			
		1	WALL STOP S122 STANDARD METAL	26D			
		1	KICKPLATE K10C STANDARD METAL	26D			
		1	CLOSER 4040 LCN	689			
GROUP 5	D103A, D103B	6	BUTT HINGES TA 314 115x100mm NRPmckINNEY	26D			
		1	LOCKSET AU5407 x ASA YALE (W/CONST CYLINDER)	26D			
		2	FLUSHBOLTS F65 STANDARD METAL	26D			
		2	DOOR SWEEP W24S - 900 & 600mm KN CROWDER	CA			
		1	ASTRAGAL W40P - 2100 KN CROWDER	CA			
		1	KICKPLATE K10C STANDARD METAL	26D			
		1	CLOSER 4040 LCN	689			

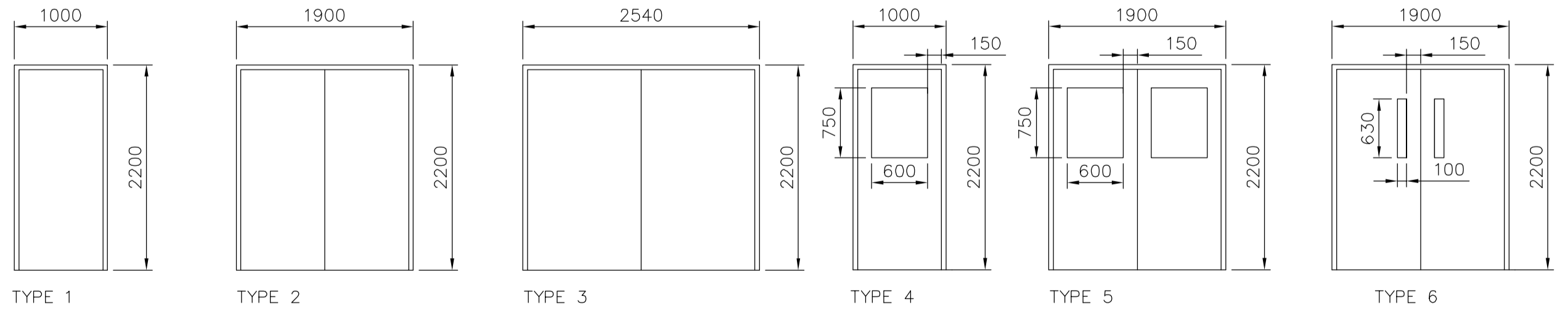
NOTE: ALL KICKPLATES TO BE MOUNTED ON PUSH SIDE



FRAME TYPES  
SCALE: 1:10

DOOR SCHEDULE																	
DOOR NO	TO ROOM	DOOR				FRAME				HWD GROUP	FIRE RATING	GRILLES	COMMENTS				
		SIZE	SWING	TYPE	MAT	CORE	FINISH	COLOUR	PROFILE					MAT	TYPE	FINISH	COLOUR
D101	VESTIBULE	45x900x2150	LHR	6	HM	HC	PT	A	2	HM	WLD	PT	A	1	N/A	N/A	LHR ACTIVE
D102A	PROCESS	45x900x2150	RHR	5	HM	HC	PT	A	2	HM	WLD	PT	A	1	N/A	N/A	LHR ACTIVE
D102B	PROCESS	50x3100x2700	O/H	N/A	METAL	INSUL	PREFIN	A	N/A	N/A	N/A	N/A	B	N/A	N/A	N/A	ROLL-UP PACKAGE
D103A	POLYMER	45x1220x2150	LH	3	HM	HC	PT	A	2	HM	WLD	PT	A	1	N/A	N/A	LHR ACTIVE
D103B	POLYMER	45x1220x2150	RH	3	HM	HC	PT	A	2	HM	WLD	PT	A	1	N/A	N/A	LHR ACTIVE
D104A	DAF EQUIPMENT	45x900x2150	LH	4	HM	HC	PT	A	2	HM	WLD	PT	A	1	N/A	N/A	
D104B	DAF EQUIPMENT	45x900x2150	RHR	1	HM	INSUL	PT	A	1	HM	WLD	PT	A	2	N/A	N/A	
D104C	DAF EQUIPMENT	50x4700x4200	O/H	N/A	METAL	INSUL	PREFIN	A	N/A	N/A	N/A	N/A	B	N/A	N/A	N/A	ROLL-UP PACKAGE

FINISH SCHEDULE																					
ROOM NO	ROOM NAME	FLOOR				WALLS								CEILING	COMMENTS						
		FLOORING		BASE		NORTH		EAST		SOUTH		WEST									
		MAT	COLOUR	MAT	COL	MAT	FINISH	COLOUR	MAT	FINISH	COLOUR	MAT	FINISH			COLOUR	MAT	FINISH	COLOUR	MGT	AFF
101	VESTIBULE	EPOXY	A	EPXY COV	A	CB	PT	C	CB	PT	C	CB	PT	C	CB	PT	C	METAL	PT	D.GRAY	2900
102	PROCESS	EPOXY	A	EPXY COV	A	CB	PT	C	CB	PT	C	CB	PT	C	CB	PT	C	METAL	PT	D.GRAY	/-8150
103	POLYMER	EPOXY	A	EPXY COV	A	CB	PT	C	CB	PT	C	CB	PT	C	CB	PT	C	METAL	PT	D.GRAY	4100
104	DAF EQUIPMENT	EPOXY	A	EPXY COV	A	CB	PT	C	CB	PT	C	CB	PT	C	CB	PT	C	METAL	PT	D.GRAY	/-8150



DOOR TYPES  
SCALE: 1:50

B.M. ELEV. DESIGNED BY: NC DRAWN BY: LK/AL NO. REVISIONS: 02 DATE: 2006/01/03	A Tyco International Ltd. Company CHECKED BY: NC APPROVED BY: JEH DATE: 2006/04/26	ENGINEER'S SEAL ORIGINAL SIGNED BY: N. COOPER DATE: 2006/04/26 CONSULTANT DRAWING NO. TA1.01	THE CITY OF WINNIPEG WATER AND WASTE DEPARTMENT ENGINEERING DIVISION WEWPCC BIOLOGICAL NUTRIENT REMOVAL UPGRADE CONTRACT No. 3 ARCHITECTURAL AREA T - DAF THICKENER BUILDING ROOF PLAN, FLOOR PLANS, & SCHEDULES	CITY FILE NUMBER SHEET 1 OF 6 CITY DRAWING NUMBER		
					02 21-2006 ADDENDUM 4 06/06/02 LK 01 21-2006 ADDENDUM 3 06/05/25 LK 00 ISSUED FOR TENDER 06/04/26 LK	RELEASED FOR CONSTRUCTION BY: J. VEILLEUX DATE: 2006/04/26

