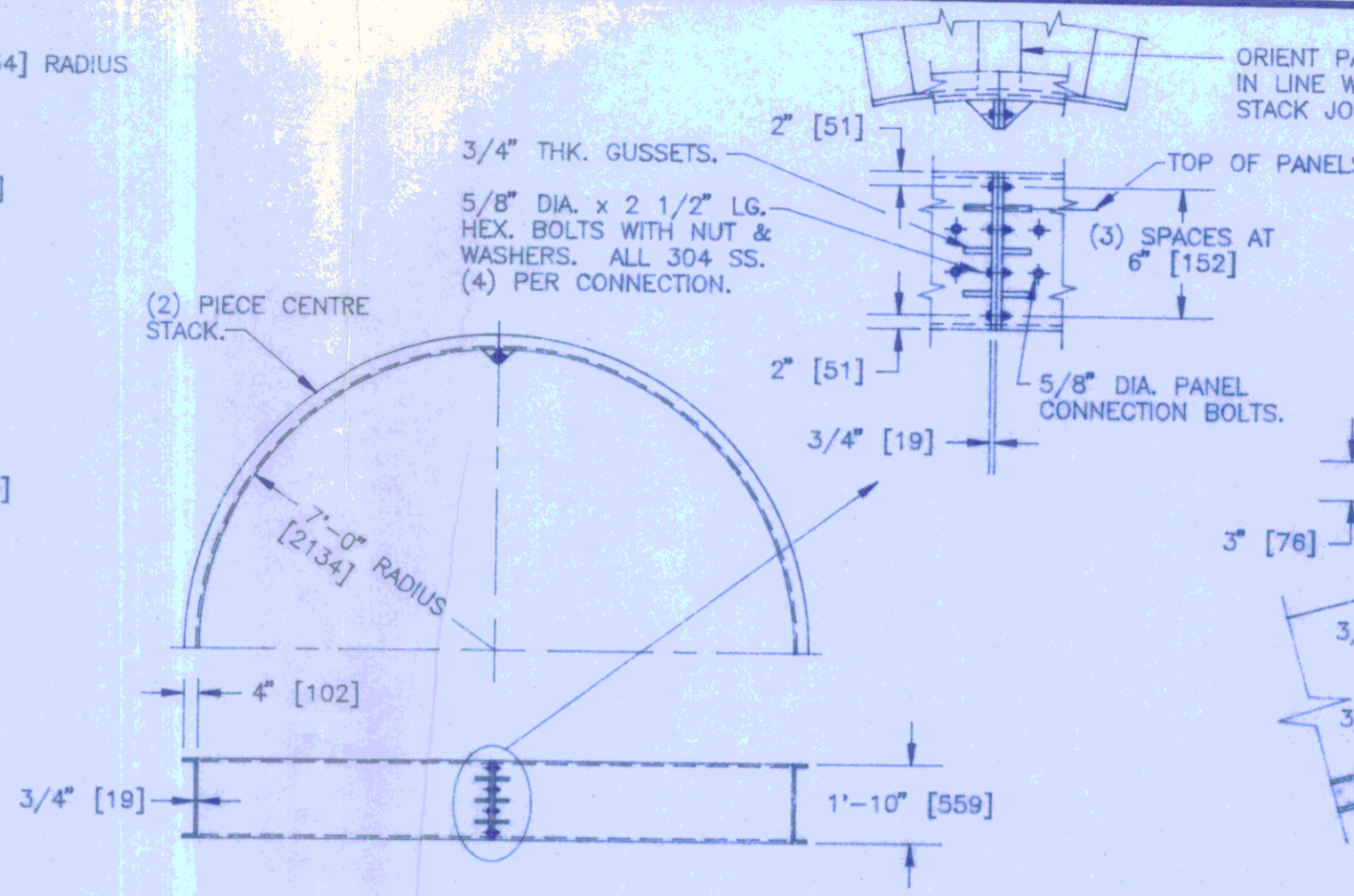
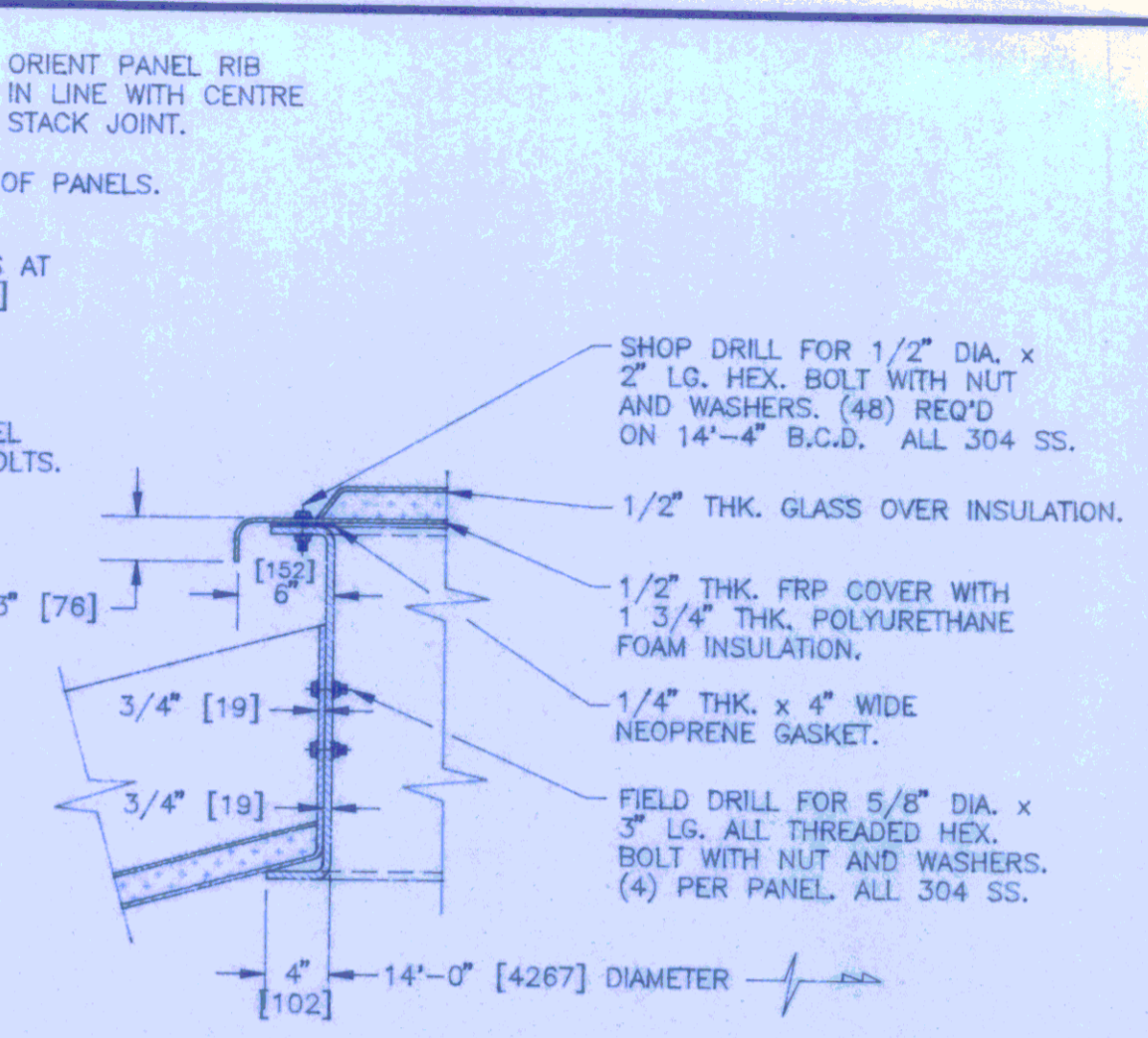


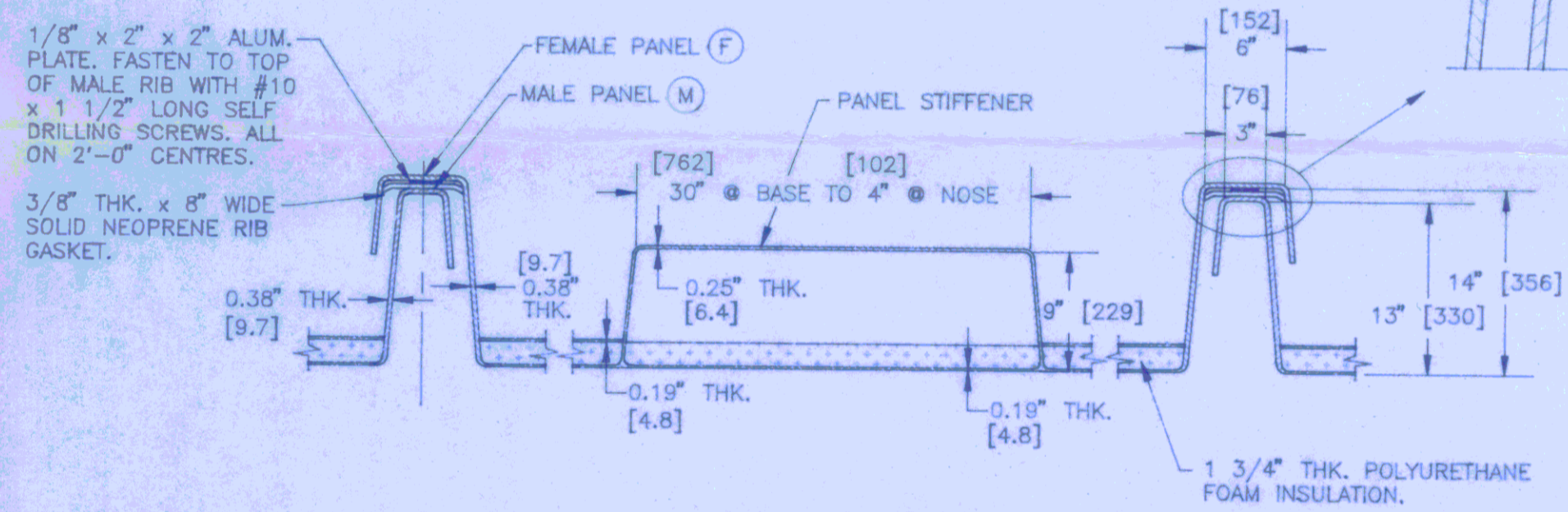
**-COVER ELEVATION-**  
SCALE 1/8"=1'-0"



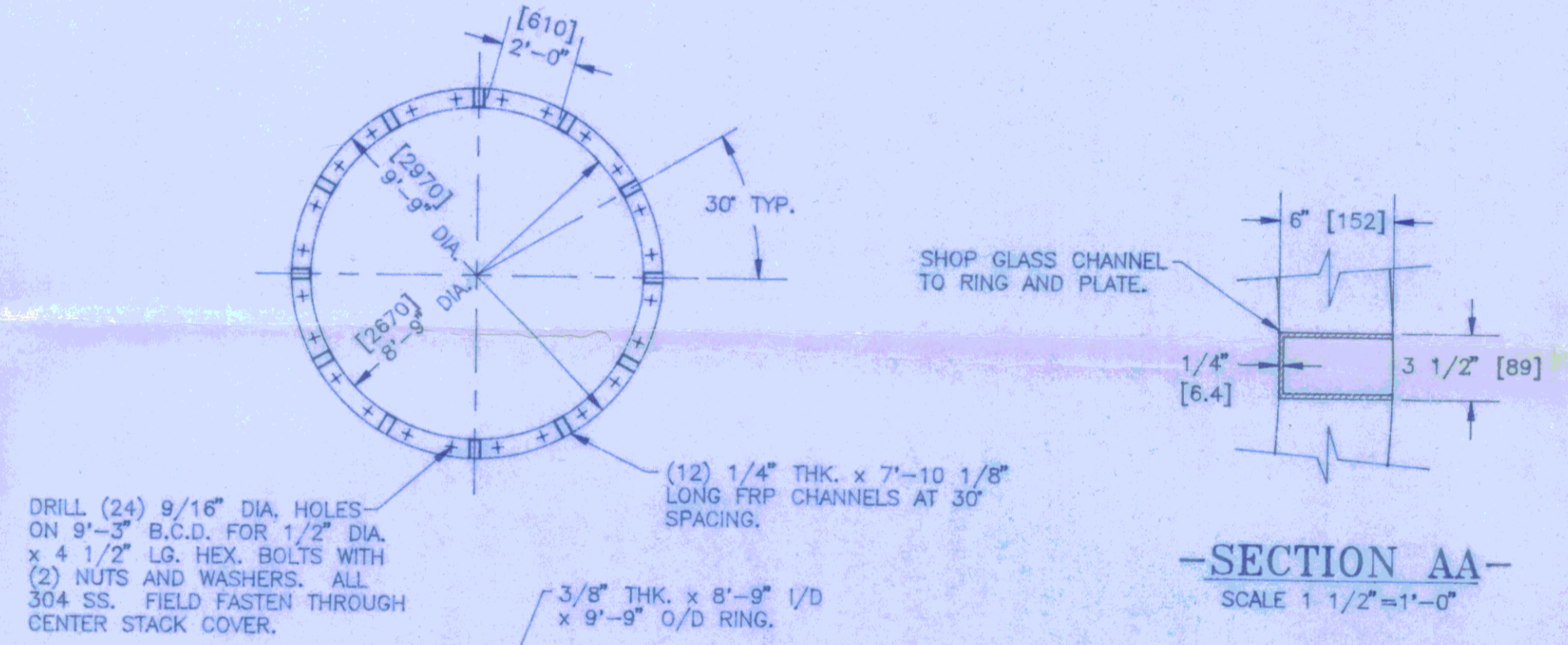
**-CENTRE STACK ASSEMBLY-**  
SCALE 1/4"=1'-0"



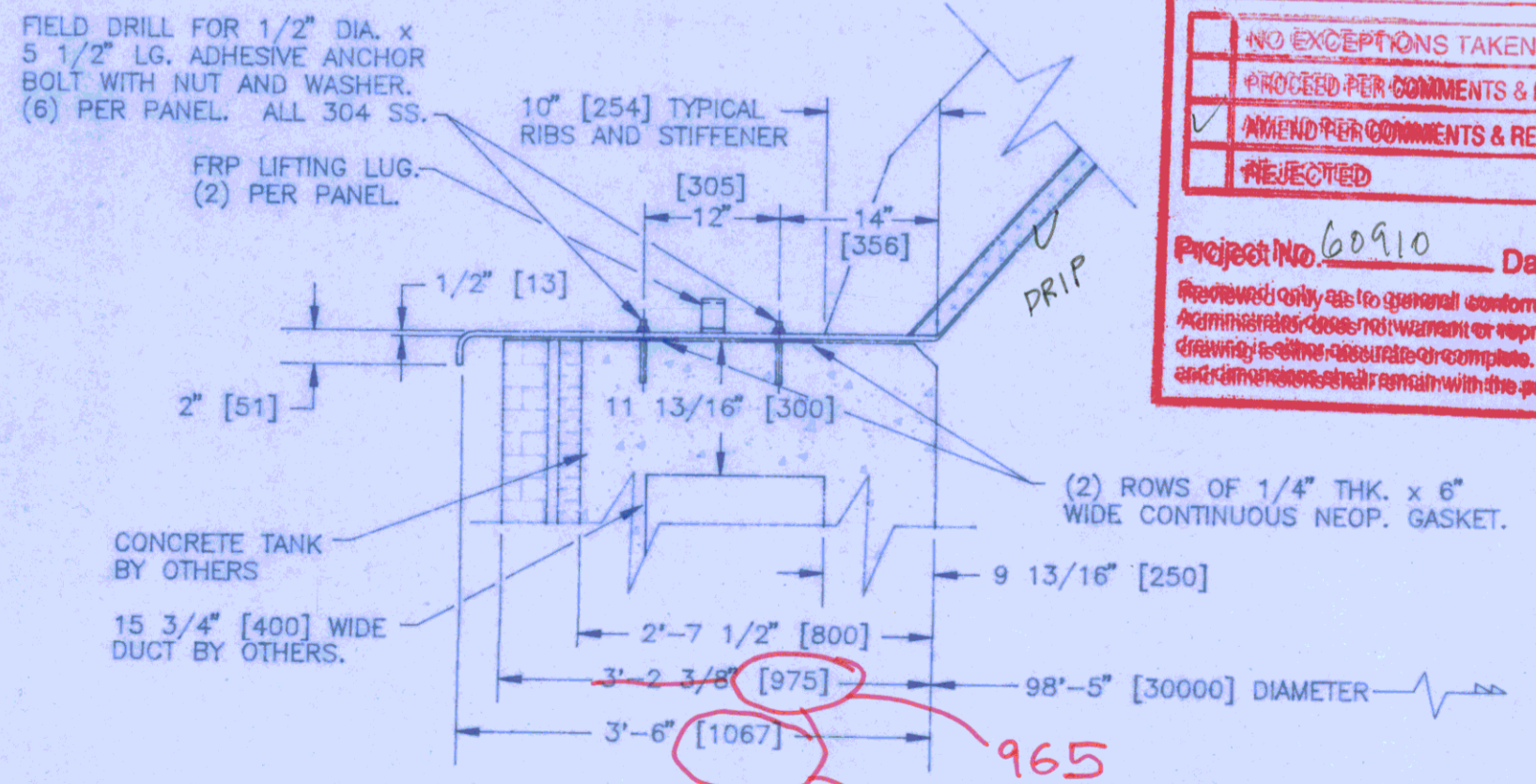
**-NOSE CONNECTION DETAIL-**  
SCALE 1"=1'-0"



**-PANEL SECTION-**  
SCALE 1"=1'-0"



**-SECTION AA-**  
SCALE 1 1/2"=1'-0"



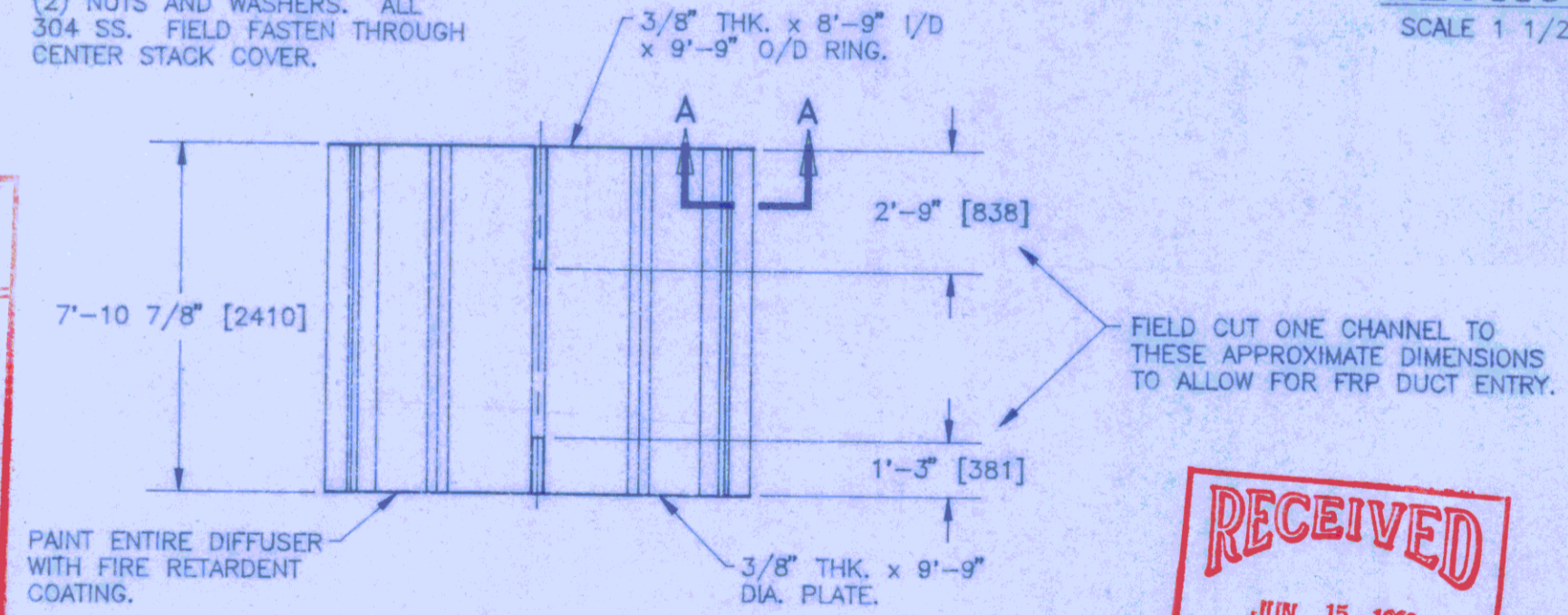
**-BASE CONNECTION DETAIL-**  
SCALE 3/4"=1'-0"

**WEST END WATER POLLUTION CONTROL CENTRE**  
**RED CROWTHER & PARTNERS LIMITED**  
CONSULTING ENGINEERS AND PLANNERS

NO EXCEPTIONS TAKEN  
PROCEED PER COMMENTS & RESUBMIT  
AMEND PER COMMENTS & RESUBMIT  
REJECTED

Project No. 60910 Date: July 26/92 By: Cm

Reviewed only as to general conformity with the design concept. The Contract Administrator does not warrant or represent that the information contained on this drawing is true, accurate or complete. Sole responsibility for correct design, details and dimensions shall remain with the party submitting the drawing.



**-FRP DIFFUSER DETAILS-**  
SCALE 1/4"=1'-0"

**RECEIVED**  
JUN 15 1992  
R. C. & P. LTD.

NOTE:  
SEE DRAWING CBF-0226 FOR GENERAL NOTES.

THIS DOCUMENT IS THE PROPERTY OF CANBAR INC. AND SHALL NOT BE REPRODUCED, COPIED OR MADE AVAILABLE TO OTHERS WITHOUT PRIOR WRITTEN CONSENT OF CANBAR INC.

NO.	DATE	REVISION	BY
<b>CANBAR INC.</b> - WATERLOO ONTARIO CANADA -			
DIVISION PLASTICS AND COMPOSITES		SCALE SHOWN	DATE APR 28/92
TITLE (4) 98'-5" DIA. FRP DOME COVER DETAILS		DRN BY SPB	CH'D BY
CUSTOMER THE CITY OF WINNIPEG - WEST END W.P.C.C.		DRWG. NO. CBF-0227	

965  
102 overhang seems large?

Stamp