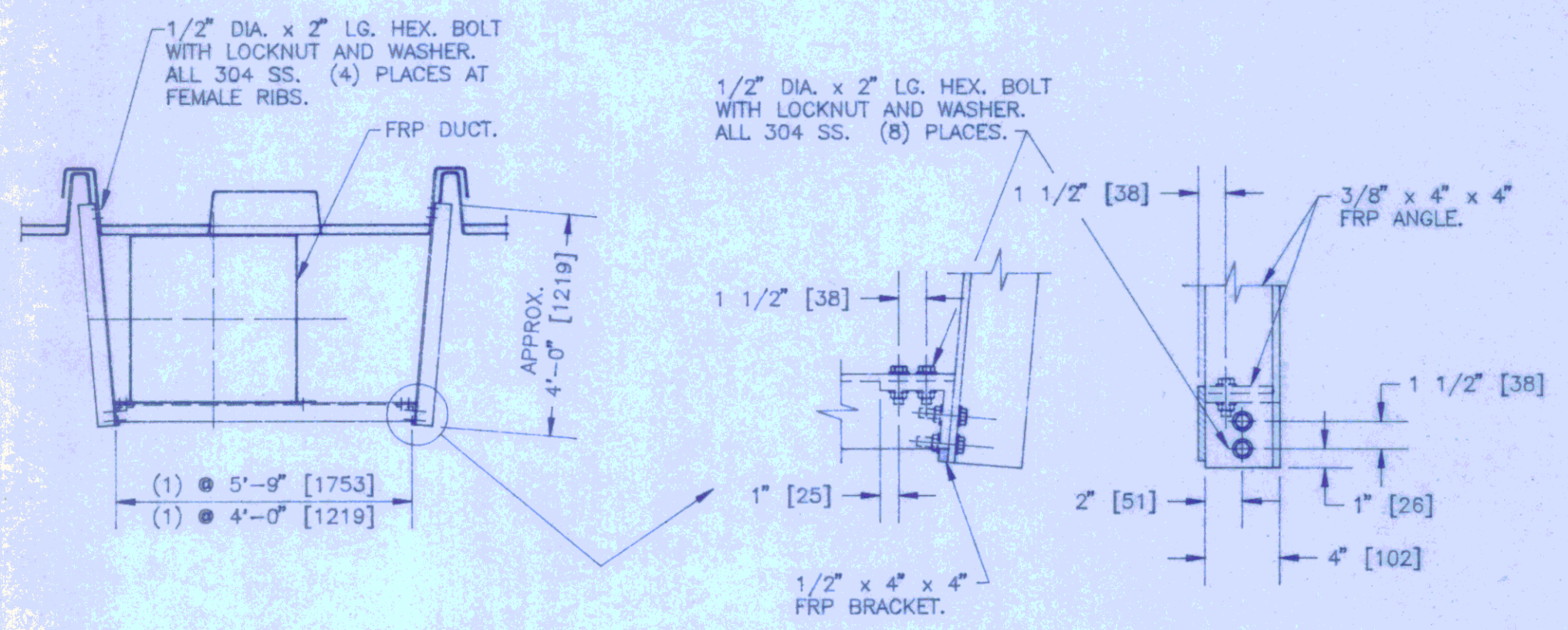
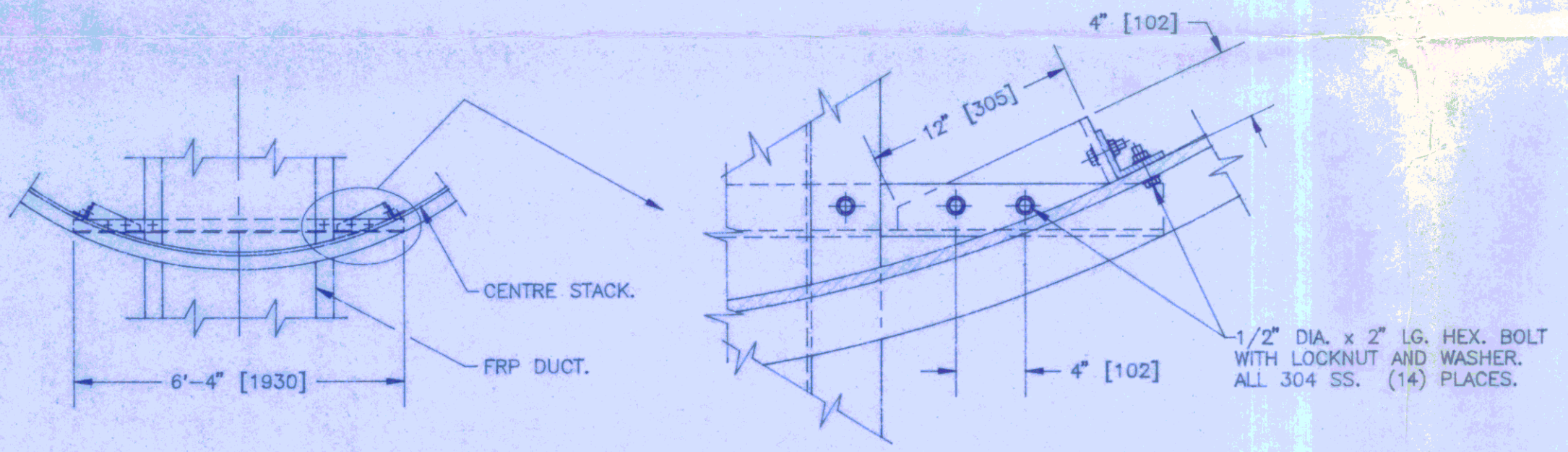


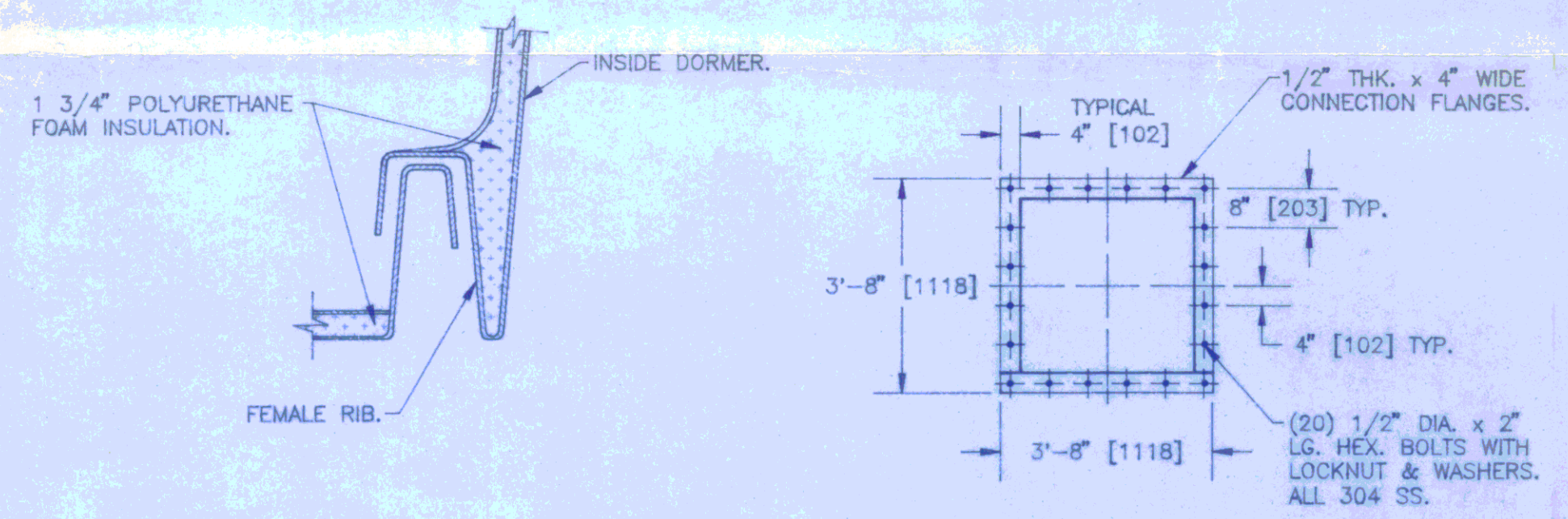
-SECTION CC-
SCALE 3/8"=1'-0"
TYPICAL (1) PLACE



-SECTION DD-
SCALE 3/8"=1'-0"
TYPICAL (2) PLACES



-SECTION EE-
SCALE 3/8"=1'-0"
TYPICAL (1) PLACE



-SECTION FF-
SCALE 1"=1'-0"
TYPICAL AT RIB FOR BOTH DORMERS

-SECTION GG-
SCALE 3/8"=1'-0"

STAMP

RECEIVED
JUN 15 1992
R. C. & P. LTD.

WEST END WATER POLLUTION CONTROL CENTRE
REID CROWTHER & PARTNERS LIMITED
CONSULTING ENGINEERS AND PLANNERS



NO EXCEPTIONS TAKEN
PROCEED PER COMMENTS & RESUBMIT
<input checked="" type="checkbox"/> AMEND PER COMMENTS & RESUBMIT
REJECTED

Project No. 60910 Date July 26/92 By lsm

We warrant only as to general conformity with the design concept. The Contract Administrator does not warrant or represent that the information contained on this drawing is accurate or complete. Sole responsibility for correct design, details and construction shall remain with the party submitting the drawing.

NOTE:
SEE DRAWING CBF-0226 FOR GENERAL NOTES.

THIS DOCUMENT IS THE PROPERTY OF CANBAR INC. AND SHALL NOT BE REPRODUCED, COPIED OR MADE AVAILABLE TO OTHERS WITHOUT PRIOR WRITTEN CONSENT OF CANBAR INC.

NO.	DATE	REVISION	BY
 CANBAR INC. - WATERLOO ONTARIO CANADA - 			
DIVISION PLASTICS AND COMPOSITES		SCALE SHOWN	DATE JUNE 4/92
TITLE (4) 98'-5" DIA. FRP DOME COVER DETAILS		DRN. BY SPB	CH'D BY
CUSTOMER THE CITY OF WINNIPEG - WEST END W.P.C.C.		DRWG NO CBF-0228A/0	