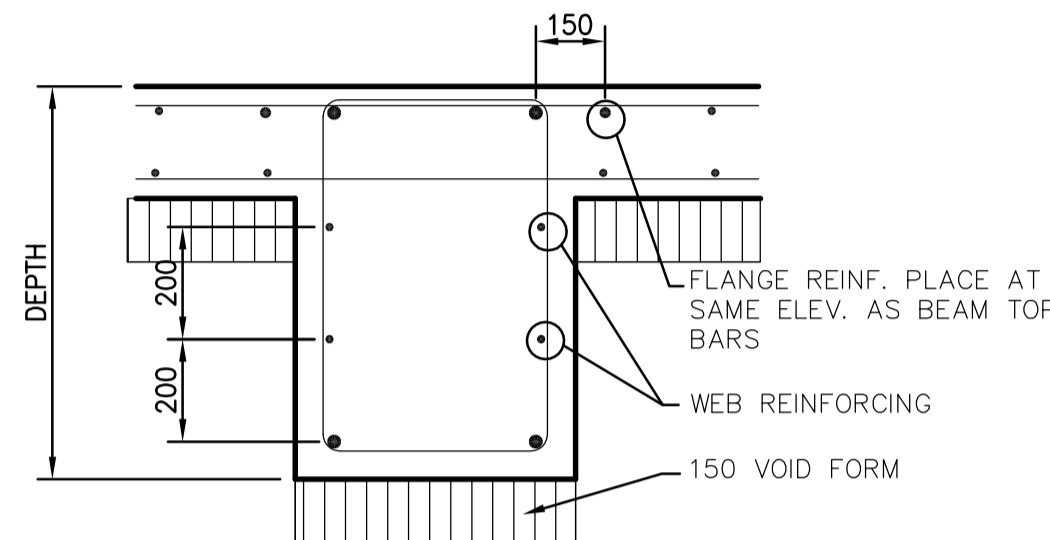


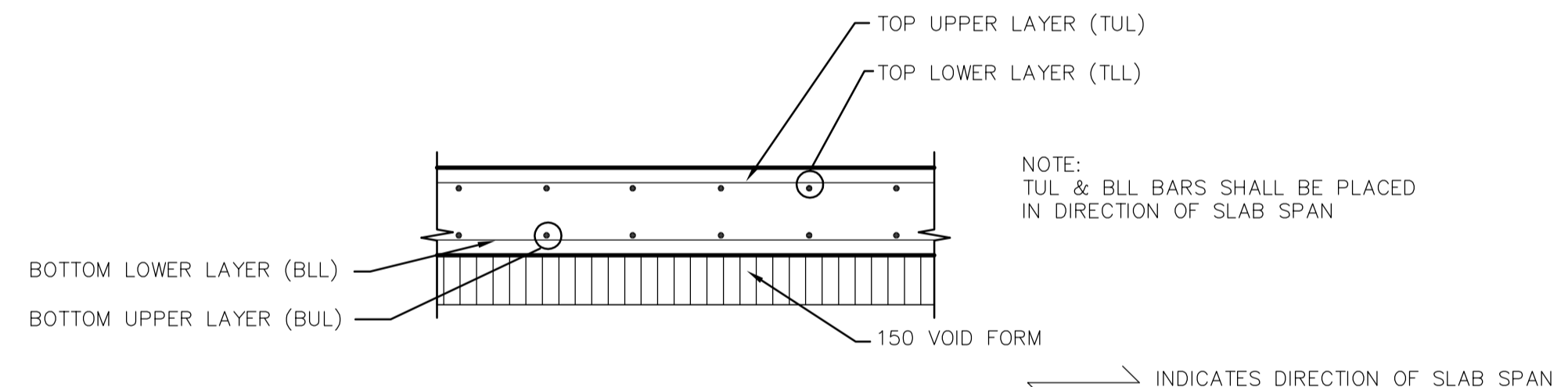
NOTE:  
SEE DRAWING FS2.03 FOR WALL SCHEDULE

CONCRETE GRADE BEAM SCHEDULE – FERMENTERS								
MARK	WIDTH	DEPTH	REINFORCING				STIRRUPS	REMARKS
			TOP	FLANGE	WEB	BOTTOM		
GB-101	300	700	2-25M	1-20M E.S.	2-15M E.F.	2-25M	10M @ 300 o/c	EXTEND TOP BARS 1200 INTO SLAB @ NORTH END OF BEAM
GB-102	300	700	3-25M	1-20M E.S.	2-15M E.F.	3-25M	10M @ 300 o/c	
GB-103	500	700	3-25M	1-20M	2-15M E.F.	3-25M	10M @ 300 o/c	
GB-104	500	700	4-25M	1-20M E.S.	2-15M E.F.	4-25M	10M @ 300 o/c	
GB-105	500	700	3-25M	1-20M	2-15M E.F.	3-25M	10M @ 300 o/c	SEE B/FS5.01 FOR INCREASED TOP COVER
GB-106	700	700	5-25M	1-20M	2-15M E.F.	5-25M	10M @ 300 o/c	



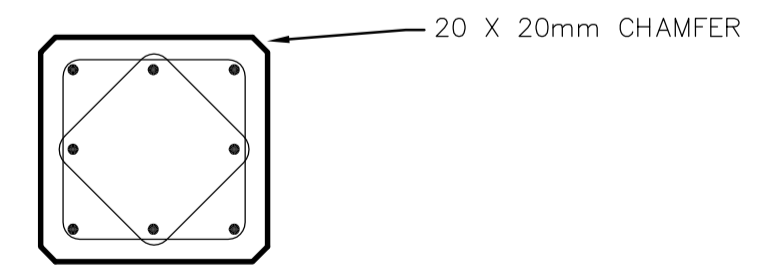
CONCRETE GRADE BEAM REINFORCING DETAIL

CONCRETE SLAB SCHEDULE – FERMENTERS					
MARK	DEPTH	REINFORCING			REMARKS
		TOP	BOTTOM	ADDITIONAL	
SL-101	200	15M @ 300 O.C. E.W.	15M @ 300 O.C. E.W.	SEE PLAN	
SL-102	450	20M @ 200 O.C. E.W.	20M @ 200 O.C. E.W.		

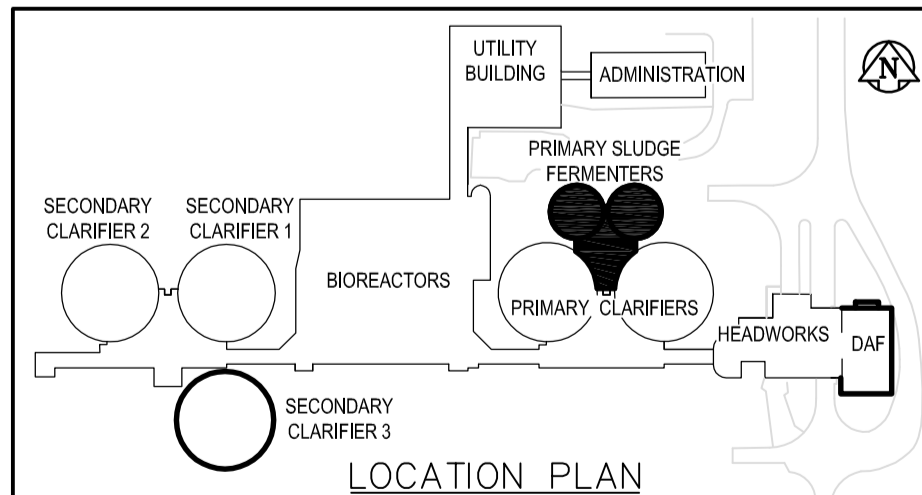


CONCRETE FLOOR SLAB DETAIL

CONCRETE COLUMN SCHEDULE – FERMENTERS					
MARK	SIZE	REINFORCING			REMARKS
		VERT	TIES	DOWELS	
CC-1	400 X 400	8-20M	10M @ 200 O.C.	8-20M HOOKED DOWELS TO GRADE BEAM, PROJECT 1000 INTO COLUMN	



CONCRETE COLUMN DETAIL



LOCATION PLAN

FOUNDATION FRAMING PLAN  
SCALE : 1:100

GALLERY FLOOR DESIGN LOADS  
DL = STRUCTURE SELF WEIGHT  
LL = 12.0 kPa

FERMENTER TANK BASE SLAB DESIGN LOADS  
DL = STRUCTURE SELF WEIGHT  
LL = LIQUID IN TANK @ ELEV 243.500

SOIL DESIGN PARAMETERS  
SOIL UNIT WEIGHT = 21.0 kN/m<sup>3</sup>  
EARTH PRESSURE COEFFICIENT = 0.5  
EXTERIOR GRADE @ ELEV = 242.600

FERMENTER TANK & GALLERY WALLS DESIGNED FOR UNDRAINED SOIL CONDITION AT ULTIMATE AND SERVICEABILITY LIMIT STATES

- KEYNOTES:
- 1 1025 X 762 X 2500 DEEP SUMP. SEE STANDARD DETAILS.
  - 2 762 X 762 HATCH. SEE STANDARD DETAILS.
  - 3 DAVIT - SEE STANDARD DETAILS. PROVIDE 300 SLAB THICKENING 200mm ALL AROUND DAVIT EMBED.



EarthTech A Tyco International Ltd. Company			
DESIGNED BY	CJG	CHECKED BY	CJG
DRAWN BY	NV	APPROVED BY	JEH
HOR. SCALE:	AS NOTED	RELEASED FOR CONSTRUCTION BY:	J. VEILLEUX
VERTICAL SCALE:		DATE	2006/04/26
NO. REVISIONS	DATE	BY	DATE
01	21-2006 ADDENDUM 6	06/06/30	CMF
00	ISSUED FOR TENDER	06/04/26	NV

ENGINEER'S SEAL  
ORIGINAL SIGNED BY  
C.J. GENTILE  
2006/04/25  
CONSULTANT DRAWING NO.  
FS2.02

**THE CITY OF WINNIPEG**  
WATER AND WASTE DEPARTMENT  
ENGINEERING DIVISION

**WEWPCC**  
BIOLOGICAL NUTRIENT REMOVAL UPGRADE  
CONTRACT No. 3

STRUCTURAL  
AREA F – PRIMARY SLUDGE FERMENTERS  
FOUNDATION FRAMING PLAN

CITY FILE NUMBER  
SHEET OF  
CITY DRAWING NUMBER