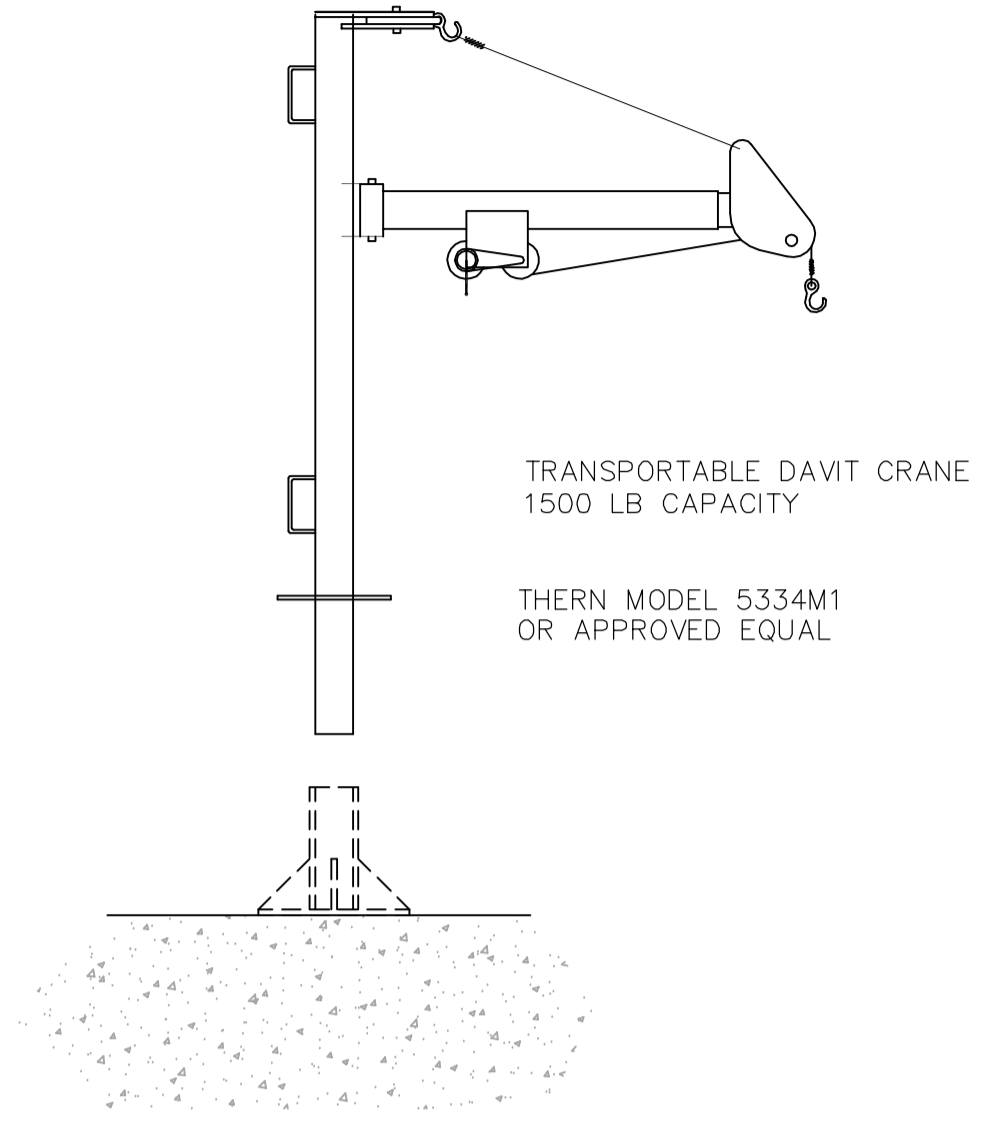
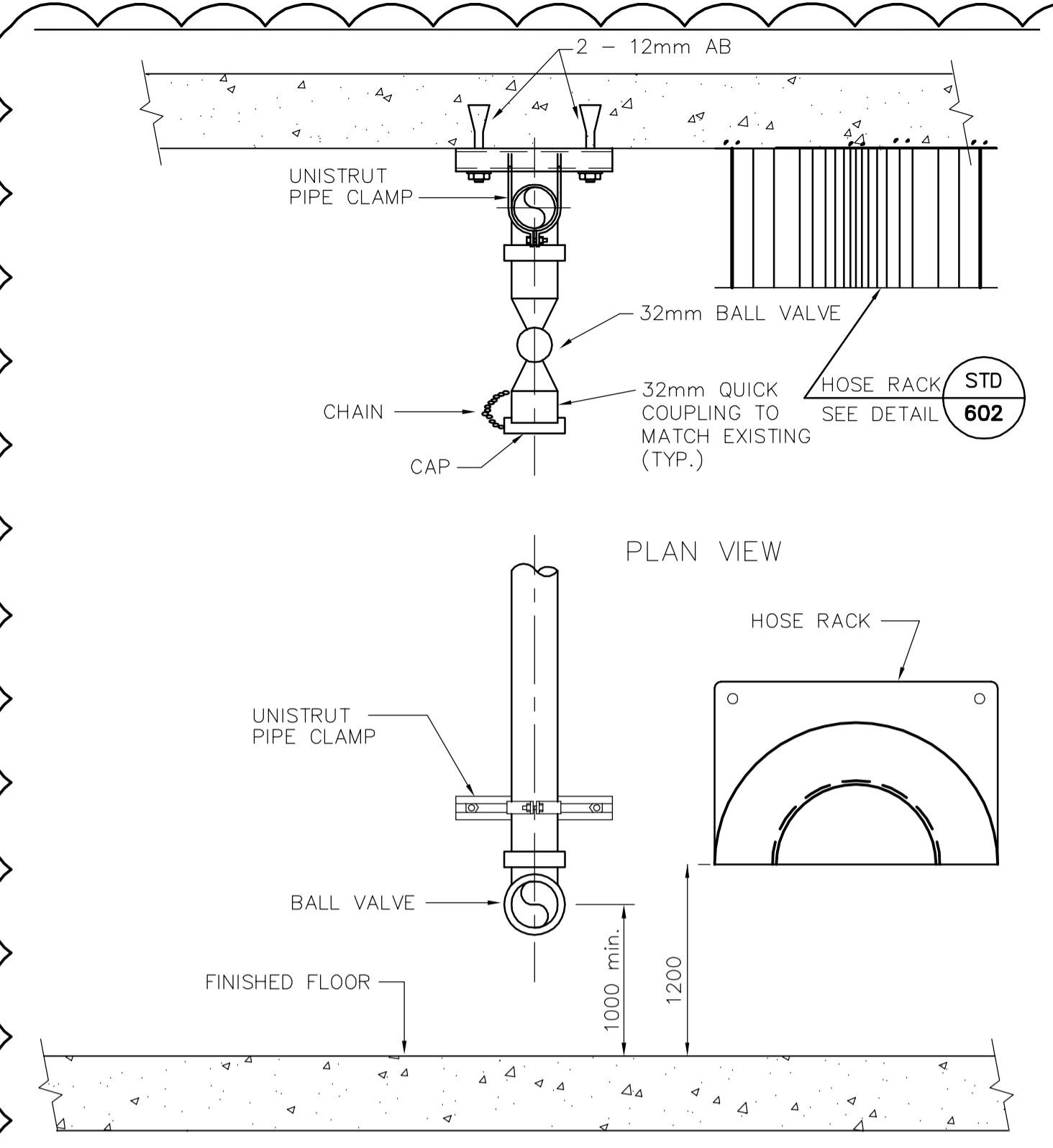


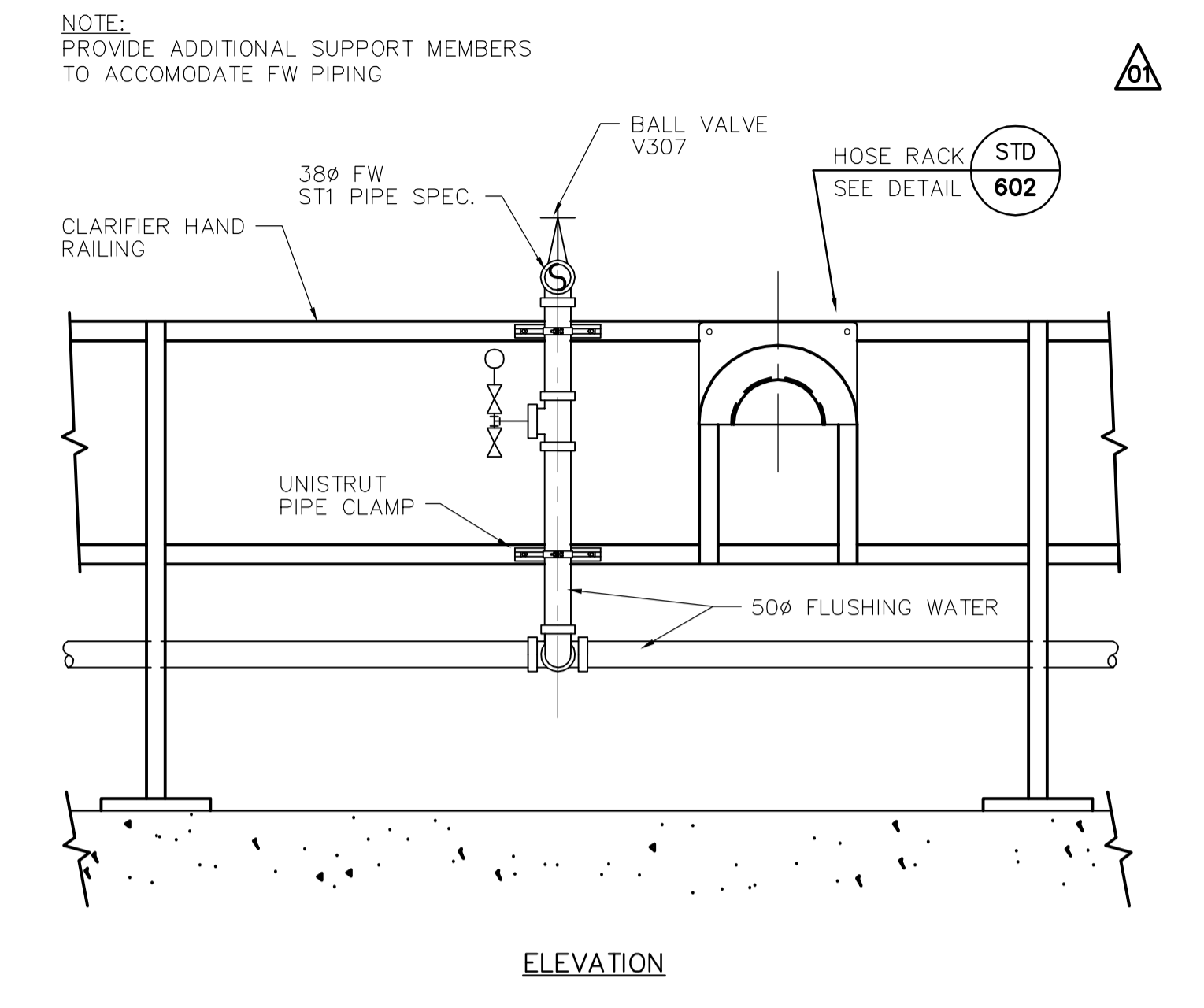
STD 602 TYPE S HOSE RACK



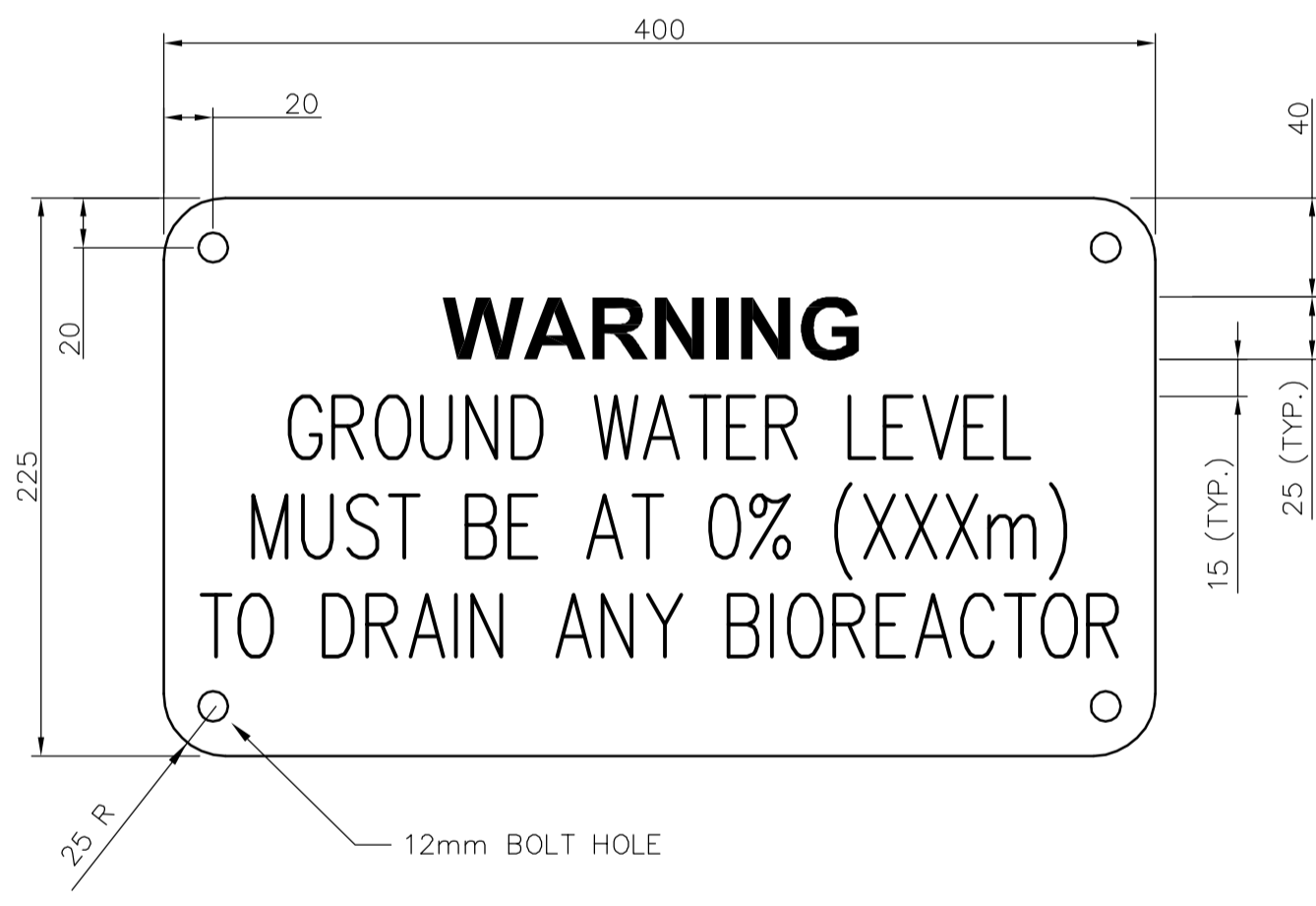
STD 611 TYPE E TUNNEL MOUNTED UTILITY STATION CONFIGURATION



STD 626 TYPE 3 - HOSE STATION (WALL MOUNTED)

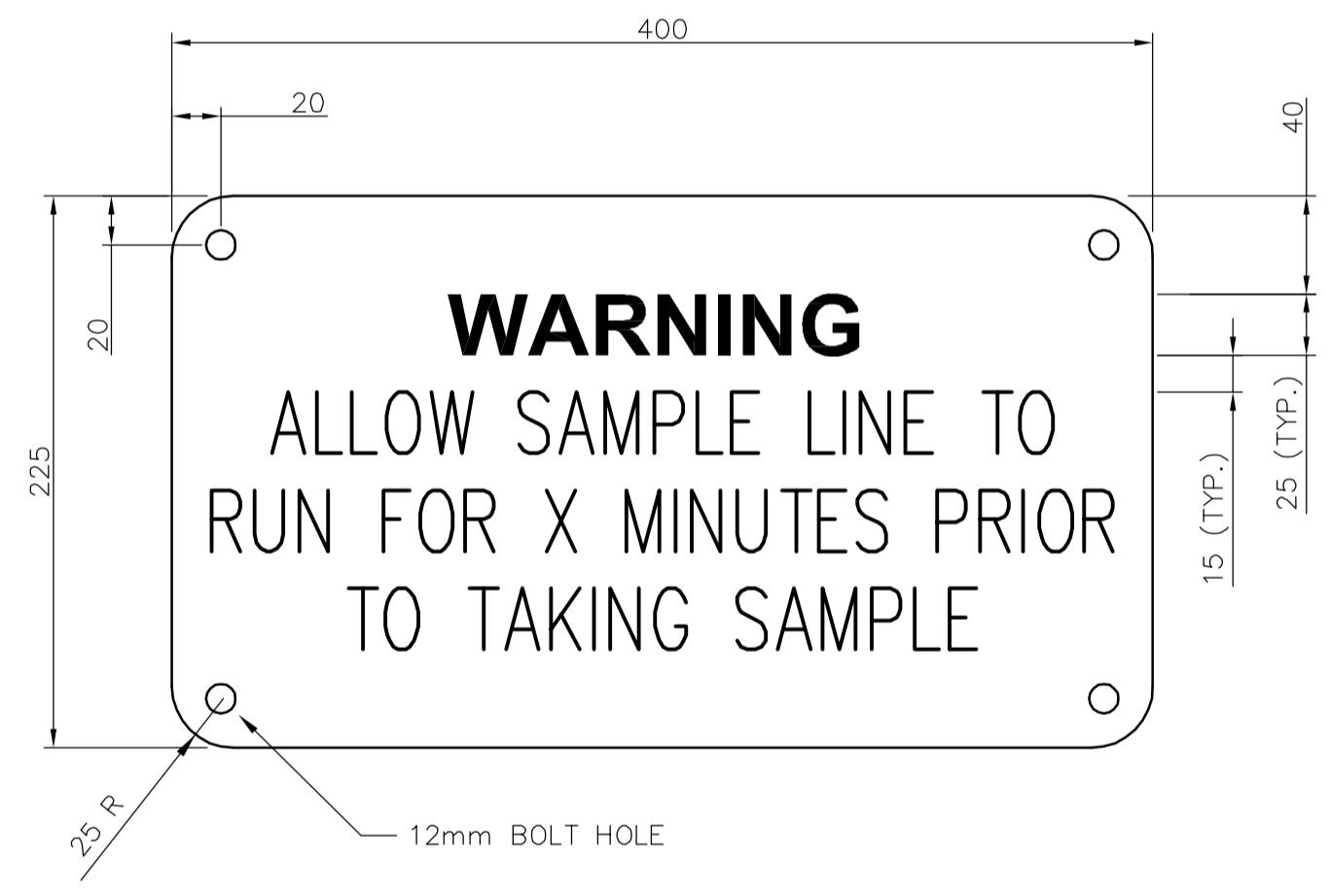


STD 626 TYPE 3 - HOSE STATION (RAILING MOUNTED)



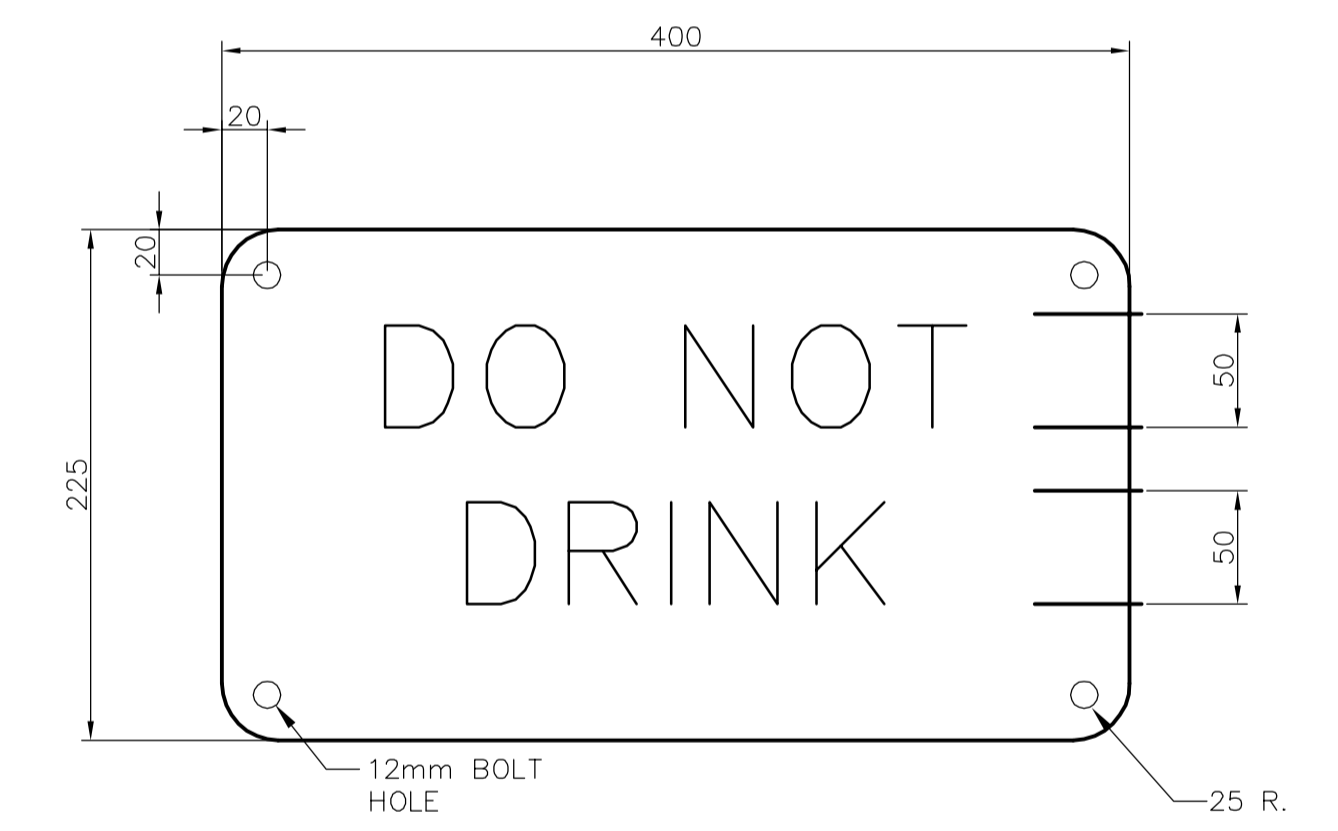
- NOTES:**
1. WARNING SIGN SHALL BE BAKED ENAMEL ON STEEL PLATE WITH WHITE LETTERING ON RED BACKGROUND.
 2. ROUND ALL SHARP EDGES.
 3. SIGN TO BE WALL MOUNTED.

STD 804 WARNING SIGN DETAIL



- NOTES:**
1. WARNING SIGN SHALL BE BAKED ENAMEL ON STEEL PLATE WITH WHITE LETTERING ON RED BACKGROUND.
 2. ROUND ALL SHARP EDGES.
 3. SIGN TO BE WALL MOUNTED.

STD 805 WARNING SIGN DETAIL



- NOTE:**
1. WARNING SIGN SHALL BE BAKED ENAMEL ON STEEL PLATE WITH WHITE LETTERING ON RED BACKGROUND.
 2. ROUND ALL SHARP EDGES.

STD 805 WARNING SIGN DETAIL



B.M. ELEV.		EarthTech A Tyco International Ltd. Company		ENGINEER'S SEAL	
DESIGNED BY	CL	CHECKED BY	KM	ORIGINAL SIGNED BY	J.E. HUTCHISON
DRAWN BY	SRP	APPROVED BY	JEH	DATE	2006/04/26
HOR. SCALE: NONE		RELEASED FOR CONSTRUCTION BY:		CONSULTANT DRAWING NO. LP2.05	
VERTICAL SCALE: NONE		J. VEILLEUX		AREA L - GENERAL & SITWORKS STANDARD DETAILS	
NO.	REVISIONS	DATE	DATE	CITY FILE NUMBER	
01	21-2006 ADDENDUM 6	06/06/30	JBC	SHEET OF	
00	ISSUED FOR TENDER	06/04/26	SRP	CITY DRAWING NUMBER	
NO.	REVISIONS	DATE	DATE	CITY DRAWING NUMBER	
		2005/10/06	2006/04/26		

THE CITY OF WINNIPEG
WATER AND WASTE DEPARTMENT
ENGINEERING DIVISION

WEWPC
BIOLOGICAL NUTRIENT REMOVAL UPGRADE
CONTRACT 3

PROCESS
AREA L - GENERAL & SITWORKS
STANDARD DETAILS