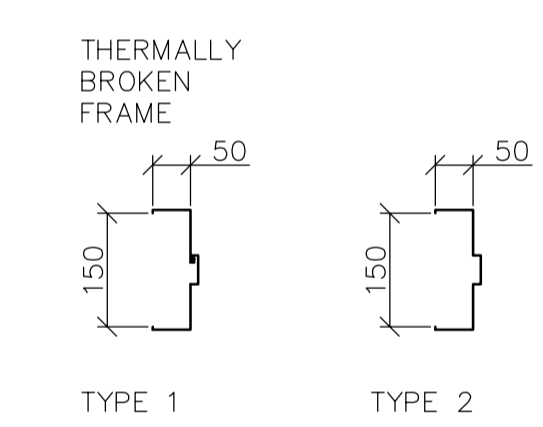


HARDWARE SCHEDULE

GROUP	DOOR	ITEM	QUANTITY	UNIT	DESCRIPTION		
GROUP 1	D101, D102A (RATED)	6 BUTT HINGES	TA 314	115x100mm	NRP/McKINNEY		
		1 LOCKSET	AU5407	x ASA	YALE (W/CONST CYLINDER)		
		2 FLUSH BOLTS	F65		STANDARD METAL		
		2 WEATHERSTRIP	W29	1/6 + 2/7	KN CROWDER		
		2 DOOR SWEEP	W245	- 900 & 600mm	KN CROWDER		
		1 THRESHOLD	CT11	- 1800	KN CROWDER		
		1 ASTRAGAL	W40P	- 2100	KN CROWDER		
		1 KICKPLATE	K10C		STANDARD METAL		
		1 CLOSER	4040		LCN		
		GROUP 2	D104B, D202B, D103C	3 BUTT HINGES	TA 314	115x100mm	NRP/McKINNEY
1 EXIT DEVICE	35A SERIES				VON DUPRIN		
1 WEATHERSTRIP	W29			1/3 + 2/7	KN CROWDER		
1 DOOR SWEEP	W245			- 900mm	KN CROWDER		
1 THRESHOLD	CT11			- 900mm	KN CROWDER		
1 CLOSER	4040				LCN		
1 KICKPLATE	K10C				STANDARD METAL		
1 BLANK (NO HARDWARE) ON EXTERIOR							
GROUP 3	D201A, D202 (RATED)			3 BUTT HINGES	TA 314	115x100mm	NRP/McKINNEY
				1 LOCKSET	AU5402	x ASA	YALE (WITHOUT CYLINDER)
		1 WALL STOP	S122		STANDARD METAL		
		1 KICKPLATE	K10F		STANDARD METAL		
		1 CLOSER	1461		LCN		
GROUP 4	D104A,	3 BUTT HINGES	TA 314	115x100mm	NRP/McKINNEY		
		1 LOCKSET	AU5402	x ASA	YALE (W/CONST CYLINDER)		
		1 WALL STOP	S122		STANDARD METAL		
		1 KICKPLATE	K10C		STANDARD METAL		
		1 CLOSER	4040		LCN		
GROUP 5	D103A, D103B	6 BUTT HINGES	TA 314	115x100mm	NRP/McKINNEY		
		1 LOCKSET	AU5407	x ASA	YALE (W/CONST CYLINDER)		
		2 FLUSH BOLTS	F65		STANDARD METAL		
		2 DOOR SWEEP	W245	- 900 & 600mm	KN CROWDER		
		1 ASTRAGAL	W40P	- 2100	KN CROWDER		
		1 KICKPLATE	K10C		STANDARD METAL		

NOTE: ALL KICKPLATES TO BE MOUNTED ON PUSH SIDE



FRAME TYPES
SCALE: 1:10

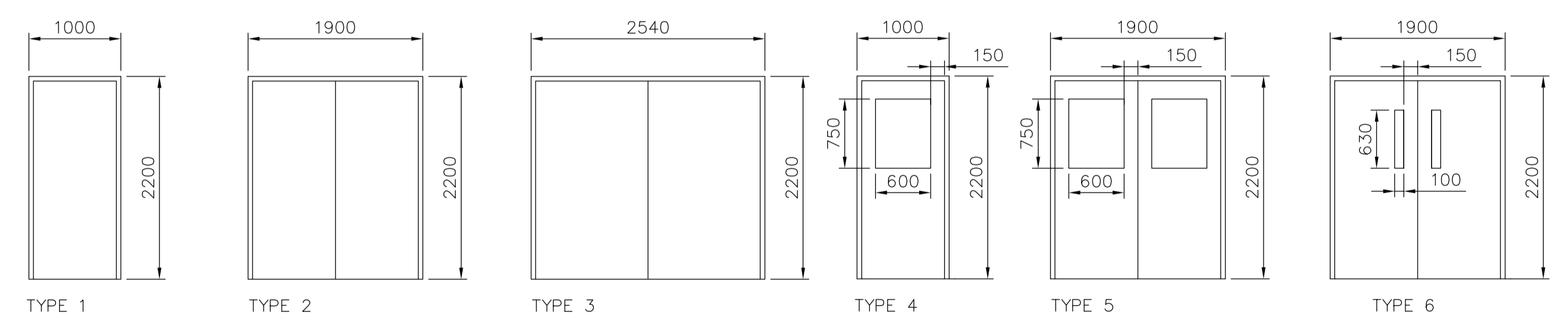
1 ROOF PLAN
TA1.01 1:100

NOTE: SEE STRUCTURAL FOR STAIR CONSTRUCTION

2 MAIN FLOOR PLAN
TA1.01 1:100

DOOR SCHEDULE																	
DOOR NO	TO ROOM	DOOR				FRAME				HDW GROUP	FIRE RATING	GRILLES	COMMENTS				
		SIZE	SWING	TYPE	MAT	CORE	FINISH	COLOUR	PROFILE					MAT	TYPE	FINISH	COLOUR
D101	VESTIBULE	45x900x2150	LHR	6	HM	HC	PT	A	2	HM	WLD	PT	A	1	1 1/2 HR	N/A	LHR ACTIVE
D102A	PROCESS	45x900x2150	LH	5	HM	HC	PT	A	2	HM	WLD	PT	A	1	45 MIN	N/A	LHR ACTIVE
D102B	PROCESS	50x3100x2700	O/H	N/A	METAL	INSUL	PREFIN	A	N/A	N/A	N/A	N/A	B	N/A	N/A	N/A	ROLL-UP PACKAGE
D103A	POLYMER	45x1220x2150	LH	3	HM	HC	PT	A	2	HM	WLD	PT	A	1	N/A	N/A	LHR ACTIVE
D103B	POLYMER	45x1220x2150	RH	3	HM	HC	PT	A	2	HM	WLD	PT	A	1	N/A	N/A	LHR ACTIVE
D103C	EXTERIOR	45x900x2150	LH	1	HM	INSUL	PT	A	1	HM	WLD	PT	A	2	N/A	N/A	
D104A	EXTERIOR	45x900x2150	RH	1	HM	INSUL	PT	A	1	HM	WLD	PT	A	2	N/A	N/A	
D104B	EXTERIOR	45x900x2150	RH	1	HM	INSUL	PT	A	1	HM	WLD	PT	A	2	N/A	N/A	
D104C	EXTERIOR	45x900x2150	LH	1	HM	INSUL	PT	A	1	HM	WLD	PT	A	2	N/A	N/A	
D104C	DAF EQUIPMENT	50x4700x4200	O/H	N/A	METAL	INSUL	PREFIN	A	N/A	N/A	N/A	N/A	B	N/A	N/A	N/A	ROLL-UP PACKAGE

FINISH SCHEDULE																						
ROOM NO	ROOM NAME	FLOOR				WALLS								CEILING		COMMENTS						
		FLOORING		BASE		NORTH		EAST		SOUTH		WEST		CEILING								
		MAT	COLOUR	MAT	COL	MAT	FINISH	COLOUR	MAT	FINISH	COLOUR	MAT	FINISH	COLOUR	MAT		FINISH	COLOUR	HGT	AFF		
101	VESTIBULE	EPOXY	A	EPXY COV	A	CB	PT	C	CB	PT	C	CB	PT	C	CB	PT	C	METAL	PT	D.GRAY	2900	
102	PROCESS	EPOXY	A	EPXY COV	A	CB	PT	C	CB	PT	C	CB	PT	C	CB	PT	C	METAL	PT	D.GRAY	+/-8150	
103	POLYMER	EPOXY	A	EPXY COV	A	CB	PT	C	CB	PT	C	CB	PT	C	CB	PT	C	METAL	PT	D.GRAY	4100	
104	DAF EQUIPMENT	EPOXY	A	EPXY COV	A	CB	PT	C	CB	PT	C	CB	PT	C	CB	PT	C	METAL	PT	D.GRAY	+/-8150	



DOOR TYPES
SCALE: 1:50

<p>B.M. ELEV.</p>	<p>EarthTech A Tyco International Ltd. Company</p>				<p>ENGINEER'S SEAL</p>		<p>THE CITY OF WINNIPEG WATER AND WASTE DEPARTMENT ENGINEERING DIVISION</p>		
	<p>DESIGNED BY: NC</p>		<p>CHECKED BY: NC</p>		<p>ORIGINAL SIGNED BY: N. COOPER</p>		<p>DATE: 2006/04/26</p>		
	<p>DRAWN BY: LK/AL</p>		<p>APPROVED BY: JEH</p>		<p>DATE: 2006/04/26</p>		<p>WEWPC BIOLOGICAL NUTRIENT REMOVAL UPGRADE CONTRACT No. 3</p>		
	<p>HOR. SCALE: AS NOTED</p>		<p>RELEASED FOR CONSTRUCTION BY: J. VEILLEUX</p>		<p>CONSULTANT DRAWING NO. TA1.01</p>		<p>CITY FILE NUMBER</p>		
<p>NO. REVISIONS</p>		<p>DATE</p>		<p>DATE</p>		<p>DATE</p>		<p>SHEET 1 OF 6</p>	
<p>2006/01/03</p>		<p>2006/04/26</p>		<p>2006/01/03</p>		<p>2006/04/26</p>		<p>CITY DRAWING NUMBER</p>	

