

CAP FLASHING W/ DRIPEDGE (100 DN-TYP)
WOOD BLOCKING
OVERLAP SA MEMBRANE OVER DRIPFLASH 100mm MIN AS SHOWN

OVERLAP ROOF/WALL AVB AS SHOWN
13mm PT PLYWOOD
38mm RIGID INSULATION
75mm RIGID INSULATION
APPLY SELF-ADHESIVE TORCHABLE MEMBRANE @ WALL AND LAP BASE PLY 200mm OVER AS SHOWN - CARRY SOPRA-FLAM OVER PARAPET AND LAP AS SHOWN
ADDITIONAL CAP PLY

NOTE: SEE BUILDING SECTION 1/A3.01 FOR TYPICAL PARAPET CONSTRUCTION

LAP AVB 100mm MIN OVER FLASH AS SHOWN (TYP)
WEEP SLOT @ 600 O/C
DRIP FLASH
16 GA GI SKIRTING FASTENED TO THERMOSTUDS
T/O LEDGER ANGLE EL. 241.300

LAP AVB 100mm MIN OVER FLASH AS SHOWN (TYP)
WEEP SLOT @ 600 O/C
DRIP FLASH
GRADE

RIGID INSULATION & MOISTURE BARRIER DOWN TO T/O PILE (TYP)

GI SKIRTING
RIGID INSULATION & MOISTURE BARRIER DOWN TO BOTTOM OF GRADE BEAM (TYP)
GRANULAR BACKFILL

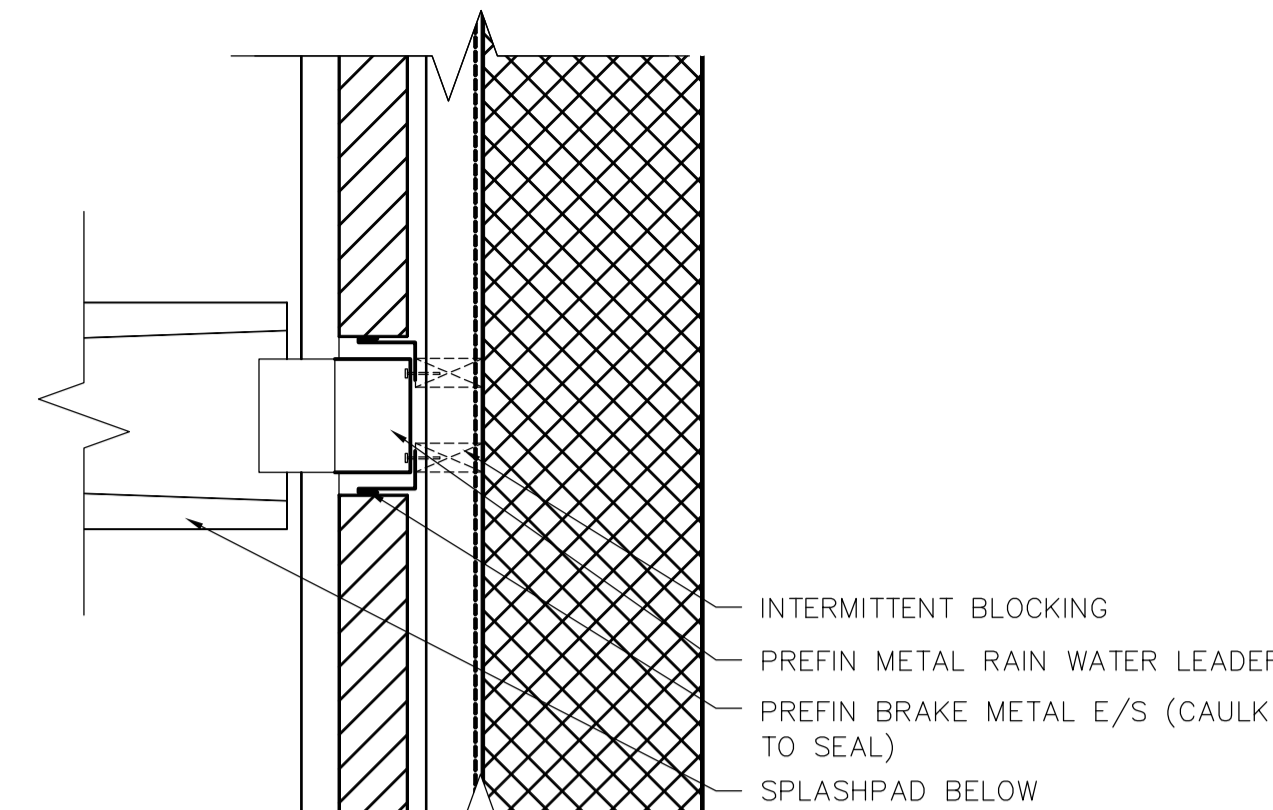
GRANULAR BACKFILL
PROTECTION BOARD
PILE AND PILE CAP BEYOND

PROTECTION BOARD

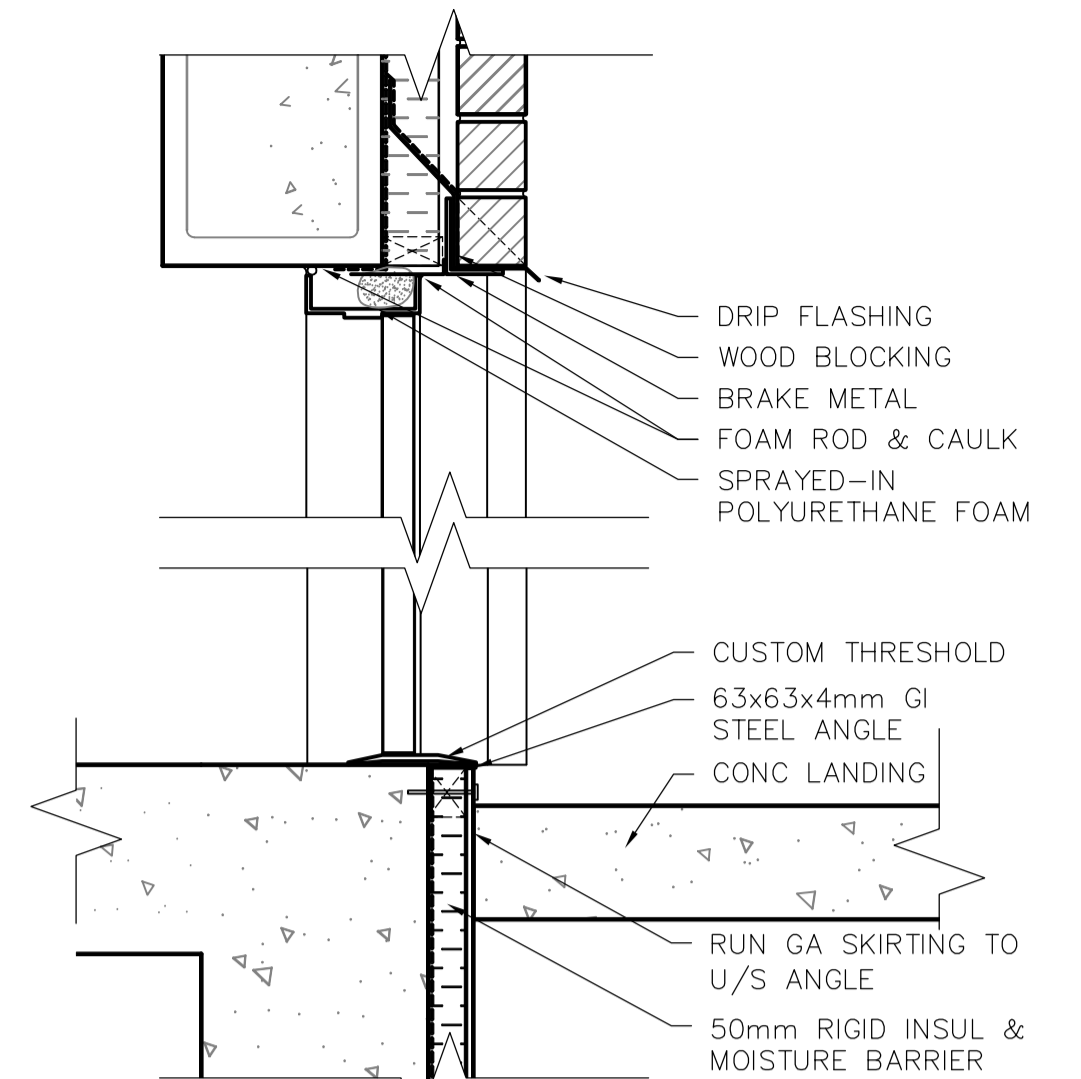
VOID FORM

1 TYPICAL WALL SECTION
TA3.01 1:10

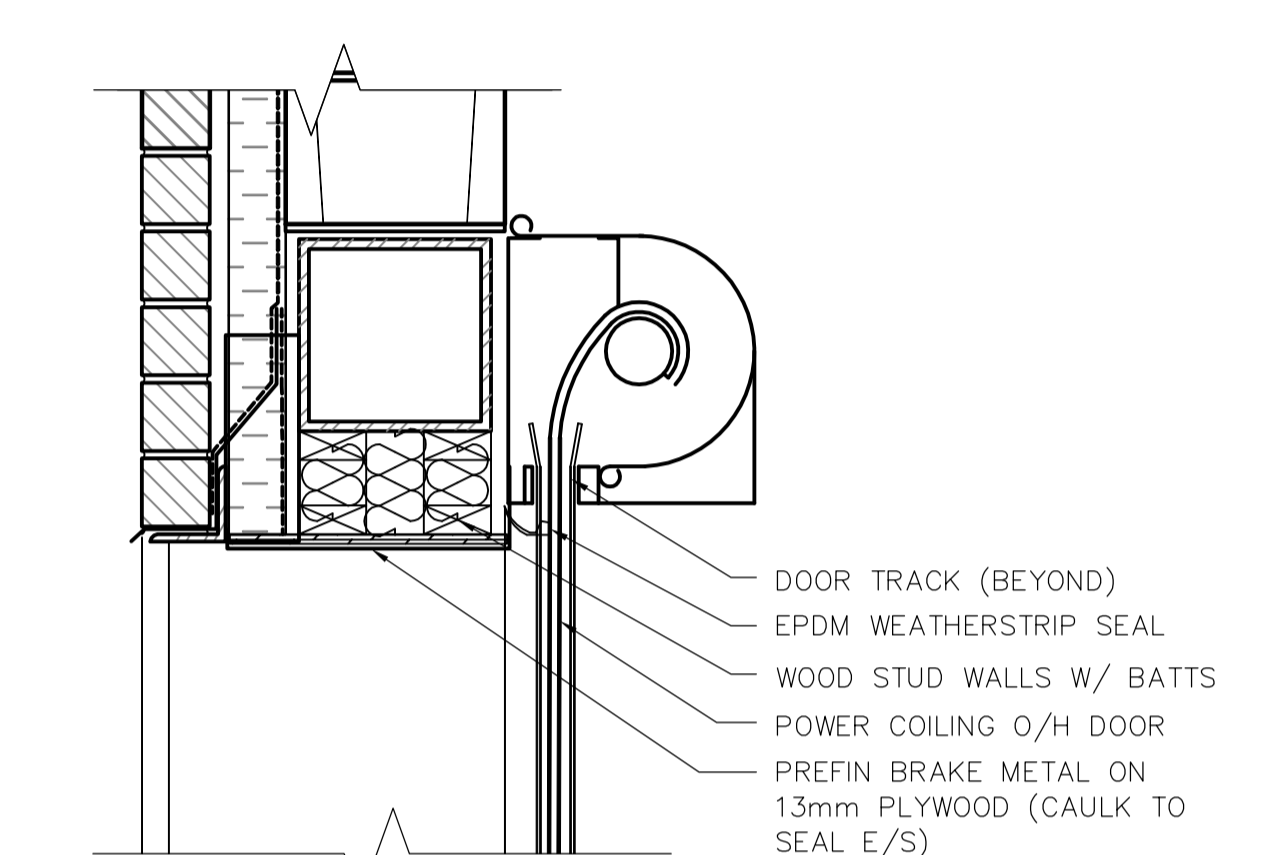
2 TYPICAL WALL SECTION
TA3.01 1:10



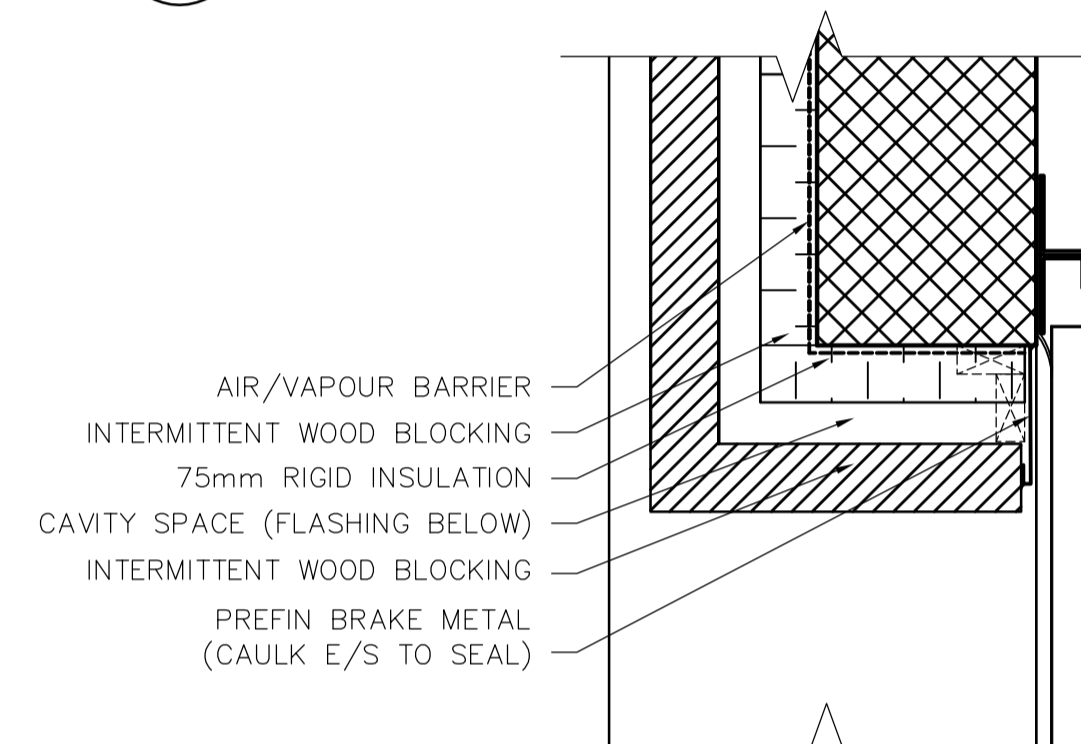
3 RAIN WATER LEADER PLAN DETAIL
TA1.01 1:10



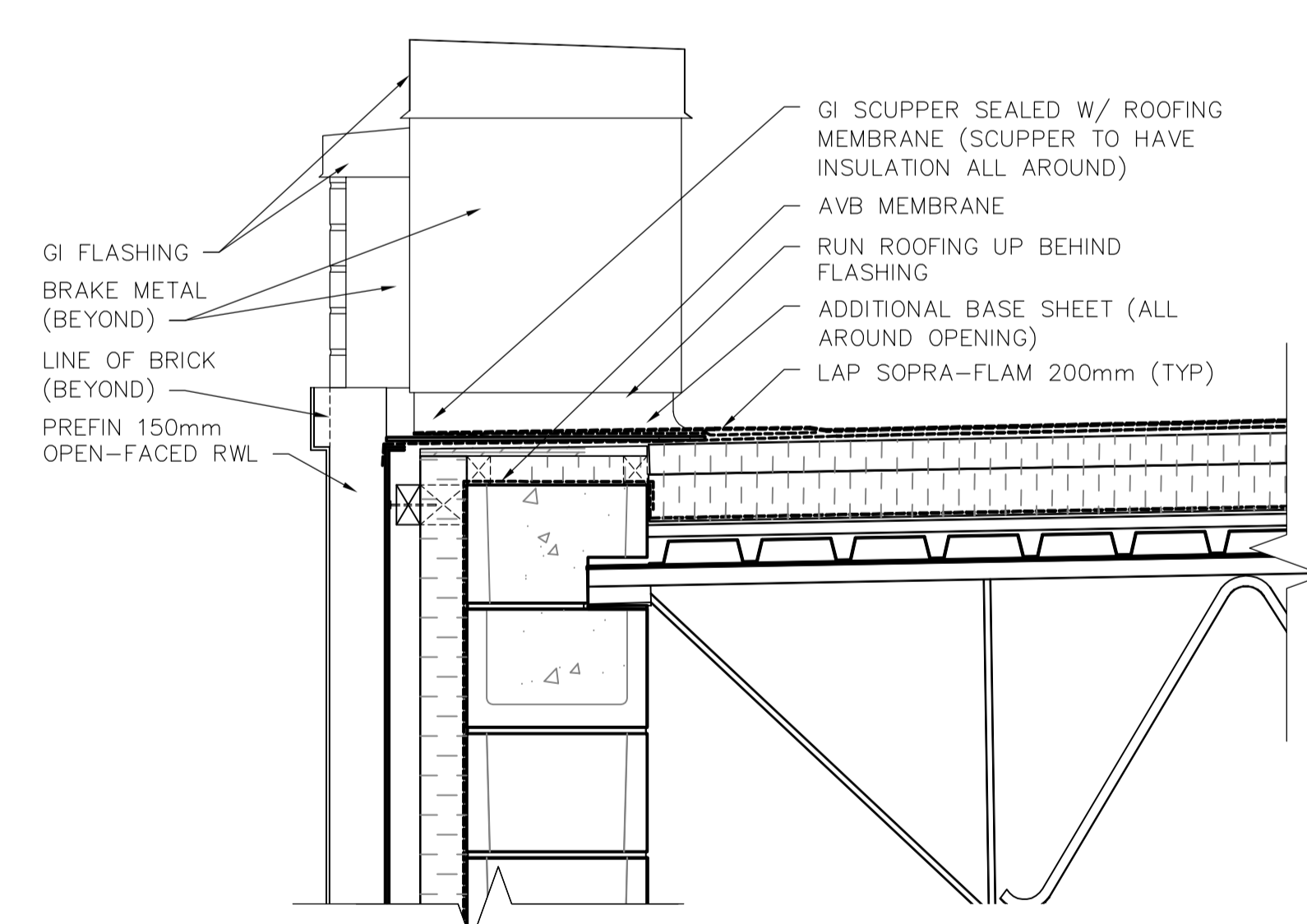
4 DOOR HEAD/SILL SECTION DETAIL
TA1.01 1:10



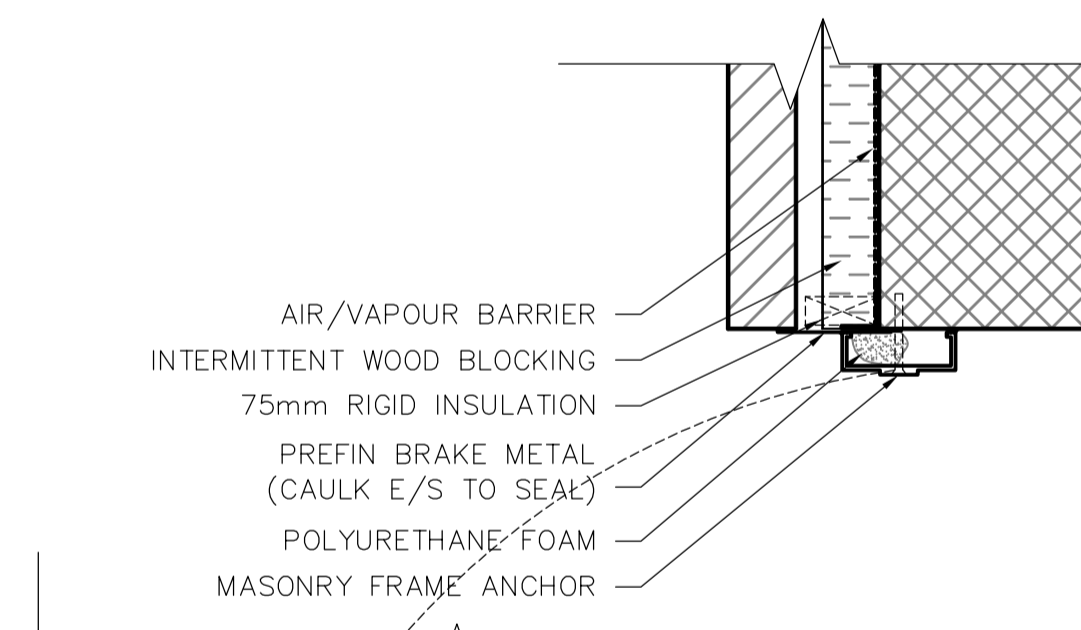
5 O/H DOOR HEAD DETAIL
TA3.01 1:10



6 O/H DOOR JAMB DETAIL
TA1.01 1:10



7 SCUPPER SECTION DETAIL
TA1.01 1:10



8 DOOR JAMB DETAIL (TYP)
TA1.01 1:10



B.M. ELEV.	DESIGNED BY	CHECKED BY	SCALE:	RELEASED FOR CONSTRUCTION BY:
	NC	NC	AS SHOWN	J. VEILLEUX
	LK/AL	JEH		
01	21-2006 ADDENDUM 06	06/06/30	LK	
00	ISSUED FOR TENDER	06/04/26	LK	
NO.	REVISIONS	DATE	BY	DATE
		2006/01/24		2006/04/26



ENGINEER'S SEAL
ORIGINAL SIGNED BY
N. COOPER
2006/04/26
CONSULTANT DRAWING NO.
TA4.01

THE CITY OF WINNIPEG
WATER AND WASTE DEPARTMENT
ENGINEERING DIVISION

WEWPC
BIOLOGICAL NUTRIENT REMOVAL UPGRADE
CONTRACT No. 3
ARCHITECTURAL
AREA T - DAF THICKENER BUILDING
DETAILS
CITY FILE NUMBER
SHEET 5 OF 6
CITY DRAWING NUMB